

DATA SHEET

TDA5744; TDA5745

Low power mixers/oscillators for
hyperband tuners

Preliminary specification
File under Integrated Circuits, IC02

1998 Mar 09

Low power mixers/oscillators for hyperband tuners

TDA5744; TDA5745

FEATURES

- Mixers/oscillators for hyperband tuners
- Balanced mixer with a common emitter input for VHF (single input)
- Balanced mixer with a common base input for UHF (double input)
- 4-pin common emitter oscillator for VHF
- 4-pin common emitter oscillator for UHF
- Electronic band switch
- IF amplifier with a low output impedance to drive the SAW filter directly ($\approx 2 \text{ k}\Omega$ load)
- Low power, low radiation and small size
- Pin compatible single-chip synthesizer mixer/oscillator for Full Scale Tuners (FST) are available: TDA6404, TDA6405 and TDA6405A.

APPLICATIONS

- Hyperband tuners for Europe using a 2-band mixer/oscillator in a switched concept.

GENERAL DESCRIPTION

The TDA5744 and TDA5745 are 2-band mixers/oscillators intended for VHF/UHF and hyperband tuners (see Fig.1).

The Integrated Circuits (ICs) include two double balanced mixers and two oscillators, for the VHF and UHF band, and an IF amplifier. With proper oscillator application and by using a switchable inductor to split the VHF band into two sub-bands (the full VHF/UHF and hyperband) the TV bands can be covered. Two pins are available between the mixer output and the IF amplifier input to enable IF filtering for improved signal handling. Band selection is made by band switch pin BS.

QUICK REFERENCE DATA

SYMBOL	PARAMETER	CONDITIONS	MIN.	TYP.	MAX.	UNIT
V_{CC}	supply voltage	operating	4.5	5	5.5	V
I_{CC}	supply current		–	58	–	mA
T_{stg}	IC storage temperature		–40	–	+150	°C
T_{amb}	operating ambient temperature		–20	–	+85	°C
$f_{i(RF)}$	RF input frequency	VHF band	45.25	–	399.25	MHz
		UHF band	407.25	–	855.25	MHz
G_V	voltage gain	VHF band	–	27	–	dB
		UHF band	–	38	–	dB
F	noise figure	VHF band	–	8	–	dB
		UHF band	–	8.5	–	dB
V_o	output voltage causing 1% cross modulation in channel	VHF band	–	119	–	dB μ V
		UHF band	–	118	–	dB μ V

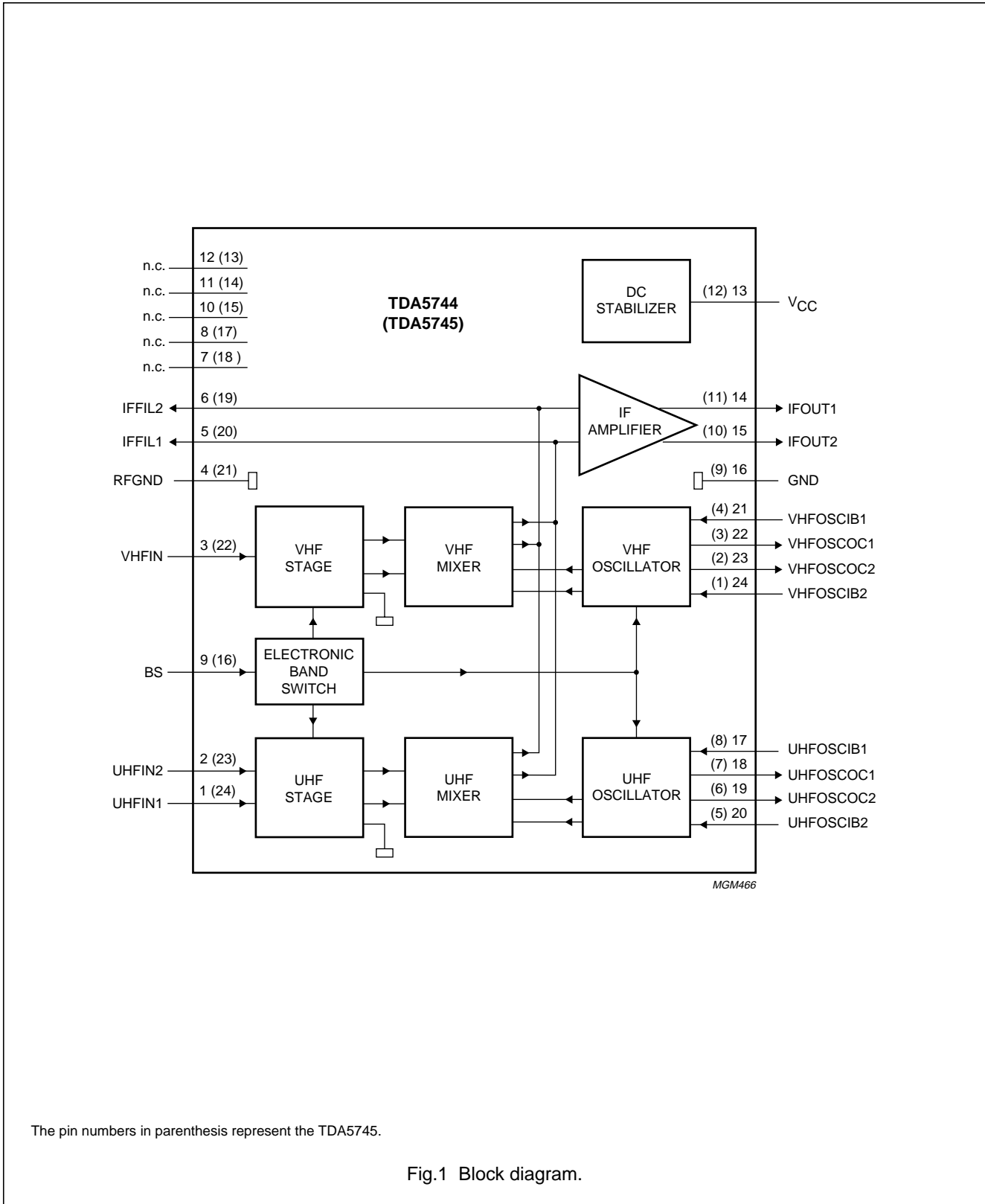
ORDERING INFORMATION

TYPE NUMBER	PACKAGE		
	NAME	DESCRIPTION	VERSION
TDA5744TS; TDA5745TS	SSOP24	plastic shrink small outline package; 24 leads; body width 5.3 mm	SOT340-1

Low power mixers/oscillators for hyperband tuners

TDA5744; TDA5745

BLOCK DIAGRAM



The pin numbers in parenthesis represent the TDA5745.

Fig.1 Block diagram.

Low power mixers/oscillators for hyperband tuners

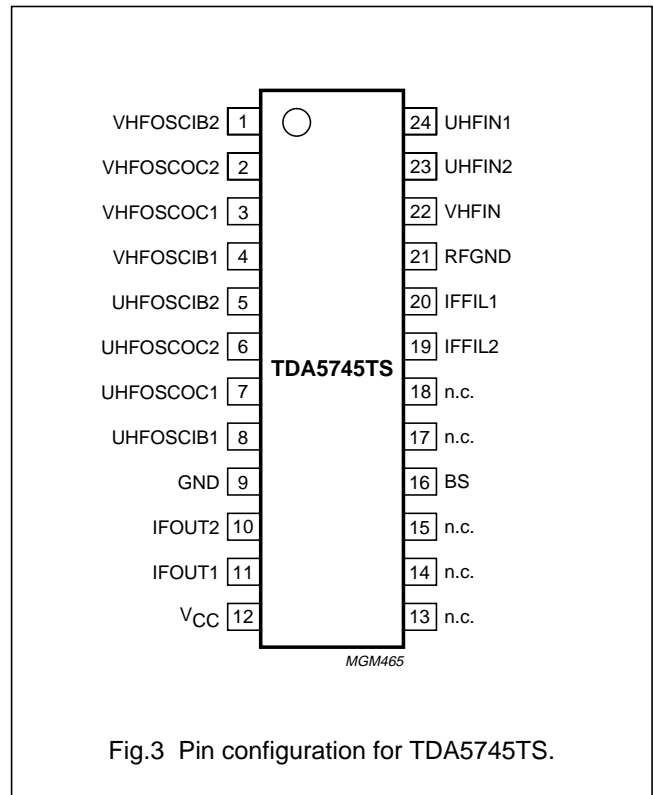
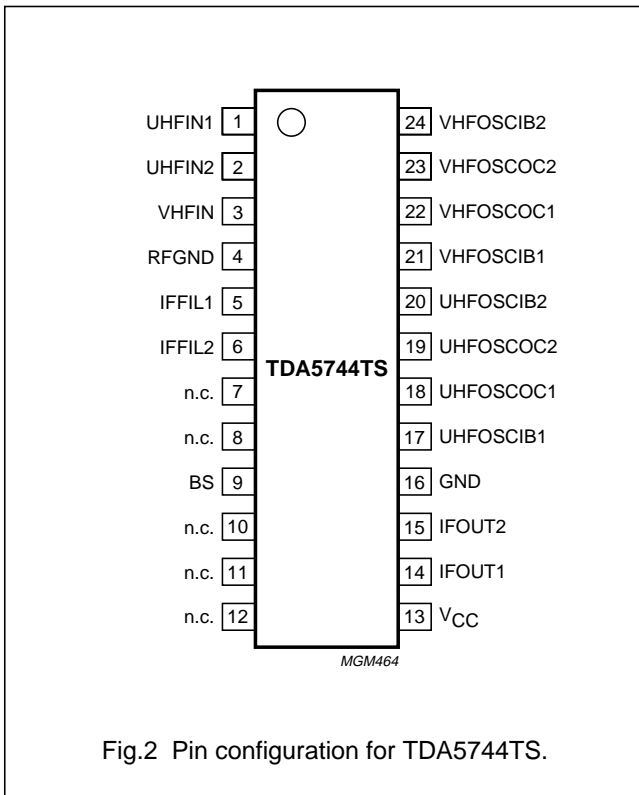
TDA5744; TDA5745

PINNING

SYMBOL	PIN		DESCRIPTION
	TDA5744	TDA5745	
UHFIN1	1	24	UHF input 1
UHFIN2	2	23	UHF input 2
VHFIN	3	22	VHF input
RFGND	4	21	RF ground
IFFIL1	5	20	IF filter output 1
IFFIL2	6	19	IF filter output 2
n.c.	7	18	not connected
n.c.	8	17	not connected
BS	9	16	electronic band switch
n.c.	10	15	not connected
n.c.	11	14	not connected
n.c.	12	13	not connected
V _{CC}	13	12	supply voltage
IFOUT1	14	11	IF amplifier output 1
IFOUT2	15	10	IF amplifier output 2
GND	16	9	ground
UHFOSCIB1	17	8	UHF oscillator base input 1
UHFOSCOC1	18	7	UHF oscillator collector output 1
UHFOSCOC2	19	6	UHF oscillator collector output 2
UHFOSCIB2	20	5	UHF oscillator base input 2
VHFOSCIB1	21	4	VHF oscillator base input 1
VHFOSCOC1	22	3	VHF oscillator collector output 1
VHFOSCOC2	23	2	VHF oscillator collector output 2
VHFOSCIB2	24	1	VHF oscillator base input 2

Low power mixers/oscillators for hyperband tuners

TDA5744; TDA5745



Low power mixers/oscillators for hyperband tuners

TDA5744; TDA5745

LIMITING VALUES

In accordance with the Absolute Maximum Rating System (IEC 134).

SYMBOL	PARAMETER	MIN.	MAX.	UNIT
$I_{O(n)}$	output current of each pin to ground: for TDA5744; pins 1 to 6, 9 and 13 to 24 for TDA5745; pins 1 to 12, 16 and 19 to 24	–	–10	mA
$t_{sc(max)}$	maximum short-circuit time (all pins to V_{CC} and all pins to GND and RFGND)	–	10	s
T_{stg}	IC storage temperature	–40	+150	°C
T_{amb}	operating ambient temperature	–20	+85	°C
T_j	junction temperature	–	150	°C

THERMAL CHARACTERISTICS

SYMBOL	PARAMETER	CONDITIONS	VALUE	UNIT
$R_{th(j-a)}$	thermal resistance from junction to ambient	in free air	119	K/W

CHARACTERISTICS

 $V_{CC} = 5\text{ V}$; $T_{amb} = 25\text{ °C}$; unless otherwise specified; measured in Fig.11.

SYMBOL	PARAMETER	CONDITIONS	MIN.	TYP.	MAX.	UNIT
Supplies						
V_{CC}	supply voltage		4.5	5	5.5	V
I_{CC}	supply current		–	58	65	mA
$V_{sw(VHF)}$	VHF band switching voltage		0	–	2	V
$V_{sw(UHF)}$	UHF band switching voltage		3	–	V_{CC}	V
$I_{sw(VHF)}$	VHF band switching current		–	–	2	μA
$I_{sw(UHF)}$	UHF band switching current	$V_{sw(UHF)} = 5\text{ V}$	–	4.5	10	μA
IF amplifier						
S_{22}	output reflection coefficient	magnitude	–	–12.5	–	dB
		phase	–	1.4	–	deg
R_s	real part of $Z_o = R_s + j\omega L_s$		–	81	–	Ω
L_s	imaginary part of $Z_o = R_s + j\omega L_s$		–	9.5	–	nH
VHF mixer (including IF amplifier)						
$f_{i(RF)}$	RF input frequency	picture carrier frequency	45.25	–	399.25	MHz
F	noise figure	$f_{RF} = 50\text{ MHz}$; see Figs 8 and 9	–	7	9	dB
		$f_{RF} = 150\text{ MHz}$; see Figs 8 and 9	–	8	10	dB
		$f_{RF} = 300\text{ MHz}$	–	9	11	dB
g_{os}	optimum source conductance for noise figure	$f_{RF} = 50\text{ MHz}$	–	0.7	–	mS
		$f_{RF} = 150\text{ MHz}$	–	0.9	–	mS
		$f_{RF} = 300\text{ MHz}$	–	1.5	–	mS

Low power mixers/oscillators for hyperband tuners

TDA5744; TDA5745

SYMBOL	PARAMETER	CONDITIONS	MIN.	TYP.	MAX.	UNIT
g _i	input conductance	f _{RF} = 45.25 MHz	–	0.25	–	mS
		f _{RF} = 399.25 MHz	–	0.5	–	mS
C _i	input capacitance	f _{RF} = 45.25 to 399.25 MHz	–	2	–	pF
V _o	output voltage causing 1% cross modulation in channel	f _{RF} = 45.25 MHz; see Fig.6	116	119	–	dBμV
		f _{RF} = 399.25 MHz; see Fig.6	116	119	–	dBμV
V _i	input voltage causing pulling in channel (750 Hz)	f _{RF} = 399.25 MHz; note 1	–	88	–	dBμV
G _V	voltage gain	f _{RF} = 45.25 MHz; see Fig.4	24.5	27	29.5	dB
		f _{RF} = 399.25 MHz; see Fig.4	24.5	27	29.5	dB
VHF oscillator						
f _{osc}	oscillator frequency		84.15	–	438.15	MHz
Δf _{osc(V)}	oscillator frequency shift with supply voltage	ΔV _{CC} = 5%; note 2	–	100	200	kHz
		ΔV _{CC} = 10%; worst case in the frequency range; note 2	–	200	–	kHz
Δf _{osc(T)}	oscillator frequency drift with temperature	ΔT = 25 °C without compensation: NP0 capacitors; worst case in the frequency range; note 3	–	1300	tbf	kHz
Δf _{osc(t)}	oscillator frequency drift with time	worst case in the frequency range; note 4	–	600	tbf	kHz
Φ _{osc}	phase noise, carrier-to-noise sideband	±100 kHz frequency offset; worst case in the frequency range	–	106	–	dBc/Hz
RSC _(p-p)	ripple susceptibility of V _{CC} (peak-to-peak value)	V _{CC} = 5 V; worst case in the frequency range; ripple frequency 500 kHz; note 5	15	40	–	mV
UHF mixer (including IF amplifier)						
f _{i(RF)}	RF input frequency	picture carrier frequency	407.25	–	855.25	MHz
F	noise figure	f _{RF} = 407.25 MHz; see Fig.10	–	8	10	dB
		f _{RF} = 855.25 MHz; not corrected for image; see Fig.10	–	9	11	dB
R _s	real part of Z _i = R _s + jωL _s	f _{RF} = 407.25 MHz	–	30	–	Ω
		f _{RF} = 855.25 MHz	–	38	–	Ω
L _s	imaginary part of Z _i = R _s + jωL _s	f _{RF} = 407.25 MHz	–	9	–	nH
		f _{RF} = 855.25 MHz	–	6	–	nH
V _o	output voltage causing 1% cross modulation in channel	f _{RF} = 407.25 MHz; see Fig.7	116	119	–	dBμV
		f _{RF} = 855.25 MHz; see Fig.7	114	117	–	dBμV
V _i	input voltage causing pulling in channel (750 Hz)	f _{RF} = 855.25 MHz; note 1	–	78	–	dBμV
G _V	voltage gain	f _{RF} = 407.25 MHz; see Fig.4	35	38	41	dB
		f _{RF} = 855.25 MHz; see Fig.4	35	38	41	dB

Low power mixers/oscillators for hyperband tuners

TDA5744; TDA5745

SYMBOL	PARAMETER	CONDITIONS	MIN.	TYP.	MAX.	UNIT
UHF oscillator						
f_{osc}	oscillator frequency		446.15	–	894.15	MHz
$\Delta f_{osc(V)}$	oscillator frequency shift with supply voltage	$\Delta V_{CC} = 5\%$; note 2	–	30	80	kHz
		$\Delta V_{CC} = 10\%$; worst case in the frequency range; note 2	–	80	tbf	kHz
$\Delta f_{osc(T)}$	oscillator frequency drift with temperature	$\Delta T = 25\text{ }^{\circ}\text{C}$; with compensation; worst case in the frequency range; note 3	–	600	tbf	kHz
$\Delta f_{osc(t)}$	oscillator frequency drift with time	worst case in the frequency range; note 4	–	200	tbf	kHz
Φ_{osc}	phase noise, carrier-to-noise sideband	$\pm 100\text{ kHz}$ frequency offset; worst case in the frequency range	–	106	–	dBc/Hz
$RSC_{(p-p)}$	ripple susceptibility of V_{CC} (peak-to-peak value)	$V_{CC} = 5\text{ V}$; worst case in the frequency range; ripple frequency 500 kHz; note 5	15	20	–	mV
Rejection at the IF amplifier output						
INT_{CHX}	channel x beat	note 6	60	–	–	dBc
INT_{S02}	S02 beat	note 7	66	–	–	dBc

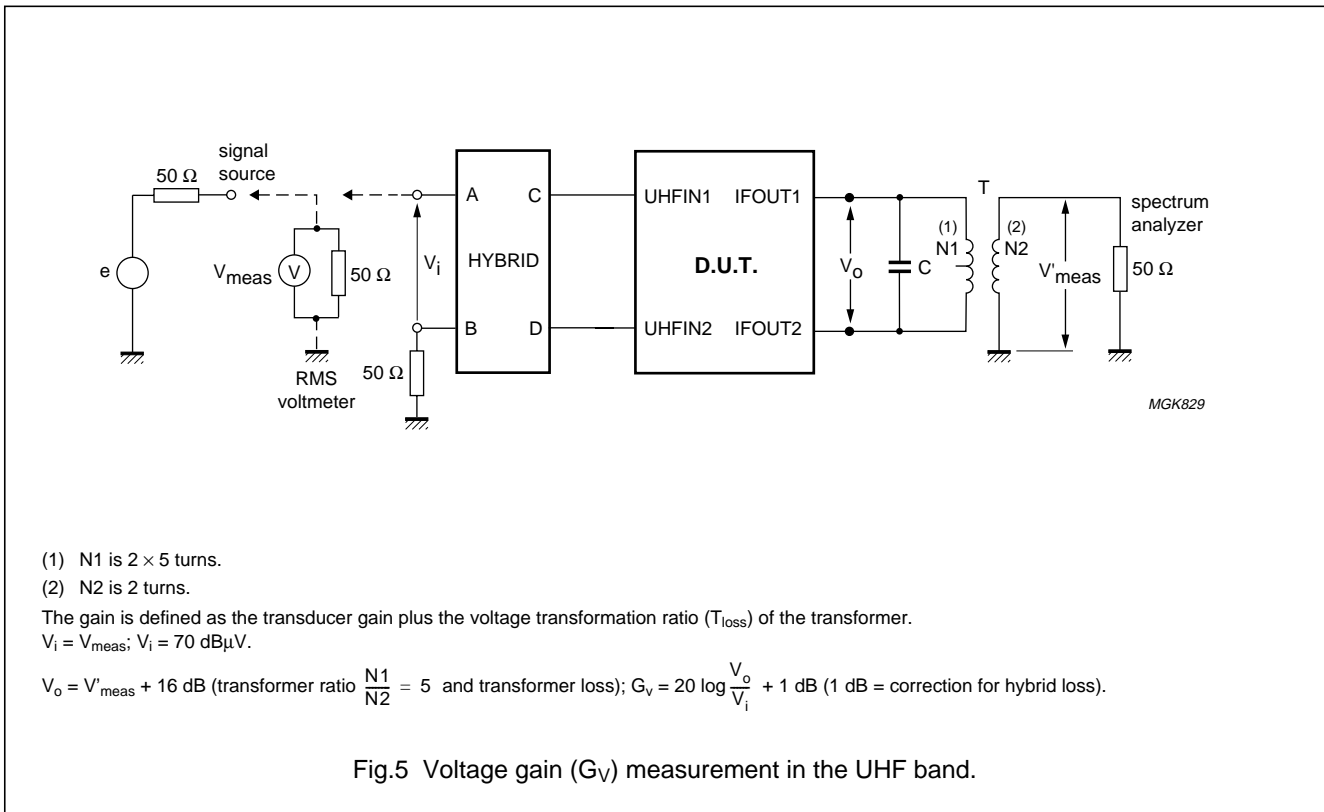
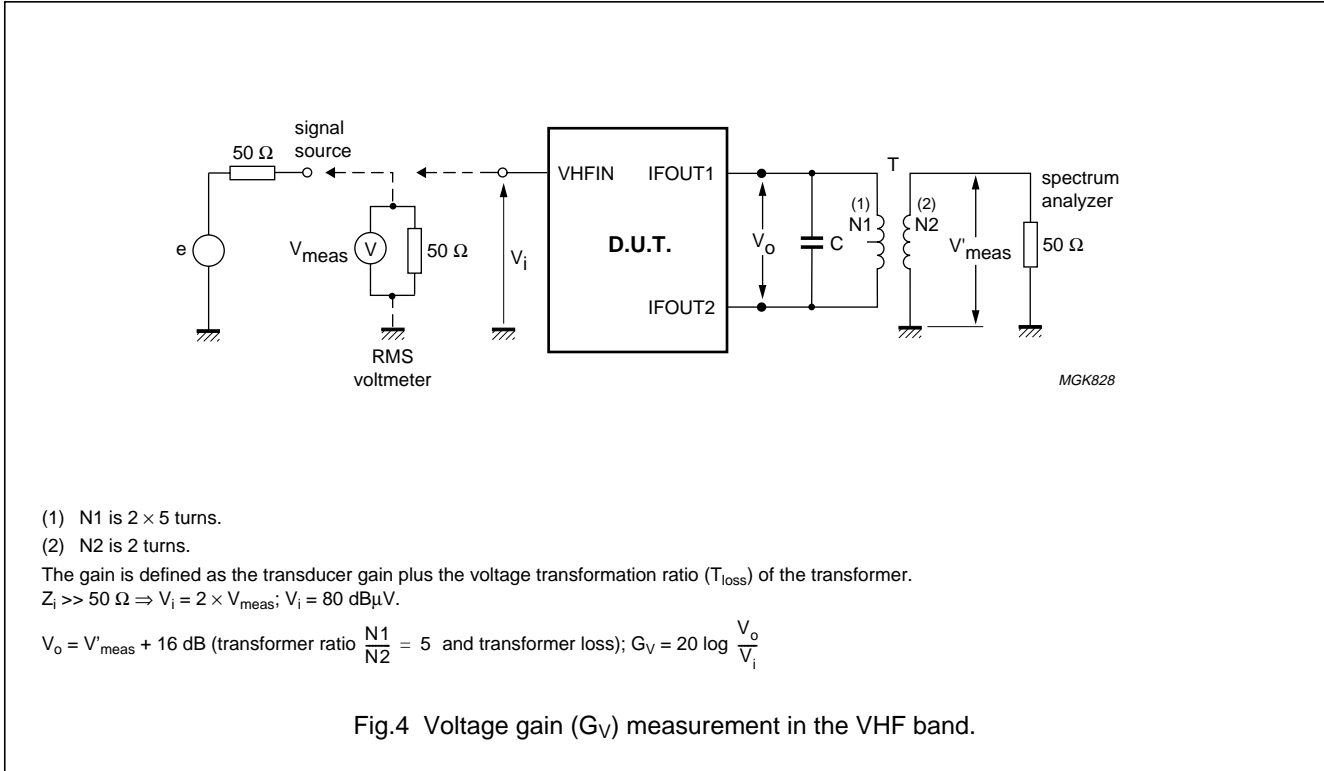
Notes

- This is the level of the RF signal (100% amplitude modulated with 11.89 kHz) that causes a 750 Hz frequency deviation on the oscillator signal; it produces sidebands 30 dB below the level of the oscillator signal.
- The frequency shift is defined as the change of the oscillator frequency when the supply voltage varies from $V_{CC} = 5$ to 4.5 V or from $V_{CC} = 5$ to 5.25 V. The oscillator is free-running during this measurement.
- The frequency drift is defined as the change of the oscillator frequency when the ambient temperature varies from $T_{amb} = 25$ to 0 °C or from $T_{amb} = 25$ to 50 °C. The oscillator is free-running during this measurement.
- The switching on drift is defined as the change of the oscillator frequency between 5 seconds and 15 minutes after switching on. The oscillator is free-running during this measurement.
- The ripple susceptibility is measured for a 500 kHz ripple at the IF amplifier output using the measurement circuit; the level of the ripple signal is increased until a difference of 53.5 dB between the IF carrier set at 100 dB μ V and the sideband components is reached.
- Channel x beat: picture carrier frequency (f_{pc}) and sound carrier frequency (f_{sc}) both at 80 dB μ V. The rejection of the interfering product $f_{pc(RF)} + f_{sc(RF)} - f_{osc}$ at 35.35 MHz should be >60 dB.
- Channel S02: f_{pc} is 76.25 MHz at 70 dB μ V; $f_{osc} = 115.15$ MHz. The rejection of $f_{osc} - 2 \times f_{IF} = 37.35$ MHz should be >66 dB.

Low power mixers/oscillators for hyperband tuners

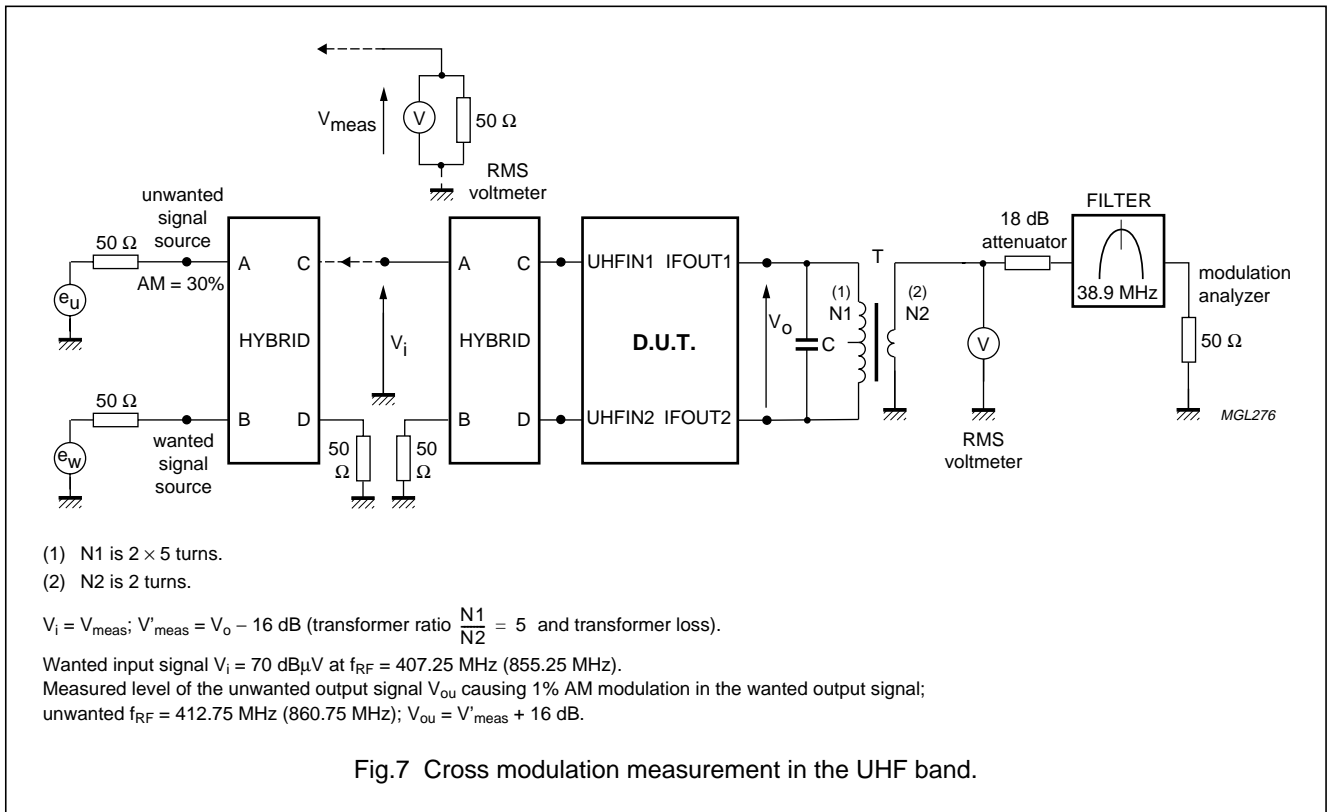
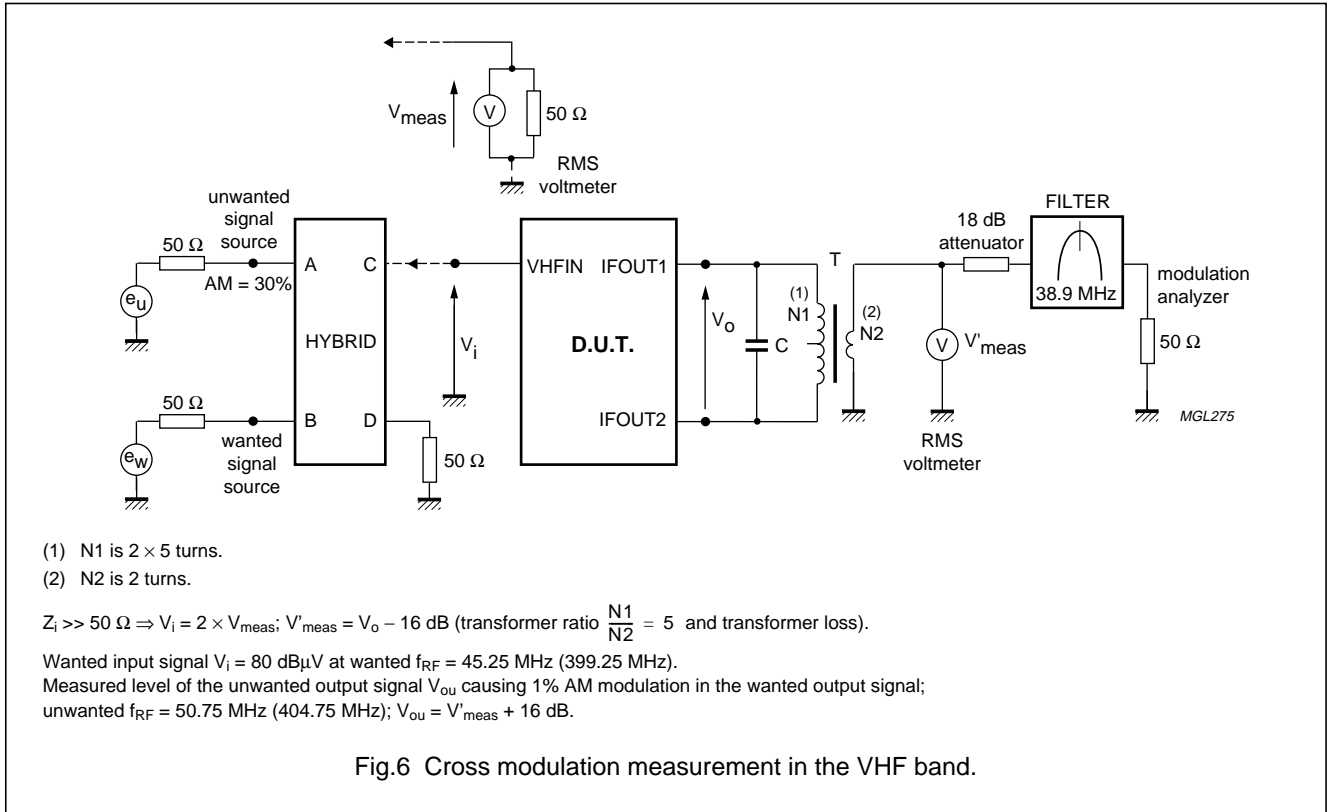
TDA5744; TDA5745

TEST AND APPLICATION INFORMATION



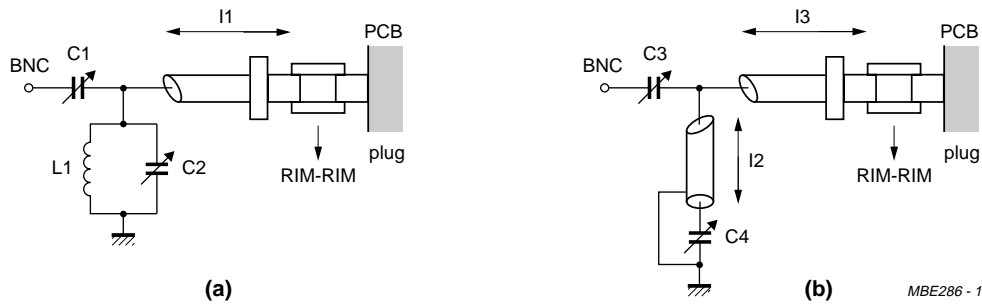
Low power mixers/oscillators for hyperband tuners

TDA5744; TDA5745



Low power mixers/oscillators for hyperband tuners

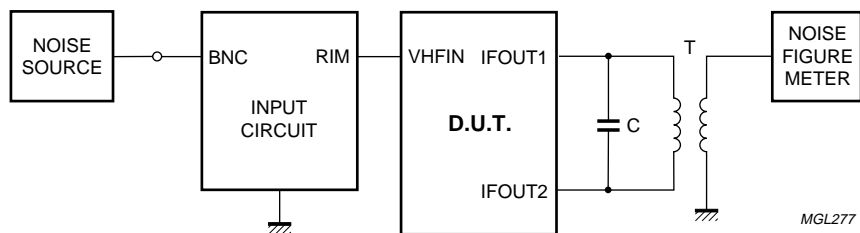
TDA5744; TDA5745



(a) For $f_{RF} = 50$ MHz:
 VHF mixer frequency response measured = 57 MHz;
 loss = 0 dB.
 Image suppression = 16 dB.
 $C1 = 1$ nF; $C2 = 2.2$ pF.
 $L1 = 7$ turns ($\varnothing 5.5$ mm; wire $\varnothing = 0.5$ mm).
 $l1 =$ semi rigid cable (RIM); 5 cm long.
 (semi rigid cable (RIM); 33 dB/100 m; 50 Ω ; 96 pF/m).

(b) For $f_{RF} = 150$ MHz:
 VHF mixer frequency response measured = 150.3 MHz;
 loss = 1.3 dB.
 Image suppression = 13 dB.
 $C3 = 1$ nF; $C4 = 2.2$ pF.
 $l2 =$ semi rigid cable (RIM); 30 cm long.
 $l3 =$ semi rigid cable (RIM); 5 cm long.
 (semi rigid cable (RIM); 33 dB/100 m; 50 Ω ; 96 pF/m).

Fig.8 Input circuit for optimum noise figure in the VHF band.

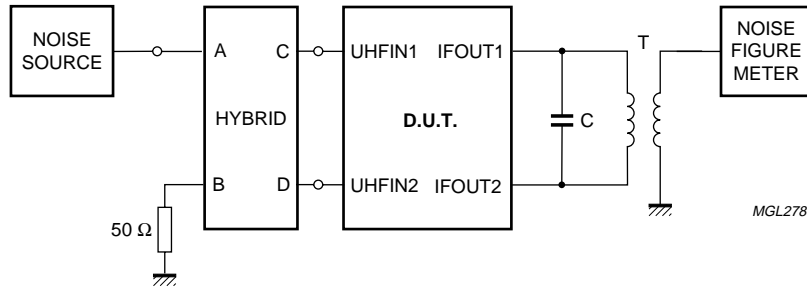


$F = F_{meas} - \text{loss (of input circuit) (dB)}$.

Fig.9 Noise figure (F) measurement in the VHF band.

Low power mixers/oscillators for
hyperband tuners

TDA5744; TDA5745



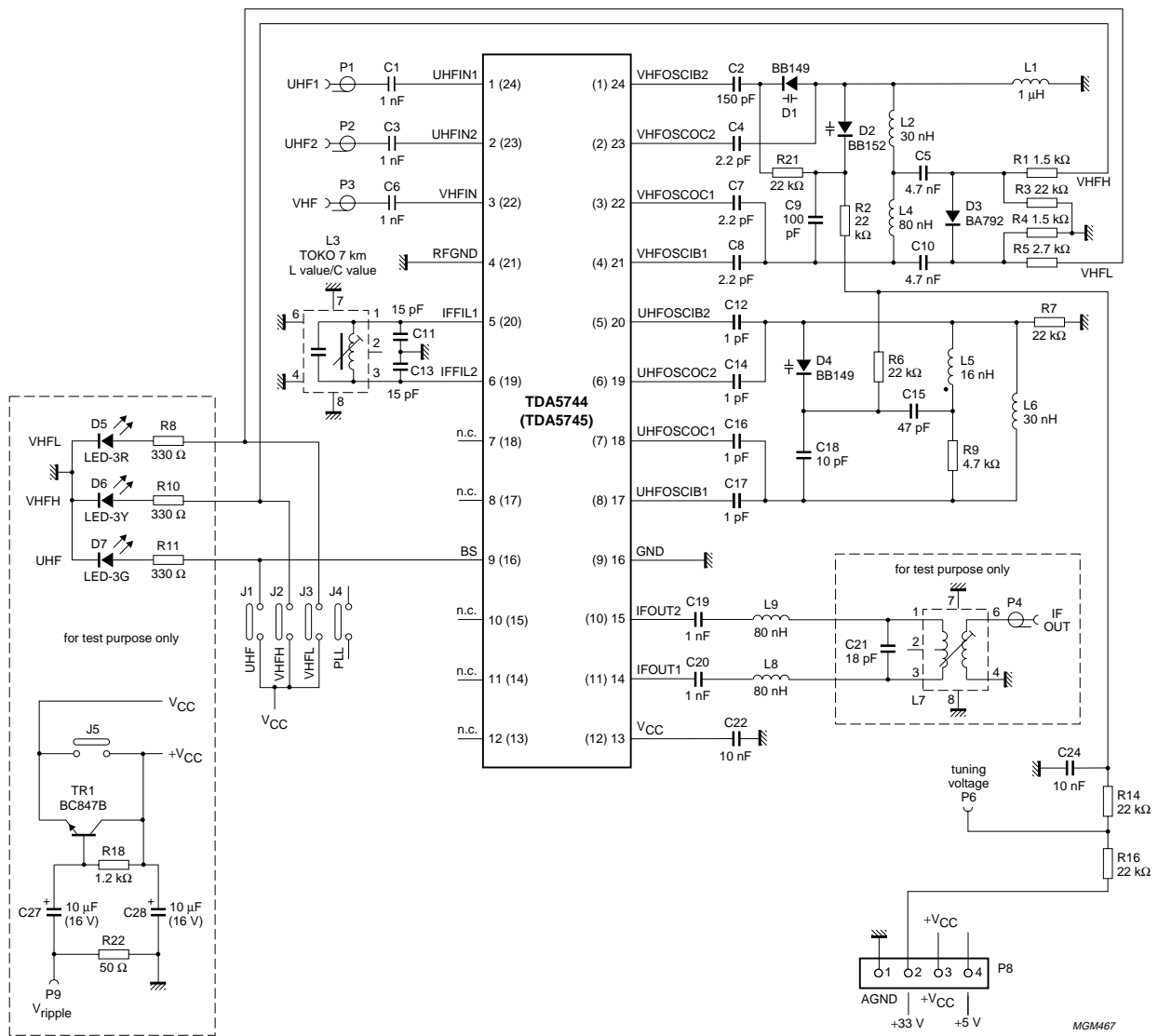
MGL278

Loss (in hybrid) = 1 dB; $F = F_{meas} - \text{loss (in hybrid)}$.

Fig.10 Noise figure (F) measurement in the UHF band.

Low power mixers/oscillators for hyperband tuners

TDA5744; TDA5745



The pin numbers in parenthesis represent the TDA5745.

Fig.11 Measurement circuit.

Low power mixers/oscillators for hyperband tuners

TDA5744; TDA5745

Component values for measurement circuit

Table 1 Capacitors (all SMD and NP0 unless otherwise specified)

COMPONENT	VALUE
C1	1 nF
C2	150 pF
C3	1 nF
C4	2.2 pF (N750)
C5	4.7 nF
C6	1 nF
C7	2.2 pF (N750)
C8	2.2 pF (N750)
C9	100 pF (N750)
C10	4.7 nF
C11	15 pF
C12	1 pF (N750)
C13	15 pF
C14	1 pF (N750)
C15	47 pF
C16	1 pF (N750)
C17	1 pF (N750)
C18	10 pF (N750)
C19	1 nF
C20	1 nF
C21	18 pF
C22	10 nF
C24	10 nF
C27	10 μ F (16 V; electrolytic)
C28	10 μ F (16 V; electrolytic)

Table 2 Resistors (all SMD)

COMPONENT	VALUE
R1	1.5 k Ω
R2	22 k Ω
R3	22 k Ω
R4	1.5 k Ω
R5	2.7 k Ω
R6	22 k Ω
R7	22 k Ω
R8	330 Ω
R9	4.7 k Ω

COMPONENT	VALUE
R10	330 Ω
R11	330 Ω
R14	22 k Ω
R16	22 k Ω
R18	1.2 k Ω
R21	22 k Ω
R22	50 Ω

Table 3 Diodes and ICs

COMPONENT	VALUE
D1	BB149
D2	BB152
D3	BA792
D4	BB149
D5	LED-3R
D6	LED-3Y
D7	LED-3G
IC	TDA5744; TDA5745

Table 4 Coils

COMPONENT	VALUE
L1	1 μ H (inductor)
L2	30 nH
L4	80 nH
L5	16 nH
L6	30 nH
L8	80 nH
L9	80 nH

Table 5 Transformer

COMPONENT	VALUE
L3	23 turns (TOKO, wire 0.07 mm)
L7	N1 = 2 \times 5 turns; N2 = 2 turns (TOKO, wire 0.09 mm)

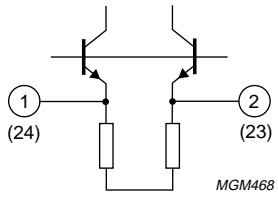
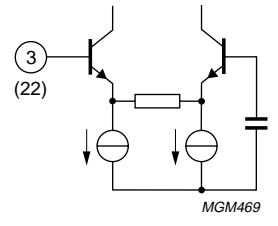
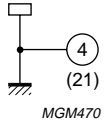
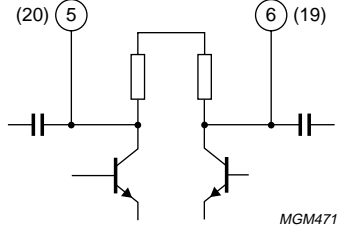
Table 6 Transistors

COMPONENT	VALUE
TR1	BC847B

Low power mixers/oscillators for hyperband tuners

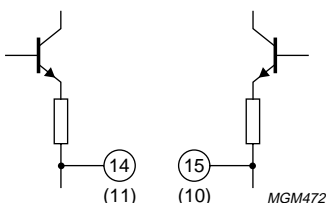
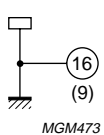
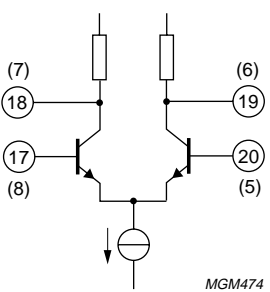
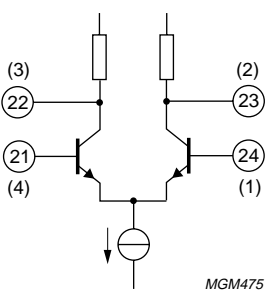
TDA5744; TDA5745

INTERNAL PIN CONFIGURATION

SYMBOL	PIN		CONFIGURATION ⁽¹⁾	AVERAGE DC VOLTAGE (V)	
	TDA5744	TDA5745		VHF	UHF
UHFIN1	1	24		note 2	1.0
UHFIN2	2	23			
VHFIN	3	22		1.9	note 2
RFGND	4	21		0.0	0.0
IFFIL1	5	20		3.4	3.4
IFFIL2	6	19			
n.c.	7	18	not connected	note 2	note 2
	8	17			
	10	15			
	11	14			
	12	13			
BS	9	16	electronic band switch	0.0	5.0
V _{CC}	13	12	supply voltage	5.0	5.0

Low power mixers/oscillators for hyperband tuners

TDA5744; TDA5745

SYMBOL	PIN		CONFIGURATION ⁽¹⁾	AVERAGE DC VOLTAGE (V)	
	TDA5744	TDA5745		VHF	UHF
IFOUT1	14	11		2.2	2.2
IFOUT2	15	10			
GND	16	9		0.0	0.0
UHFOSCIB1	17	8		note 2	1.9
UHFOSCO1	18	7			2.5
UHFOSCO2	19	6			2.5
UHFOSCIB2	20	5			1.9
VHFOSCIB1	21	4		note 2	2.0
VHFOSCO1	22	3			2.7
VHFOSCO2	23	2			2.7
VHFOSCIB2	24	1			2.0

Notes

1. The pin numbers in parenthesis represent the TDA5745.
2. Not applicable.

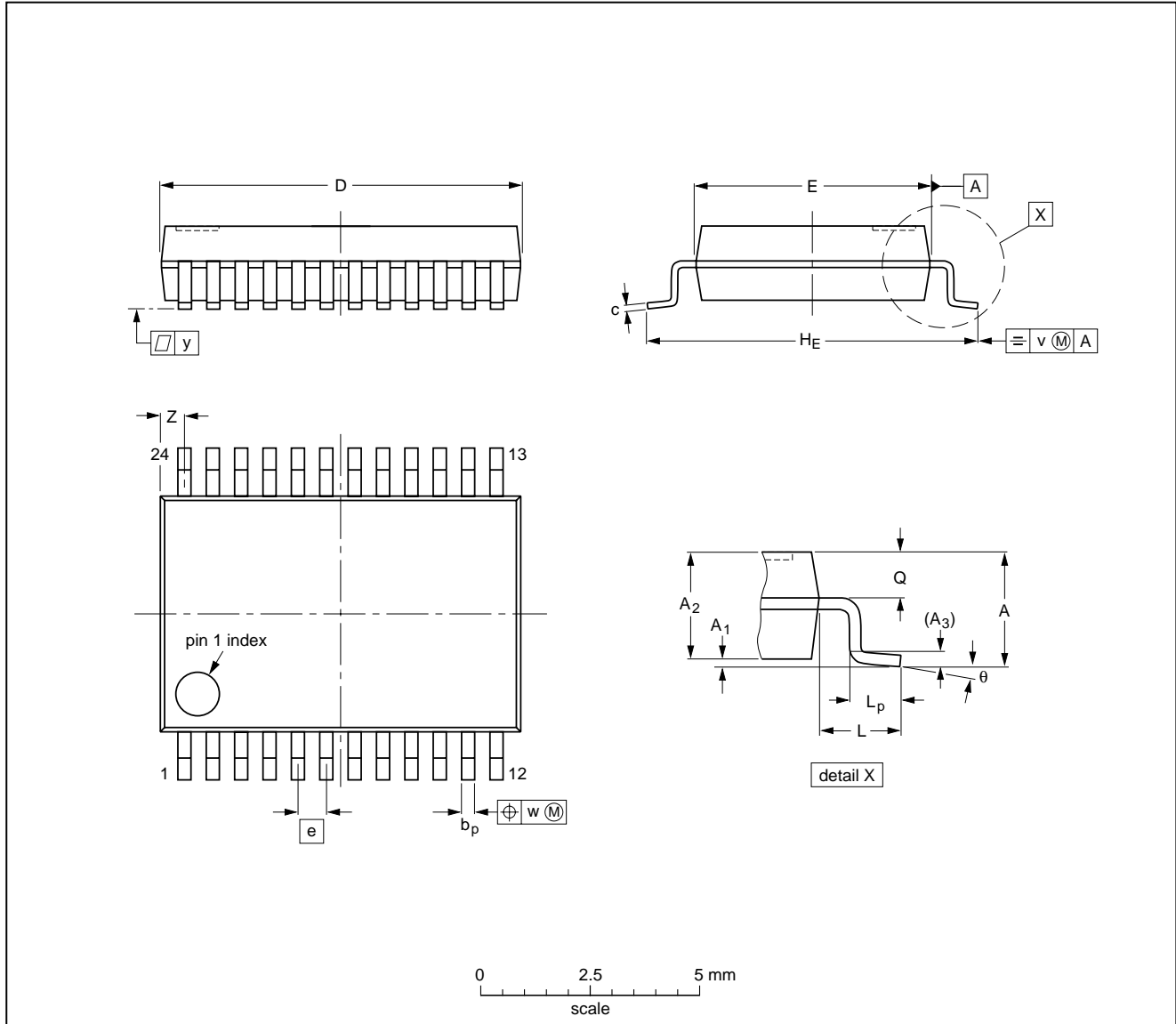
Low power mixers/oscillators for hyperband tuners

TDA5744; TDA5745

PACKAGE OUTLINE

SSOP24: plastic shrink small outline package; 24 leads; body width 5.3 mm

SOT340-1



DIMENSIONS (mm are the original dimensions)

UNIT	A max.	A ₁	A ₂	A ₃	b _p	c	D ⁽¹⁾	E ⁽¹⁾	e	H _E	L	L _p	Q	v	w	y	Z ⁽¹⁾	θ
mm	2.0	0.21 0.05	1.80 1.65	0.25	0.38 0.25	0.20 0.09	8.4 8.0	5.4 5.2	0.65	7.9 7.6	1.25	1.03 0.63	0.9 0.7	0.2	0.13	0.1	0.8 0.4	8° 0°

Note

1. Plastic or metal protrusions of 0.20 mm maximum per side are not included.

OUTLINE VERSION	REFERENCES				EUROPEAN PROJECTION	ISSUE DATE
	IEC	JEDEC	EIAJ			
SOT340-1		MO-150AG				93-09-08 95-02-04

Low power mixers/oscillators for hyperband tuners

TDA5744; TDA5745

SOLDERING

Introduction

There is no soldering method that is ideal for all IC packages. Wave soldering is often preferred when through-hole and surface mounted components are mixed on one printed-circuit board. However, wave soldering is not always suitable for surface mounted ICs, or for printed-circuits with high population densities. In these situations reflow soldering is often used.

This text gives a very brief insight to a complex technology. A more in-depth account of soldering ICs can be found in our "*IC Package Databook*" (order code 9398 652 90011).

Reflow soldering

Reflow soldering techniques are suitable for all SSOP packages.

Reflow soldering requires solder paste (a suspension of fine solder particles, flux and binding agent) to be applied to the printed-circuit board by screen printing, stencilling or pressure-syringe dispensing before package placement.

Several techniques exist for reflowing; for example, thermal conduction by heated belt. Dwell times vary between 50 and 300 seconds depending on heating method. Typical reflow temperatures range from 215 to 250 °C.

Preheating is necessary to dry the paste and evaporate the binding agent. Preheating duration: 45 minutes at 45 °C.

Wave soldering

Wave soldering is **not** recommended for SSOP packages. This is because of the likelihood of solder bridging due to closely-spaced leads and the possibility of incomplete solder penetration in multi-lead devices.

If wave soldering cannot be avoided, the following conditions must be observed:

- **A double-wave (a turbulent wave with high upward pressure followed by a smooth laminar wave) soldering technique should be used.**
- **The longitudinal axis of the package footprint must be parallel to the solder flow and must incorporate solder thieves at the downstream end.**

Even with these conditions, only consider wave soldering SSOP packages that have a body width of 4.4 mm, that is SSOP16 (SOT369-1) or SSOP20 (SOT266-1).

During placement and before soldering, the package must be fixed with a droplet of adhesive. The adhesive can be applied by screen printing, pin transfer or syringe dispensing. The package can be soldered after the adhesive is cured.

Maximum permissible solder temperature is 260 °C, and maximum duration of package immersion in solder is 10 seconds, if cooled to less than 150 °C within 6 seconds. Typical dwell time is 4 seconds at 250 °C.

A mildly-activated flux will eliminate the need for removal of corrosive residues in most applications.

Repairing soldered joints

Fix the component by first soldering two diagonally-opposite end leads. Use only a low voltage soldering iron (less than 24 V) applied to the flat part of the lead. Contact time must be limited to 10 seconds at up to 300 °C. When using a dedicated tool, all other leads can be soldered in one operation within 2 to 5 seconds between 270 and 320 °C.

Low power mixers/oscillators for hyperband tuners

TDA5744; TDA5745

DEFINITIONS

Data sheet status	
Objective specification	This data sheet contains target or goal specifications for product development.
Preliminary specification	This data sheet contains preliminary data; supplementary data may be published later.
Product specification	This data sheet contains final product specifications.
Limiting values	
Limiting values given are in accordance with the Absolute Maximum Rating System (IEC 134). Stress above one or more of the limiting values may cause permanent damage to the device. These are stress ratings only and operation of the device at these or at any other conditions above those given in the Characteristics sections of the specification is not implied. Exposure to limiting values for extended periods may affect device reliability.	
Application information	
Where application information is given, it is advisory and does not form part of the specification.	

LIFE SUPPORT APPLICATIONS

These products are not designed for use in life support appliances, devices, or systems where malfunction of these products can reasonably be expected to result in personal injury. Philips customers using or selling these products for use in such applications do so at their own risk and agree to fully indemnify Philips for any damages resulting from such improper use or sale.

Philips Semiconductors – a worldwide company

Argentina: see South America

Australia: 34 Waterloo Road, NORTH RYDE, NSW 2113,
Tel. +61 2 9805 4455, Fax. +61 2 9805 4466

Austria: Computerstr. 6, A-1101 WIEN, P.O. Box 213, Tel. +43 160 1010,
Fax. +43 160 101 1210

Belarus: Hotel Minsk Business Center, Bld. 3, r. 1211, Volodarski Str. 6,
220050 MINSK, Tel. +375 172 200 733, Fax. +375 172 200 773

Belgium: see The Netherlands

Brazil: see South America

Bulgaria: Philips Bulgaria Ltd., Energoproject, 15th floor,
51 James Bourchier Blvd., 1407 SOFIA,
Tel. +359 2 689 211, Fax. +359 2 689 102

Canada: PHILIPS SEMICONDUCTORS/COMPONENTS,
Tel. +1 800 234 7381

China/Hong Kong: 501 Hong Kong Industrial Technology Centre,
72 Tat Chee Avenue, Kowloon Tong, HONG KONG,
Tel. +852 2319 7888, Fax. +852 2319 7700

Colombia: see South America

Czech Republic: see Austria

Denmark: Prags Boulevard 80, PB 1919, DK-2300 COPENHAGEN S,
Tel. +45 32 88 2636, Fax. +45 31 57 0044

Finland: Sinikalliontie 3, FIN-02630 ESPOO,
Tel. +358 9 615800, Fax. +358 9 61580920

France: 51 Rue Carnot, BP317, 92156 SURESNES Cedex,
Tel. +33 1 40 99 6161, Fax. +33 1 40 99 6427

Germany: Hammerbrookstraße 69, D-20097 HAMBURG,
Tel. +49 40 23 53 60, Fax. +49 40 23 536 300

Greece: No. 15, 25th March Street, GR 17778 TAVROS/ATHENS,
Tel. +30 1 4894 339/239, Fax. +30 1 4814 240

Hungary: see Austria

India: Philips INDIA Ltd, Band Box Building, 2nd floor,
254-D, Dr. Annie Besant Road, Worli, MUMBAI 400 025,
Tel. +91 22 493 8541, Fax. +91 22 493 0966

Indonesia: see Singapore

Ireland: Newstead, Clonskeagh, DUBLIN 14,
Tel. +353 1 7640 000, Fax. +353 1 7640 200

Israel: RAPAC Electronics, 7 Kehilat Saloniki St, PO Box 18053,
TEL AVIV 61180, Tel. +972 3 645 0444, Fax. +972 3 649 1007

Italy: PHILIPS SEMICONDUCTORS, Piazza IV Novembre 3,
20124 MILANO, Tel. +39 2 6752 2531, Fax. +39 2 6752 2557

Japan: Philips Bldg 13-37, Kohnan 2-chome, Minato-ku, TOKYO 108,
Tel. +81 3 3740 5130, Fax. +81 3 3740 5077

Korea: Philips House, 260-199 Itaewon-dong, Yongsan-ku, SEOUL,
Tel. +82 2 709 1412, Fax. +82 2 709 1415

Malaysia: No. 76 Jalan Universiti, 46200 PETALING JAYA, SELANGOR,
Tel. +60 3 750 5214, Fax. +60 3 757 4880

Mexico: 5900 Gateway East, Suite 200, EL PASO, TEXAS 79905,
Tel. +9-5 800 234 7381

Middle East: see Italy

Netherlands: Postbus 90050, 5600 PB EINDHOVEN, Bldg. VB,
Tel. +31 40 27 82785, Fax. +31 40 27 88399

New Zealand: 2 Wagener Place, C.P.O. Box 1041, AUCKLAND,
Tel. +64 9 849 4160, Fax. +64 9 849 7811

Norway: Box 1, Manglerud 0612, OSLO,
Tel. +47 22 74 8000, Fax. +47 22 74 8341

Philippines: Philips Semiconductors Philippines Inc.,
106 Valero St. Salcedo Village, P.O. Box 2108 MCC, MAKATI,
Metro MANILA, Tel. +63 2 816 6380, Fax. +63 2 817 3474

Poland: Ul. Lukiska 10, PL 04-123 WARSZAWA,
Tel. +48 22 612 2831, Fax. +48 22 612 2327

Portugal: see Spain

Romania: see Italy

Russia: Philips Russia, Ul. Usatcheva 35A, 119048 MOSCOW,
Tel. +7 095 755 6918, Fax. +7 095 755 6919

Singapore: Lorong 1, Toa Payoh, SINGAPORE 1231,
Tel. +65 350 2538, Fax. +65 251 6500

Slovakia: see Austria

Slovenia: see Italy

South Africa: S.A. PHILIPS Pty Ltd., 195-215 Main Road Martindale,
2092 JOHANNESBURG, P.O. Box 7430 Johannesburg 2000,
Tel. +27 11 470 5911, Fax. +27 11 470 5494

South America: Al. Vicente Pinzon, 173, 6th floor,
04547-130 SÃO PAULO, SP, Brazil,
Tel. +55 11 821 2333, Fax. +55 11 821 2382

Spain: Balmes 22, 08007 BARCELONA,
Tel. +34 3 301 6312, Fax. +34 3 301 4107

Sweden: Kottbygatan 7, Akalla, S-16485 STOCKHOLM,
Tel. +46 8 632 2000, Fax. +46 8 632 2745

Switzerland: Allmendstrasse 140, CH-8027 ZÜRICH,
Tel. +41 1 488 2686, Fax. +41 1 488 3263

Taiwan: Philips Semiconductors, 6F, No. 96, Chien Kuo N. Rd., Sec. 1,
TAIPEI, Taiwan Tel. +886 2 2134 2865, Fax. +886 2 2134 2874

Thailand: PHILIPS ELECTRONICS (THAILAND) Ltd.,
209/2 Sanpavuth-Bangna Road Prakanong, BANGKOK 10260,
Tel. +66 2 745 4090, Fax. +66 2 398 0793

Turkey: Talatpasa Cad. No. 5, 80640 GÜLTEPE/ISTANBUL,
Tel. +90 212 279 2770, Fax. +90 212 282 6707

Ukraine: PHILIPS UKRAINE, 4 Patrice Lumumba str., Building B, Floor 7,
252042 KIEV, Tel. +380 44 264 2776, Fax. +380 44 268 0461

United Kingdom: Philips Semiconductors Ltd., 276 Bath Road, Hayes,
MIDDLESEX UB3 5BX, Tel. +44 181 730 5000, Fax. +44 181 754 8421

United States: 811 East Arques Avenue, SUNNYVALE, CA 94088-3409,
Tel. +1 800 234 7381

Uruguay: see South America

Vietnam: see Singapore

Yugoslavia: PHILIPS, Trg N. Pasica 5/v, 11000 BEOGRAD,
Tel. +381 11 625 344, Fax. +381 11 635 777

For all other countries apply to: Philips Semiconductors,
International Marketing & Sales Communications, Building BE-p, P.O. Box 218,
5600 MD EINDHOVEN, The Netherlands, Fax. +31 40 27 24825

Internet: <http://www.semiconductors.philips.com>

© Philips Electronics N.V. 1998

SCA57

All rights are reserved. Reproduction in whole or in part is prohibited without the prior written consent of the copyright owner.

The information presented in this document does not form part of any quotation or contract, is believed to be accurate and reliable and may be changed without notice. No liability will be accepted by the publisher for any consequence of its use. Publication thereof does not convey nor imply any license under patent- or other industrial or intellectual property rights.

Printed in The Netherlands

545104/1200/01/pp20

Date of release: 1998 Mar 09

Document order number: 9397 750 02946

Let's make things better.

**Philips
Semiconductors**



PHILIPS