

TOSHIBA CMOS DIGITAL INTEGRATED CIRCUIT SILICON MONOLITHIC

**TC9307AF-009****SINGLE CHIP DTS MICRO CONTROLLER (DTS-12)**

The TC9307AF-009 is a digital tuning system optimum for such portable audio equipment as radio with a cassette tape recorder.

**FEATURES**

○ Receiving band

AREA	CODE			STEP JUMPER	BAND	RECEIVING FREQ. [Hz]	STEP [Hz]	FREF [Hz]	IF [Hz]
	E0	E1	E2						
M.N. East 1	0	0	0	0 / 1	FM	87.5~108.0M	50 / 100k	25k	+ 10.7M
				0	MW	531~ 1602k	9k	3k	+ 450k
				1		530~ 1710k	10k	5k	
				—	SW <sub>1</sub>	2.3~ 6.2M	5k	5k	
					SW <sub>2</sub>	7.1~21.85M			
M.N. East 2	1	0	0	0 / 1	FM	87.5~108.0M	50 / 100k	25k	+ 10.7M
				0	MW	531~ 1602k	9k	3k	+ 450k
				1		530~ 1610k	10k	5k	
				—	SW <sub>1</sub>	2.3~ 6.2M	5k	5k	
					SW <sub>2</sub>	7.1~21.85M			
General SW-A	0	1	0	0 / 1	FM	87.5~108.0M	50 / 100k	25k	+ 10.7M
				0	MW	531~ 1602k	9k	3k	+ 450k
				1		530~ 1610k	10k	5k	
				—	SW-A	5.95~ 15.6M	5k	5k	
					LW	146~ 281k			
Canada Australia	1	1	0	—	FM	87.5~108.0M	100k	25k	+ 10.7M
				0	MW	531~ 1602k	9k	3k	+ 450k
				1		530~ 1610k	10k	5k	
USA	0	0	1	—	FM	87.5~108.0M	100k	25k	+ 10.7M
				0	MW	531~ 1602k	9k	3k	+ 450k
				1		530~ 1710k	10k	5k	
General SW-B	1	0	1	0 / 1	FM	87.5~108.0M	50 / 100k	25k	+ 10.7M
				0	MW	531~ 1602k	9k	3k	+ 450k
				1		530~ 1610k	10k	5k	
				—	SW-B	3.8~ 12.5M	5k	5k	
					LW	146~ 281k			

→ REFER 2 page

AREA	CODE			STEP JUMPER	BAND	RECEIVING FREQ. [Hz]	STEP [Hz]	FREF [Hz]	IF [Hz]
	E0	E1	E2						
Europe	0	1	1	0 / 1	FM	87.5~108.0M	50 / 100k	25k	+ 10.7M
				0	MW	531~ 1602k	9k	3k	+ 450k
				1		530~ 1610k	10k	5k	
				—	LW	146~ 281k	1k	1k	
East Europe	1	1	1	0 / 1	FM	65.0~ 74.0M 87.5~108.0M	50 / 100k	25k	+ 10.7M
				0	MW	531~ 1602k	9k	3k	+ 450k
				1		530~ 1710k	10k	5k	
				—	LW	146~ 281k	1k	1k	

○ Tuning function

- Manual Up/Down Tuning
- Auto up tuning (seek system) or semi-auto memory tuning is selectable.
- IF counter system auto stop function.
- Auto tuning in SW band is the scan system in the meter band.
- Memory scan tuning.
- Band changeover of method to which either of momentary or lock switch is selectable.

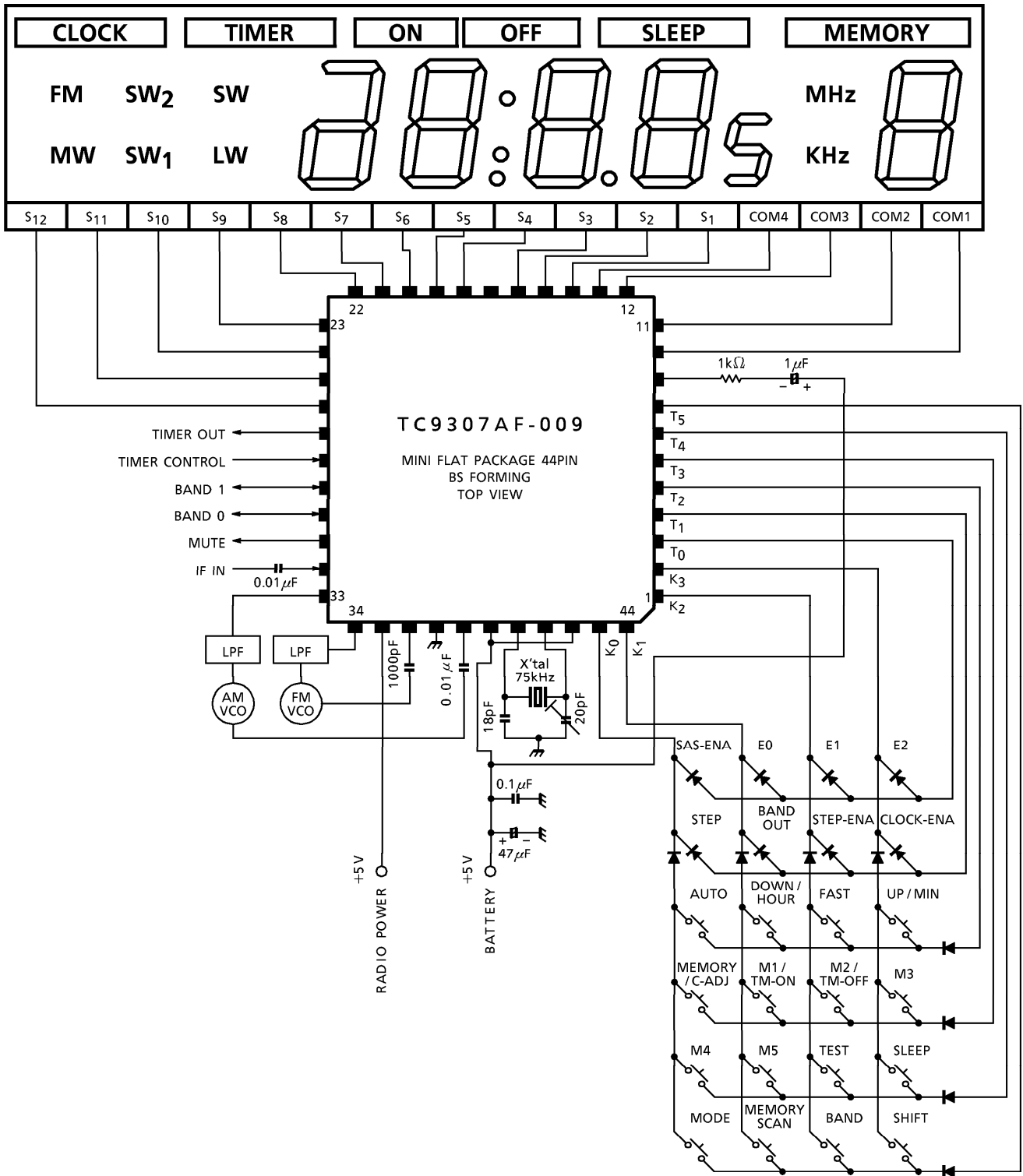
○ Memory function

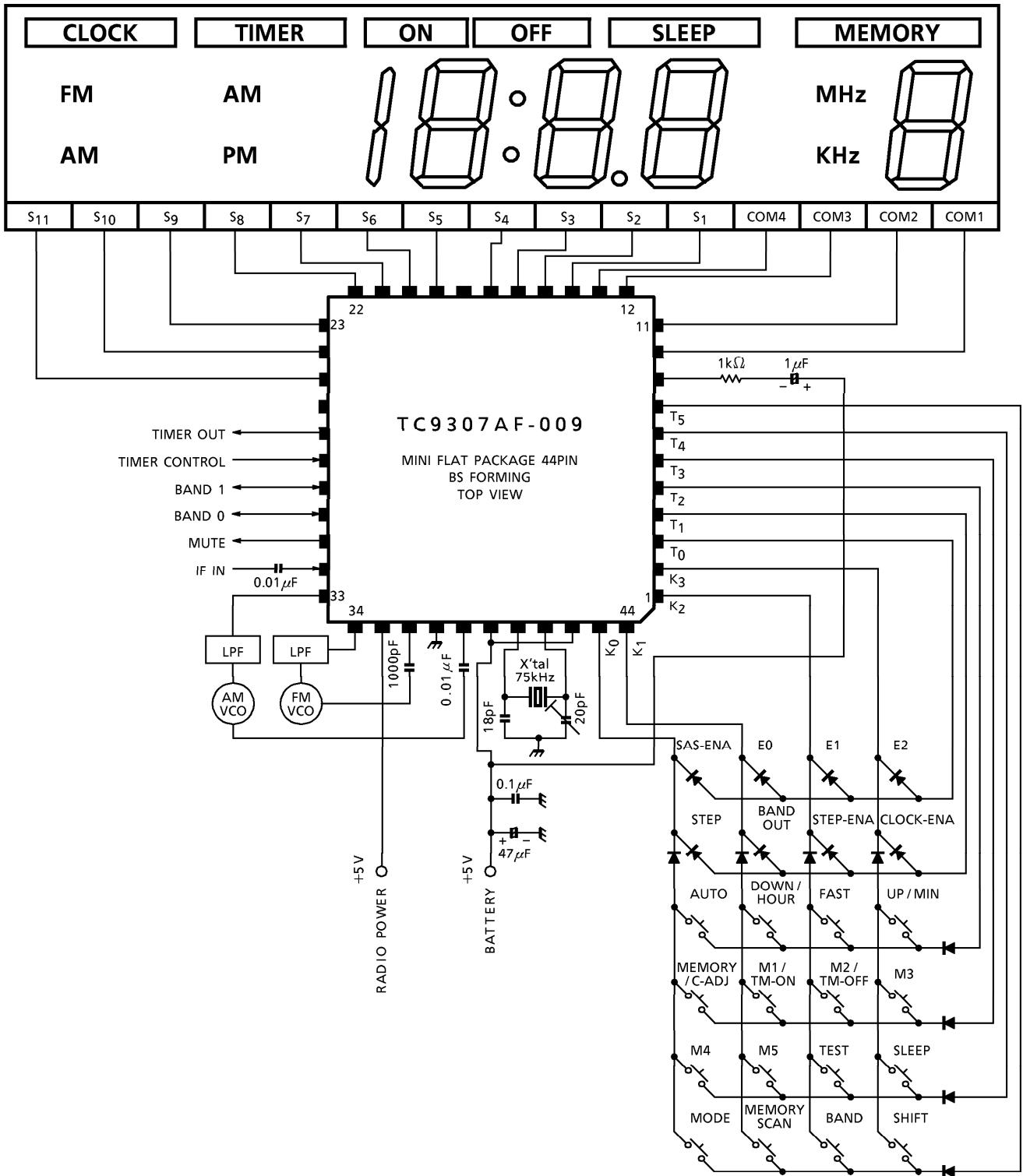
M.N. East 1, M.N. East 2	FM (*) / MW / SW <sub>1</sub> / SW <sub>2</sub>	5 (*) / 5 / 5 / 5 station
General SW-A, General SW-B	FM / MW / LW / SW	10 / 5 / 5 / 5 station
USA, Canada, Australia	FM / MW	10 / 10 station
Europe, East Europe	FM / MW / LW	10 / 10 / 5 station

(\*) : Without Clock, Timer 10 station

○ Other function

- 12 / 24H Clock
- ON / OFF timer by time set system
- Sleep timer (max. 90min)





**RESTRICTIONS ON PRODUCT USE**

000707EBA

- TOSHIBA is continually working to improve the quality and reliability of its products. Nevertheless, semiconductor devices in general can malfunction or fail due to their inherent electrical sensitivity and vulnerability to physical stress. It is the responsibility of the buyer, when utilizing TOSHIBA products, to comply with the standards of safety in making a safe design for the entire system, and to avoid situations in which a malfunction or failure of such TOSHIBA products could cause loss of human life, bodily injury or damage to property. In developing your designs, please ensure that TOSHIBA products are used within specified operating ranges as set forth in the most recent TOSHIBA products specifications. Also, please keep in mind the precautions and conditions set forth in the "Handling Guide for Semiconductor Devices," or "TOSHIBA Semiconductor Reliability Handbook" etc..
- The TOSHIBA products listed in this document are intended for usage in general electronics applications (computer, personal equipment, office equipment, measuring equipment, industrial robotics, domestic appliances, etc.). These TOSHIBA products are neither intended nor warranted for usage in equipment that requires extraordinarily high quality and/or reliability or a malfunction or failure of which may cause loss of human life or bodily injury ("Unintended Usage"). Unintended Usage include atomic energy control instruments, airplane or spaceship instruments, transportation instruments, traffic signal instruments, combustion control instruments, medical instruments, all types of safety devices, etc.. Unintended Usage of TOSHIBA products listed in this document shall be made at the customer's own risk.
- The products described in this document are subject to the foreign exchange and foreign trade laws.
- The information contained herein is presented only as a guide for the applications of our products. No responsibility is assumed by TOSHIBA CORPORATION for any infringements of intellectual property or other rights of the third parties which may result from its use. No license is granted by implication or otherwise under any intellectual property or other rights of TOSHIBA CORPORATION or others.
- The information contained herein is subject to change without notice.