

Integrated Temperature Sensor and Brushless DC Fan Controller with Fan Fault Detect* and Over Temperature Alert

FEATURES

- Digital Temperature Sensing and Multi-Speed Fan Control
- FanSense™ Fan Fault Detect Circuitry
- Built in Over Temperature Alert (\overline{T}_{over})
- Temperature Proportional Fan Speed Control for Acoustic Noise Reduction and Longer Fan Life
- Pulse Width Modulation Output Drive for Cost and Power Savings
- Solid State Temperature Sensing
- $\pm 1^{\circ}\text{C}$ (Typical) Accuracy from 25°C to $+70^{\circ}\text{C}$
- 2.8 -5.5V Operating Range
- TC653 includes Auto Fan Shutdown
- Low Operating Power: $50\mu\text{A}$ (Typ)

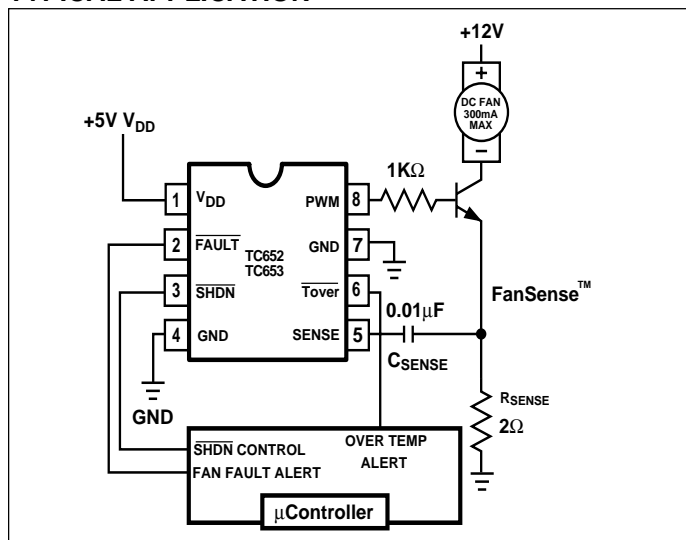
APPLICATIONS

- Thermal Protection for Personal Computers
- Digital Set-Top Boxes
- Notebook Computers
- Data Communications
- Power Supplies
- Projectors

RELATED LITERATURE

- Application Note: 58
- Article: "An Integrated Fan Speed Control Solution Can Lower System Costs, Reduce Acoustic Noise and Power Consumption and Enhance System Reliability"

TYPICAL APPLICATION



GENERAL DESCRIPTION

The TC652/653 are integrated temperature sensors and brushless DC fan speed controllers with FanSense™ technology. The TC652/653 measure their junction temperature and control the speed of the fan based on that temperature, making them especially suited for applications in modern electronic equipment. The FanSense™ fan fault detect circuitry eliminates the need for a more expensive 3 wire fan.

Temperature data is converted from the on-chip thermal sensing element and translated into a fractional fan speed from 40% to 100%. A temperature selection guide in the data sheet is used to choose the low and high temperature limits to control the fan. The TC652/653 also include a single trip point over temperature alert (\overline{T}_{over}) that eliminates the need for additional temperature sensors. In addition, the TC653 includes an auto fan shutdown function for additional power savings.

The TC652/653 are easy to use, require no software overhead, and are, therefore, the ideal choice for implementing thermal management in a variety of systems.

FanSense™ is a trademark of Microchip Technology Inc.

*Patent granted

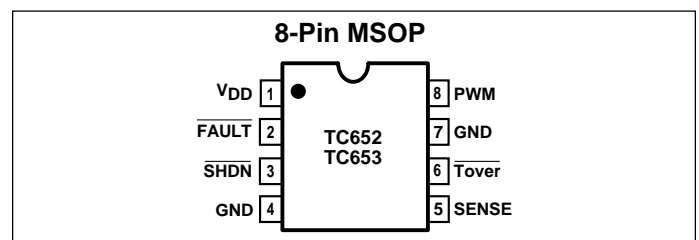
ORDERING INFORMATION

Part Number	Package	Operating Temp. Range
TC652XXVUA	8-Pin MSOP	-40°C to +125°C
TC653XXVUA	8-Pin MSOP	-40°C to +125°C

X (See Page 5)	Temperature
A	25
B	30
C	35
D	40
E	45
F	50
G	55

- Notes: 1. The "X" denotes a suffix for temperature threshold settings.
2. Contact factory for other temperature ranges.

PIN CONFIGURATIONS



Integrated Temperature Sensor and Brushless DC Fan Controller with Fan Fault Detect and Over Temperature Alert

TC652
TC653

ABSOLUTE MAXIMUM RATINGS*

Input Voltage (V_{DD} to GND) +6V
 Output Voltage (OUT to GND) 6V
 Voltage On Any Pin (GND – 0.3V) to (V_{DD} + 0.3V)
 Package Thermal Resistance (θ_{JA}) 250°C/W
 Operating Temperature Range –40°C to +125°C

Storage Temperature (unbiased) –65°C to +150°C
 Lead Temperature
 (Soldering, 10sec duration) +300°C

* This is a stress rating only and functional operation of the device at these or any other conditions above those indicated in the operation section of this specification is not implied. Exposure to absolute maximum ratings conditions for extended periods of time may affect reliability.

ELECTRICAL CHARACTERISTICS: $V_{DD} = 2.8V$ to $5.5V$, $\overline{SHDN} = V_{DD}$, $T_A = -40^\circ C$ to $125^\circ C$ unless otherwise specified.

Symbol	Parameter	Test Conditions	Min	Typ	Max	Units
V_{DD}	Supply Voltage		2.8	—	5.5	V
I_{DD}	Supply Current	PWM, FAULT, \overline{TOVER} are open	—	50	90	μA
SHDN Input						
V_{IH}	\overline{SHDN} Input High Threshold		65	—	—	% V_{DD}
V_{IL}	\overline{SHDN} Input Low Threshold		—	—	15	% V_{DD}

PWM Output

V_{OL}	PWM Output Low Voltage	$I_{SINK} = 1mA$	—	—	0.3	V
V_{OH}	PWM Output High Voltage	$I_{SOURCE} = 5mA$	$V_{DD} - 0.5$	—	—	V
t_R	PWM Rise Time	$I_{OH} = 5mA$, 1nF from PWM to GND	—	10	—	μsec
t_F	PWM Fall Time	$I_{OL} = 1mA$, 1nF from PWM to GND	—	10	—	μsec
f_{OUT}	PWM Frequency		10	15	—	Hz
$t_{STARTUP}$	Startup Time	V_{DD} Rises from GND, or \overline{SHDN} Released	—	$32/f_{OUT}$	—	sec
$V_{TH(sense)}$	Sense Input	Sense Input Threshold Voltage with Respect to Ground	—	70	—	mV

Temperature Accuracy

T_{HACC}	High Temp Accuracy	Note 1	$T_H - 3$	T_H	$T_H + 3$	$^\circ C$
$(T_H - T_L)_{ACC}$	Temp Range Accuracy	$(T_H - T_L) \leq 20^\circ C$	–1.0	—	+1.0	$^\circ C$
		$(T_H - T_L) > 20^\circ C$	–2.5	—	+2.5	
T_{HYST}	Auto Shutdown Hysteresis	TC653 Only	—	$(T_H - T_L)/5$	—	$^\circ C$

FAULT Output

V_{HIGH}	FAULT Output High Voltage	$I_{SOURCE} = 1.2mA$	$V_{DD} - 0.5$	—	—	V
V_{LOW}	FAULT Output Low Voltage	$I_{SINK} = 2.5mA$	—	—	0.4	V
t_{mp}	Missing Pulse Detector Timeout		—	$32/f_{OUT}$	—	sec

\overline{TOVER} Output

V_{HIGH}	\overline{TOVER} Output High Voltage	$I_{SOURCE} = 1.2mA$	$V_{DD} - 0.5$	—	—	V
V_{LOW}	\overline{TOVER} Output Low Voltage	$I_{SINK} = 2.5mA$	—	—	0.4	V
\overline{TOVER}_{ACC}	Absolute Accuracy	At Trip Point	—	$T_H + 10$	—	$^\circ C$
\overline{TOVER}_{HYST}	Trip Point Hysteresis		—	5	—	$^\circ C$

Notes: 1. Transition from 90% to 100% Duty Cycle.

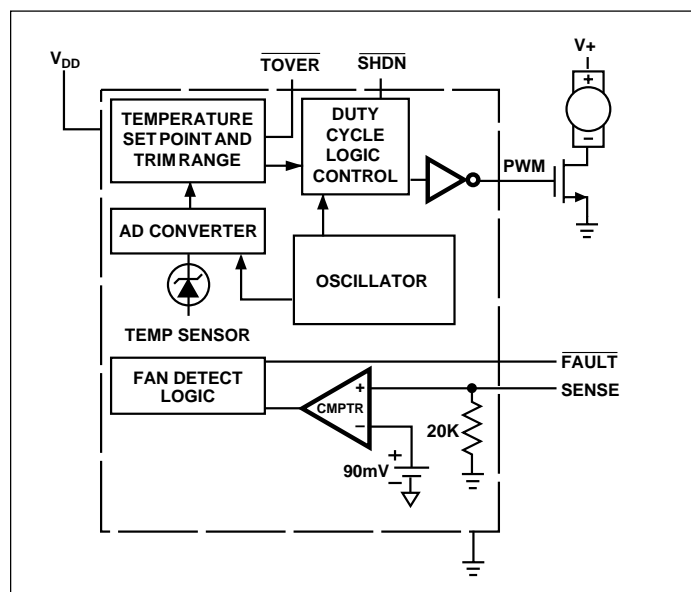
Integrated Temperature Sensor and Brushless DC Fan Controller with Fan Fault Detect and Over Temperature Alert

**TC652
TC653**

PIN DESCRIPTION

Pin No.	Symbol	Description
1	V _{DD}	Power Supply Input. May be independent of fan power supply.
2	FAULT	Fan Fault Alert, Active-Low Output. Fault goes low to indicate a fan fault condition. When Fault occurs, the device is latched in shutdown mode with PWM low. Toggling the SHDN pin or cycling the V _{DD} will release the part and fan from shutdown. Fault will unconditionally remain high during shutdown.
3	SHDN	Fan Shutdown, Active-Low Input. During shut down mode the chip still monitors temperature and T _{over} is low if temperature rises above factory setpoint.
4	GND	Ground return for all TC652/653 functions.
5	SENSE	Detect Fan Pulses Input. Pulses are detected at this pin as fan rotation chops the current through the sense resistor, R _{sense} . The absence of pulses indicates a fan fault.
6	T _{over}	Over-Temperature Alert, Active-Low Output.
7	GND	Ground.
8	PWM	PWM Fan Drive Output. Pulse width modulated rail-to-rail logic output. Nominal frequency is 15Hz.

FUNCTIONAL BLOCK DIAGRAM



FUNCTIONAL DESCRIPTION

The TC652/653 acquire and convert their junction temperature (T_j) information from an on-chip solid state sensor with a typical accuracy of $\pm 1^{\circ}\text{C}$ (typical). The temperature data is digitally stored in an internal register. The register is compared with pre-defined threshold values. The six threshold values are equally distributed over a pre-defined range of temperatures (See Table 1). The TC652/653 control the speed of a DC brushless fan using a fractional speed control scheme. The output stage requires only a 2N2222-type small-signal BJT for fans up to 300mA. For larger current fans (up to 1 Amp) a logic-level N-channel MOSFET

may be used. In addition to controlling the speed of the fan, the TC652/653 include an on-chip over-temperature alarm (T_{over}) that gives a low-true signal when the temperature of the chip exceeds T_H by 10°C. This feature eliminates the need for a separate temperature sensor for over-temperature monitoring.

In normal fan operation, a pulse train is present at SENSE, pin 5. A missing-pulse detector monitors this pin during fan operation (FanSense™). A stalled, open, or unconnected fan causes the TC652/653 to trigger its startup timer once. If the fault persists, the FAULT output goes low, and the device is latched in its Shutdown Mode. To release the fan from shutdown, toggle the SHDN or V_{DD} Pin.

Table 1. Temperature Range Definition for TC652 (Minimum-Speed Mode)

Temperature (T=T _j)	PWM Duty Cycle
T < T _L	40%
T _L ≤ T < T ₁	50%
T ₁ ≤ T < T ₂	60%
T ₂ ≤ T < T ₃	70%
T ₃ ≤ T < T ₄	80%
T ₄ ≤ T < T _H	90%
T _H ≤ T < T _{OV}	100%
T _{OV} ≤ T	100% with over temp Alert (T _{over} = L)

Integrated Temperature Sensor and Brushless DC Fan Controller with Fan Fault Detect and Over Temperature Alert

TC652 TC653

Table 2. Temperature Range Definition for TC653 (Auto-Shutdown Mode)

Temperature (T=T _J)	PWM Duty Cycle
T < T _L	"OFF"
T _L ≤ T < T ₁	50%
T ₁ ≤ T < T ₂	60%
T ₂ ≤ T < T ₃	70%
T ₃ ≤ T < T ₄	80%
T ₄ ≤ T < T _H	90%
T _H ≤ T < T _{OV}	100%
T _{OV} ≤ T	100% with over temp Alert ($\overline{T_{over}} = L$)

Note: The temperature regions defined by the six temperature thresholds are pre-defined in the TC652/653 by means of trimming. Once a T_L and T_H are programmed, the T₁ – T₄ thresholds are automatically equally spaced between T_L and T_H.

DETAILED DESCRIPTION

PWM Output

The PWM pin is designed to drive a low-cost transistor or MOSFET as the low-side power-switching element in the system. Various examples of driver circuits will be shown below. This output has an asymmetric complementary drive and is optimized for driving NPN-transistors or N-channel MOSFETs. Since the system relies on PWM rather than linear power control, the dissipation in the power switch is kept to a minimum. Generally, very small devices (TO-92 or SOT packages) will suffice. The frequency of the PWM is about 15Hz. The PWM is also the timebase for the Start-up Timer (see paragraphs below). The PWM duty cycle has a range of 40% to 100% for the TC652 and 50% to 100% for the TC653.

Start-Up Timer

To ensure reliable fan start-up, the Start-up Timer turns PWM high for about 2 seconds whenever the fan is started from the off state. This occurs at power-up and when coming out of Shutdown Mode.

SENSE Input (FanSense™)

The SENSE input, pin 5, is connected to a low-value current sensing resistor in the ground return leg of the fan circuit. During normal fan operation, commutation occurs as each pole of the fan is energized. This causes brief interruptions in the fan current, seen as pulses across the sense resistor. If the device is not in Shutdown mode, and pulses are not appearing at the SENSE input, a fault exists. The short, rapid change in fan current (high di/dt) causes a corresponding dv/dt across the sense resistor, R_{SENSE}. The

waveform on R_{SENSE} is differentiated and converted to a logic-level pulse train by C_{SENSE} and the internal signal processing circuitry. The presence and frequency of this pulse-train is a direct indication of fan operation.

FAULT

This pin goes low to indicate a fan fault condition. Pulses appearing at SENSE pin due to the PWM turning on are blanked and the remaining pulses are filtered by a missing pulse detector. If consecutive pulses are not detected for 32 PWM cycles (about 2 sec), the PWM is Low and \overline{FAULT} goes low. \overline{FAULT} can be disabled by momentarily toggling \overline{SHDN} or V_{DD} pin, or cycling system power. \overline{FAULT} remains high during Shutdown Mode.

Over-Temperature Alert ($\overline{T_{over}}$)

This pin goes low when the T_H set point is exceeded by 10°C. This indicates that the fan is at maximum drive, and the potential exists for system overheating: either heat dissipation in the system has gone beyond the cooling system's design limits, or some fault exists such as fan bearing failure or an airflow obstruction. This output may be treated as a "System Overheat" warning and used to trigger system shutdown, or bring other fans to full speed in the system. The fan will continue to run at 100% speed while $\overline{T_{over}}$ is asserted. Built-in hysteresis prevents $\overline{T_{over}}$ from "chattering" when measured temperature is at or near the T_H + 10°C trip point. As temperature falls through the T_H + 10°C trip point, hysteresis maintains the $\overline{T_{over}}$ output low until measured temperature is 5°C above the trip point setting.

Shutdown (\overline{SHDN})

The fan can be unconditionally shutdown by pulling low the \overline{SHDN} pin. During shutdown \overline{FAULT} output is high and PWM output is low. This is ideal for notebook computer and other portable applications when you need to change batteries and must not have the fan running at the time. Thermal monitoring and $\overline{T_{over}}$ are still in operation during shutdown. I_{DD} shutdown current is around 50µA.

Auto-Shutdown Mode

The TC653 has auto shutdown. If the temperature is below the factory set point at minimum speed (T_L), PWM is low and the fan is automatically shut off (Auto-Shutdown mode). This feature is ideal for notebook computers and other portable applications that need to conserve as much battery power as possible and thus run a fan when it is only absolutely needed. The TC653 will continue to be active so

Integrated Temperature Sensor and Brushless DC Fan Controller with Fan Fault Detect and Over Temperature Alert

TC652
TC653

as to monitor temperature for Tover. The TC653 exits Auto-Shutdown mode when the temperature rises above the factory set point (T_1).

Temperature Selection Guide (Minimum Fan Speed/Full Speed)

The five temperature regions defined by the six thresholds are defined in the TC652/653 by means of factory trimming. Once a T_L and T_H are set, the $T_1 - T_4$ thresholds are automatically equally spaced between T_L and T_H .

Temp Range (°C)	T_L (°C)	T_H (°C)	Part #
10	25	35	AC
	30	40	BD
	35	45	CE
15	25	40	AD
	30	45	BE
	35	50	CF
20	25	45	AE
	30	50	BF
	35	55	CG
30	25	55	AG

Note: The **Bold Type** temperature settings are available for ordering. Contact factory for other temperature selections.

T_L and T_H can be selected in 5°C increments. T_H must be chosen at least 10°C higher than T_L . T_L can range from 25°C to 35°C.

As an example, suppose you wanted the fan to **run at 40% speed at 25°C** or less and go to **full speed at 45°C**. You would order the part number TC652AEVUA.

As another example, suppose you wanted the fan to **turn on at 30°C** and go to **full speed at 45°C**. You would order the part number TC653BEVUA.

APPLICATIONS INFORMATION

Reducing Switching Noise

For fans consuming more than 300mA, a slowdown capacitor (C_{SLOW}) is recommended for reducing switching PWM induced noise (see Figure 1). The value of this capacitor should be 4.7µF to 47µF, depending on the fan current consumption. Please see Application Note 58 for more information.

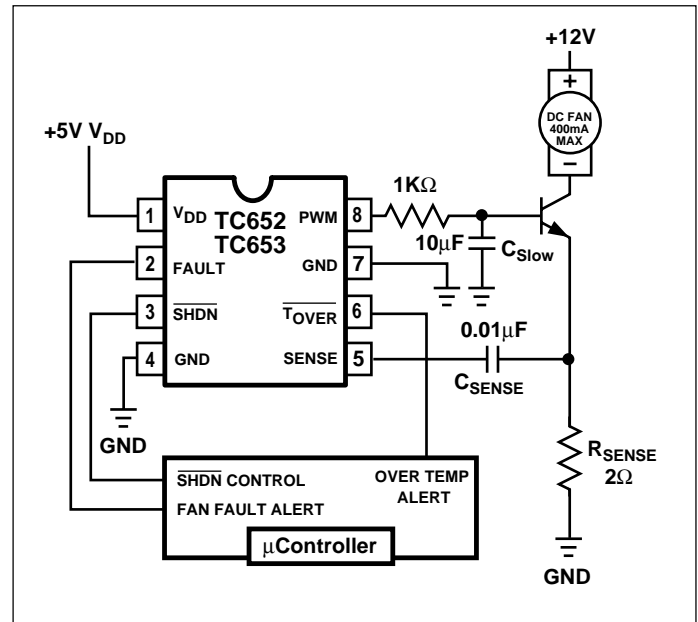
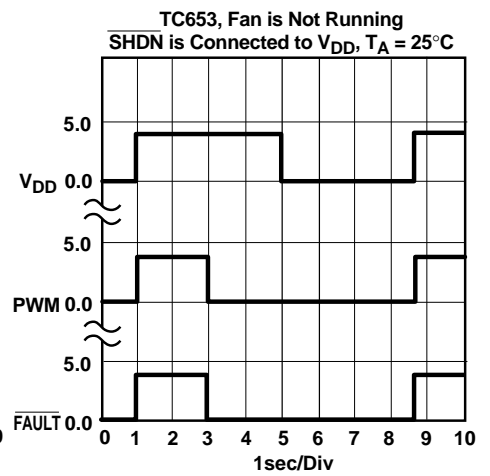
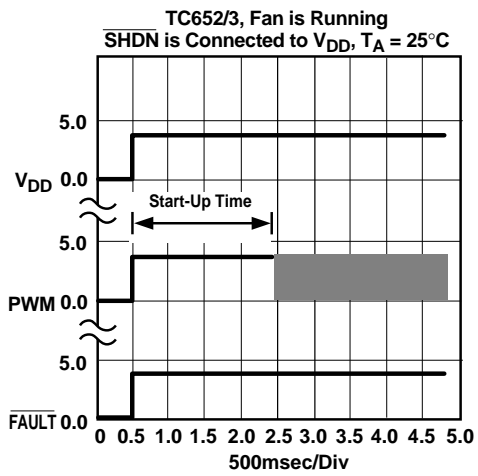
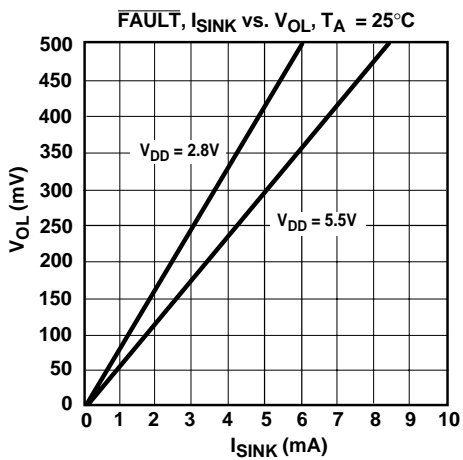
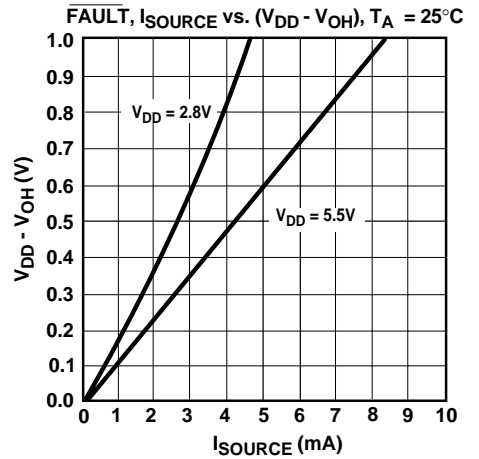
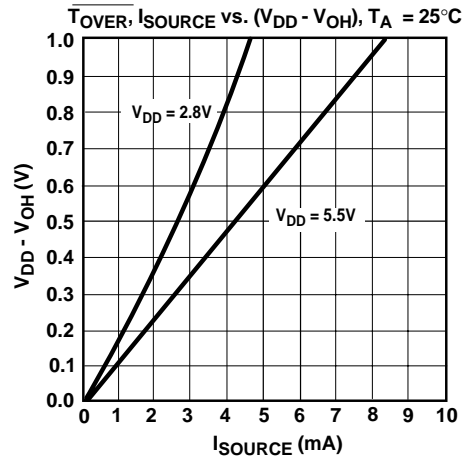
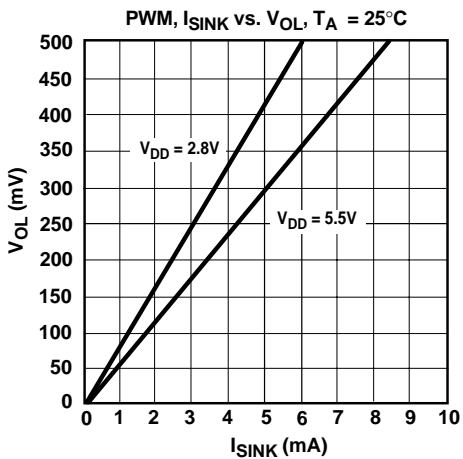
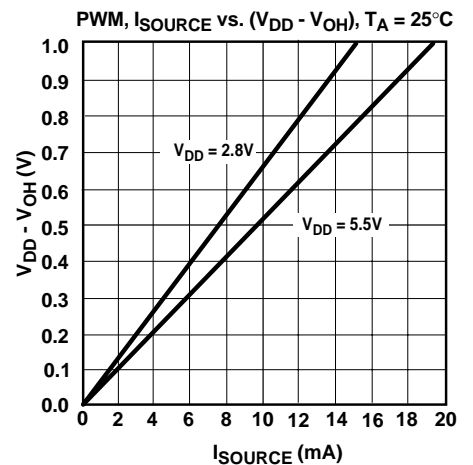
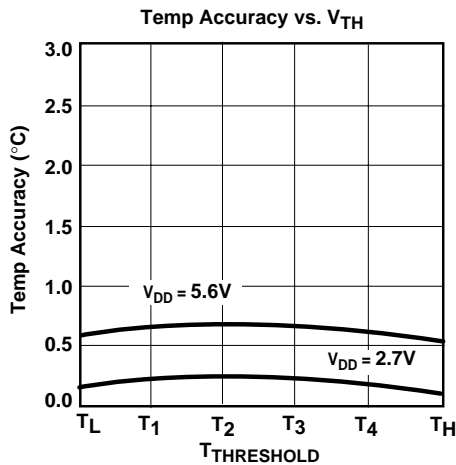
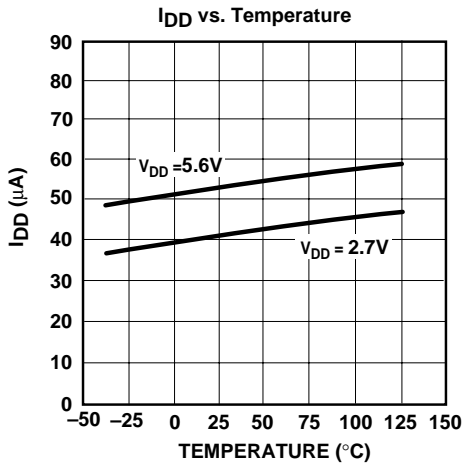


Figure 1. Reducing Switching Noise

Integrated Temperature Sensor and Brushless DC Fan Controller with Fan Fault Detect and Over Temperature Alert

TC652
TC653

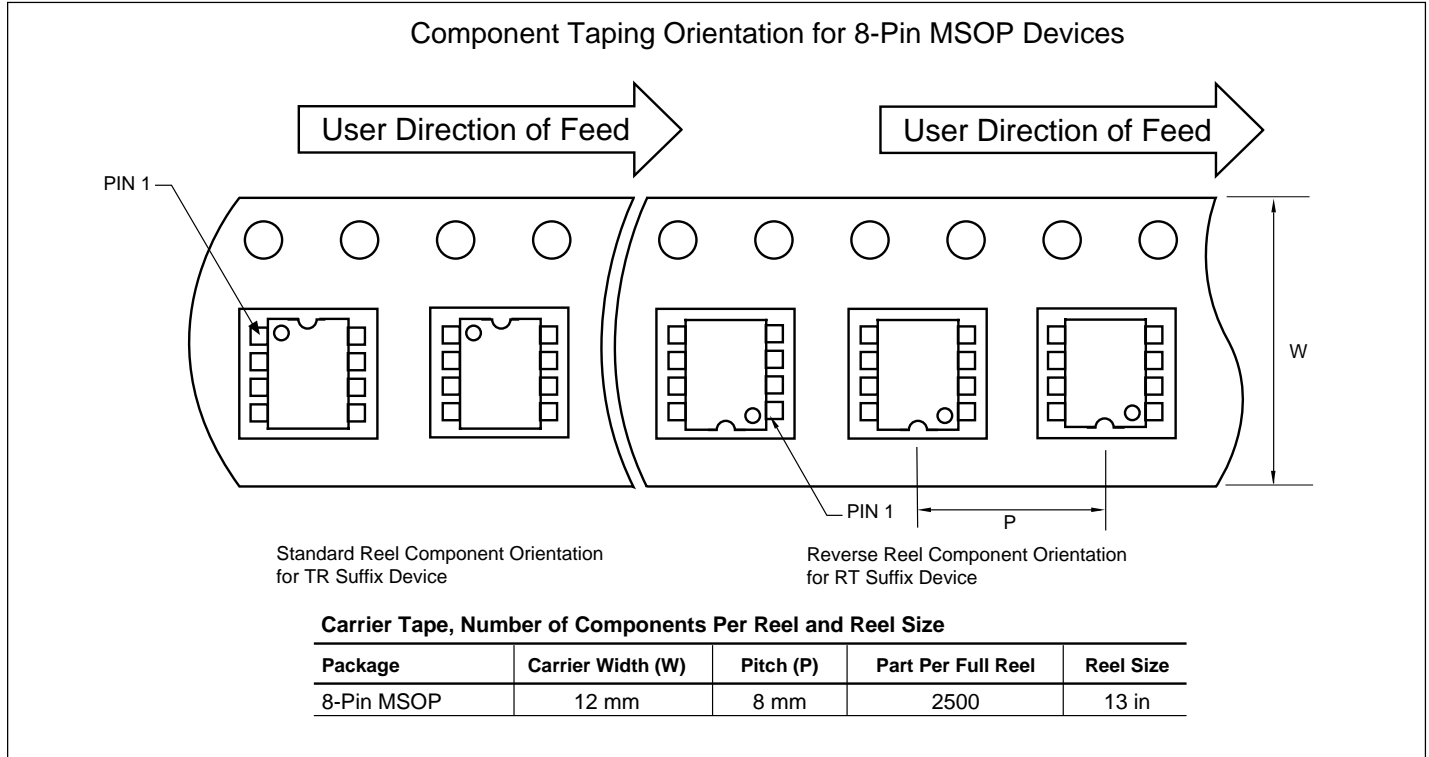
TYPICAL CHARACTERISTIC CURVES



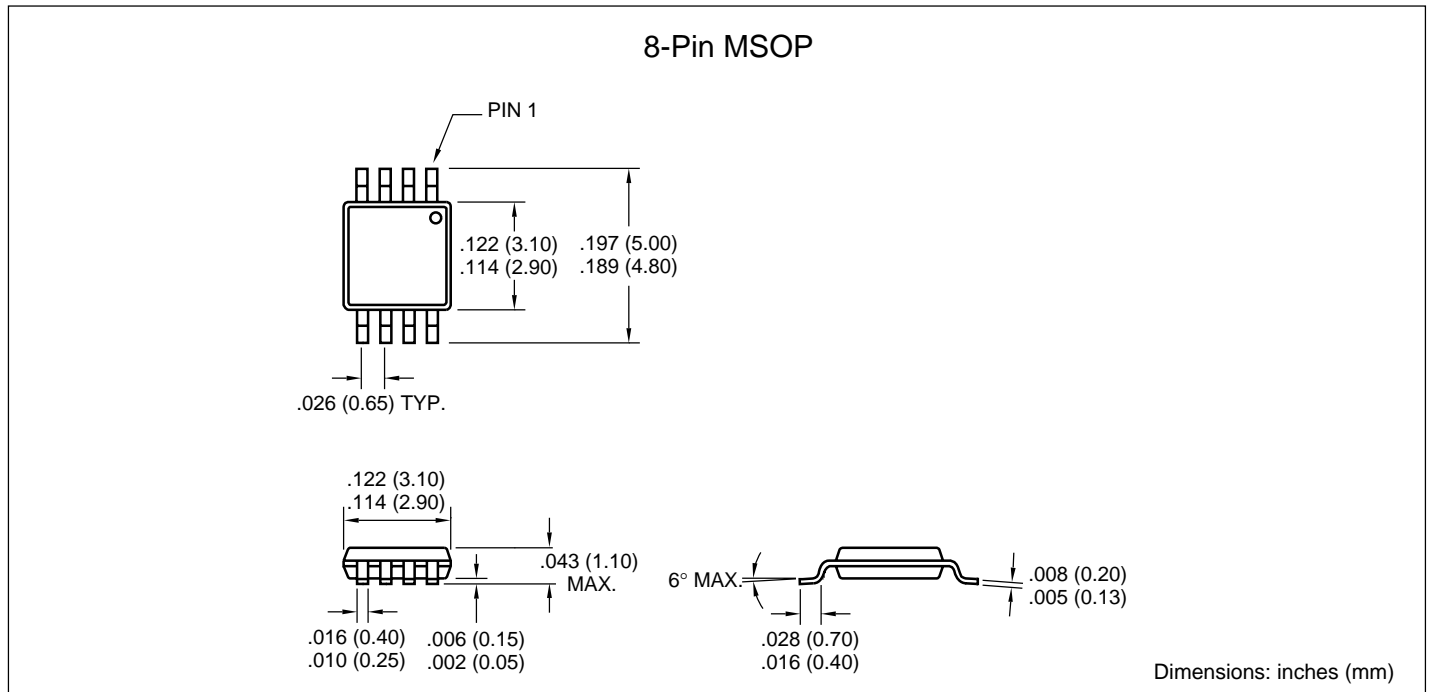
Integrated Temperature Sensor and Brushless DC Fan Controller with Fan Fault Detect and Over Temperature Alert

**TC652
TC653**

TAPE AND REEL DIAGRAM



PACKAGE DIMENSIONS



Trademarks: The Microchip name, logo, PIC, PICmicro, PICMASTER, PICSTART, PRO MATE, KEELOQ, SEEVAL, MPLAB and The Embedded Control Solutions Company are registered trademarks of Microchip Technology Incorporated in the U.S.A. and other countries. Total Endurance, ICSP, In-Circuit Serial Programming, FilterLab, MXDEV, microID, FlexROM, fuzzyLAB, MPASM, MPLINK, MPLIB, PICDEM, ICEPIC, Migratable Memory, FanSense, ECONOMONITOR and SelectMode are trademarks and SQTP is a service mark of Microchip in the U.S.A. All other trademarks mentioned herein are the property of their respective companies.



WORLDWIDE SALES AND SERVICE

AMERICAS

Corporate Office

2355 West Chandler Blvd.
Chandler, AZ 85224-6199
Tel: 480-792-7200 Fax: 480-792-7277
Technical Support: 480-792-7627
Web Address: <http://www.microchip.com>

Rocky Mountain

2355 West Chandler Blvd.
Chandler, AZ 85224-6199
Tel: 480-792-7966 Fax: 480-792-7456

Atlanta

500 Sugar Mill Road, Suite 200B
Atlanta, GA 30350
Tel: 770-640-0034 Fax: 770-640-0307

Austin

Analog Product Sales
8303 MoPac Expressway North
Suite A-201
Austin, TX 78759
Tel: 512-345-2030 Fax: 512-345-6085

Boston

2 Lan Drive, Suite 120
Westford, MA 01886
Tel: 978-692-3848 Fax: 978-692-3821

Boston

Analog Product Sales
Unit A-8-1 Millbrook Tarry Condominium
97 Lowell Road
Concord, MA 01742
Tel: 978-371-6400 Fax: 978-371-0050

Chicago

333 Pierce Road, Suite 180
Itasca, IL 60143
Tel: 630-285-0071 Fax: 630-285-0075

Dallas

4570 Westgrove Drive, Suite 160
Addison, TX 75001
Tel: 972-818-7423 Fax: 972-818-2924

Dayton

Two Prestige Place, Suite 130
Miamisburg, OH 45342
Tel: 937-291-1654 Fax: 937-291-9175

Detroit

Tri-Atria Office Building
32255 Northwestern Highway, Suite 190
Farmington Hills, MI 48334
Tel: 248-538-2250 Fax: 248-538-2260

Los Angeles

18201 Von Karman, Suite 1090
Irvine, CA 92612
Tel: 949-263-1888 Fax: 949-263-1338

Mountain View

Analog Product Sales
1300 Terra Bella Avenue
Mountain View, CA 94043-1836
Tel: 650-968-9241 Fax: 650-967-1590

New York

150 Motor Parkway, Suite 202
Hauppauge, NY 11788
Tel: 631-273-5305 Fax: 631-273-5335

San Jose

Microchip Technology Inc.
2107 North First Street, Suite 590
San Jose, CA 95131
Tel: 408-436-7950 Fax: 408-436-7955

Toronto

6285 Northam Drive, Suite 108
Mississauga, Ontario L4V 1X5, Canada
Tel: 905-673-0699 Fax: 905-673-6509

ASIA/PACIFIC

China - Beijing

Microchip Technology Beijing Office
Unit 915
New China Hong Kong Manhattan Bldg.
No. 6 Chaoyangmen Beidajie
Beijing, 100027, No. China
Tel: 86-10-85282100 Fax: 86-10-85282104

China - Shanghai

Microchip Technology Shanghai Office
Room 701, Bldg. B
Far East International Plaza
No. 317 Xian Xia Road
Shanghai, 200051
Tel: 86-21-6275-5700 Fax: 86-21-6275-5060

Hong Kong

Microchip Technology Hongkong Ltd.
Unit 901, Tower 2, Metroplaza
Kwai Fong, N.T., Hong Kong
Tel: 852-2401-1200 Fax: 852-2401-3431

India

Microchip Technology Inc.
India Liaison Office
Divyasree Chambers
1 Floor, Wing A (A3/A4)
No. 11, OIShaughnessey Road
Bangalore, 560 025, India
Tel: 91-80-2290061 Fax: 91-80-2290062

Japan

Microchip Technology Intl. Inc.
Benex S-1 6F
3-18-20, Shinyokohama
Kohoku-Ku, Yokohama-shi
Kanagawa, 222-0033, Japan
Tel: 81-45-471-6166 Fax: 81-45-471-6122

Korea

Microchip Technology Korea
168-1, Youngbo Bldg. 3 Floor
Samsung-Dong, Kangnam-Ku
Seoul, Korea
Tel: 82-2-554-7200 Fax: 82-2-558-5934

ASIA/PACIFIC (continued)

Singapore

Microchip Technology Singapore Pte Ltd.
200 Middle Road
#07-02 Prime Centre
Singapore, 188980
Tel: 65-334-8870 Fax: 65-334-8850

Taiwan

Microchip Technology Taiwan
11F-3, No. 207
Tung Hua North Road
Taipei, 105, Taiwan
Tel: 886-2-2717-7175 Fax: 886-2-2545-0139

EUROPE

Australia

Microchip Technology Australia Pty Ltd
Suite 22, 41 Rawson Street
Epping 2121, NSW
Australia
Tel: 61-2-9868-6733 Fax: 61-2-9868-6755

Denmark

Microchip Technology Denmark ApS
Regus Business Centre
Lautrup hoj 1-3
Ballerup DK-2750 Denmark
Tel: 45 4420 9895 Fax: 45 4420 9910

France

Arizona Microchip Technology SARL
Parc d'Activite du Moulin de Massy
43 Rue du Saule Trapu
Batiment A - 1er Etage
91300 Massy, France
Tel: 33-1-69-53-63-20 Fax: 33-1-69-30-90-79

Germany

Arizona Microchip Technology GmbH
Gustav-Heinemann Ring 125
D-81739 Munich, Germany
Tel: 49-89-627-144 0 Fax: 49-89-627-144-44

Germany

Analog Product Sales
Lochamer Strasse 13
D-82152 Martinsried, Germany
Tel: 49-89-895650-0 Fax: 49-89-895650-22

Italy

Arizona Microchip Technology SRL
Centro Direzionale Colleoni
Palazzo Taurus 1 V. Le Colleoni 1
20041 Agrate Brianza
Milan, Italy
Tel: 39-039-65791-1 Fax: 39-039-6899883

United Kingdom

Arizona Microchip Technology Ltd.
505 Eskdale Road
Winnersh Triangle
Wokingham
Berkshire, England RG41 5TU
Tel: 44 118 921 5869 Fax: 44-118 921-5820

All rights reserved. © 2001 Microchip Technology Incorporated. Printed in the USA. 1/01  Printed on recycled paper.

01/09/01

Information contained in this publication regarding device applications and the like is intended through suggestion only and may be superseded by updates. It is your responsibility to ensure that your application meets with your specifications. No representation or warranty is given and no liability is assumed by Microchip Technology Incorporated with respect to the accuracy or use of such information, or infringement of patents or other intellectual property rights arising from such use or otherwise. Use of Microchip's products as critical components in life support systems is not authorized except with express written approval by Microchip. No licenses are conveyed, implicitly or otherwise, except as maybe explicitly expressed herein, under any intellectual property rights. The Microchip logo and name are registered trademarks of Microchip Technology Inc. in the U.S.A. and other countries. All rights reserved. All other trademarks mentioned herein are the property of their respective companies.