

# High Precision Temperature-To-Voltage Converter

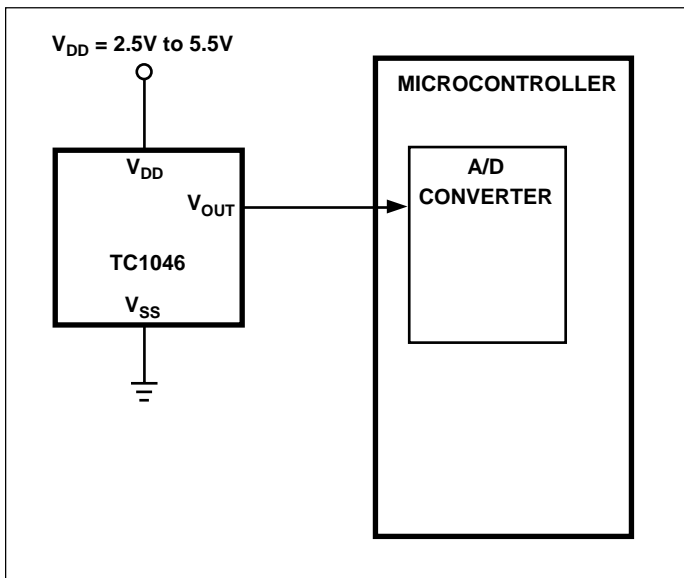
## FEATURES

- Supply Voltage Range ..... 2.7V to 4.4V  
..... 2.5V to 5.5V\*
- Wide Temperature Measurement Range .....  
..... -40°C to +125°C
- High Temperature Converter Accuracy .....  
..... ± 2°C, Max, at 25°C
- Linear Temperature Slope ..... 6.25 mV/°C
- Small 3-Pin SOT-23B Package
- Very Low Supply Current..... 35µA Typical

## TYPICAL APPLICATIONS

- Cellular Phones
- Power Supply Thermal Shutdown
- Temperature-Controlled Fans
- Temperature Measurement/Instrumentation
- Temperature Regulators
- Consumer Electronics
- Portable Battery Powered Equipment

## FUNCTIONAL BLOCK DIAGRAM



## GENERAL DESCRIPTION

The TC1046 is a linear output temperature sensor whose output voltage is directly proportional to measured temperature. The TC1046 can accurately measure temperature from -40°C to +125°C.

The output voltage range for this device is typically 174 mV at -40°C, 424 mV at 0°C, 580 mV at +25°C, and 1205 mV at +125°C. A 6.25 mV/°C voltage slope allows for the wide temperature range.

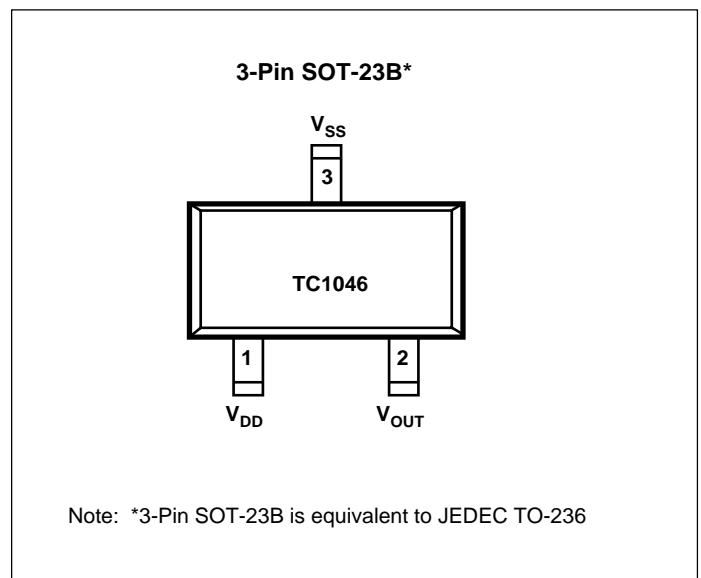
The TC1046 is packaged in space saving 3-Pin SOT-23B package, making it ideal for space critical applications.

## ORDERING INFORMATION

Part No.	Package	Temp. Range (Sensor)
TC1046VNB	3-Pin SOT-23B	-40°C to +125°C

\* Please contact Microchip Technology Inc. for devices with 2.5V to 5.5V supply voltage range.

## PIN CONFIGURATION



# High Precision Temperature-to-Voltage Converter

## TC1046

### ABSOLUTE MAXIMUM RATINGS\*

Supply Voltage .....	+7V
Voltage on Any Pin with Respect to Supplies .....	
.....	$V_{SS} - 0.3$ to $V_{DD} + 0.3V$
Operating Temperature .....	-40°C to +125°C
Storage Temperature Range .....	-55°C to +150°C
Lead Temperature (Soldering, 10 sec) .....	+260°C

\*Static-sensitive device. Unused devices must be stored in conductive material. Protect devices from static discharge and static fields. Stresses above those listed under Absolute Maximum Ratings may cause permanent damage to the device. These are stress ratings only and functional operation of the device at these or any other conditions above those indicated in the operational sections of the specifications is not implied. Exposure to Absolute Maximum Rating Conditions for extended periods may affect device reliability.

**ELECTRICAL CHARACTERISTICS:** These specifications apply for the entire supply voltage range and for  $T_A = -40^\circ\text{C}$  to  $+125^\circ\text{C}$ , unless otherwise specified.

Symbol	Parameter	Test Conditions	Min	Typ	Max	Units
$V_{DD}$	Supply Voltage		2.7	—	4.4	V
		Note 1	2.5	—	5.5	
$I_Q$	Supply Current, Operating		—	35	60	$\mu\text{A}$
$A_V$	Average Slope of Output Voltage		—	6.25	—	$\text{mV}/^\circ\text{C}$
$\text{TMP}_{\text{ACY}}$	Temperature Accuracy at 25°C	$T_A = 25^\circ\text{C}$	-2	$\pm 0.5$	+2	$^\circ\text{C}$
		$T_A = +125^\circ\text{C}$	-3	$\pm 0.5$	+3	$^\circ\text{C}$
		$T_A = -40^\circ\text{C}$	—	1.0	—	$^\circ\text{C}$
$V_{\text{OUT}}$	Output Voltage	$T_A = -40^\circ\text{C}$	—	174	—	mV
		$T_A = 25^\circ\text{C}$	568	580	592	mV
		$T_A = +125^\circ\text{C}$	1187	1205	1224	mV
$I_{\text{OUT}}$	Output Source and Sink Current		100	—	—	$\mu\text{A}$

**NOTES:** 1. Contact Microchip Technology Inc. for devices with a 2.5V to 5.5V supply voltage range.

### DETAILED DESCRIPTION

The TC1046 has an output voltage that varies linearly with temperature in degrees Celsius. Figure 1 shows a plot

of the output voltage versus temperature for the TC1046. The temperature slope is fixed at  $6.25 \text{ mV}/^\circ\text{C}$  and the output voltage at  $0^\circ\text{C}$  is 424 mV.

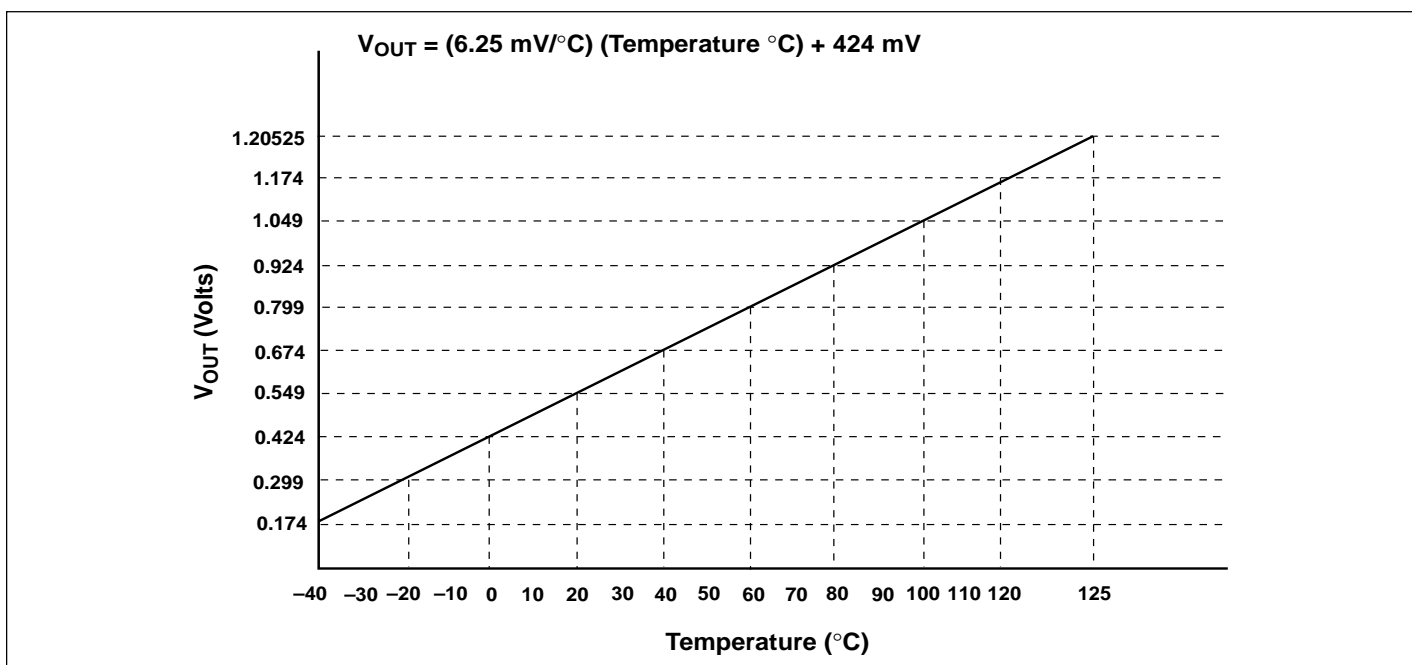
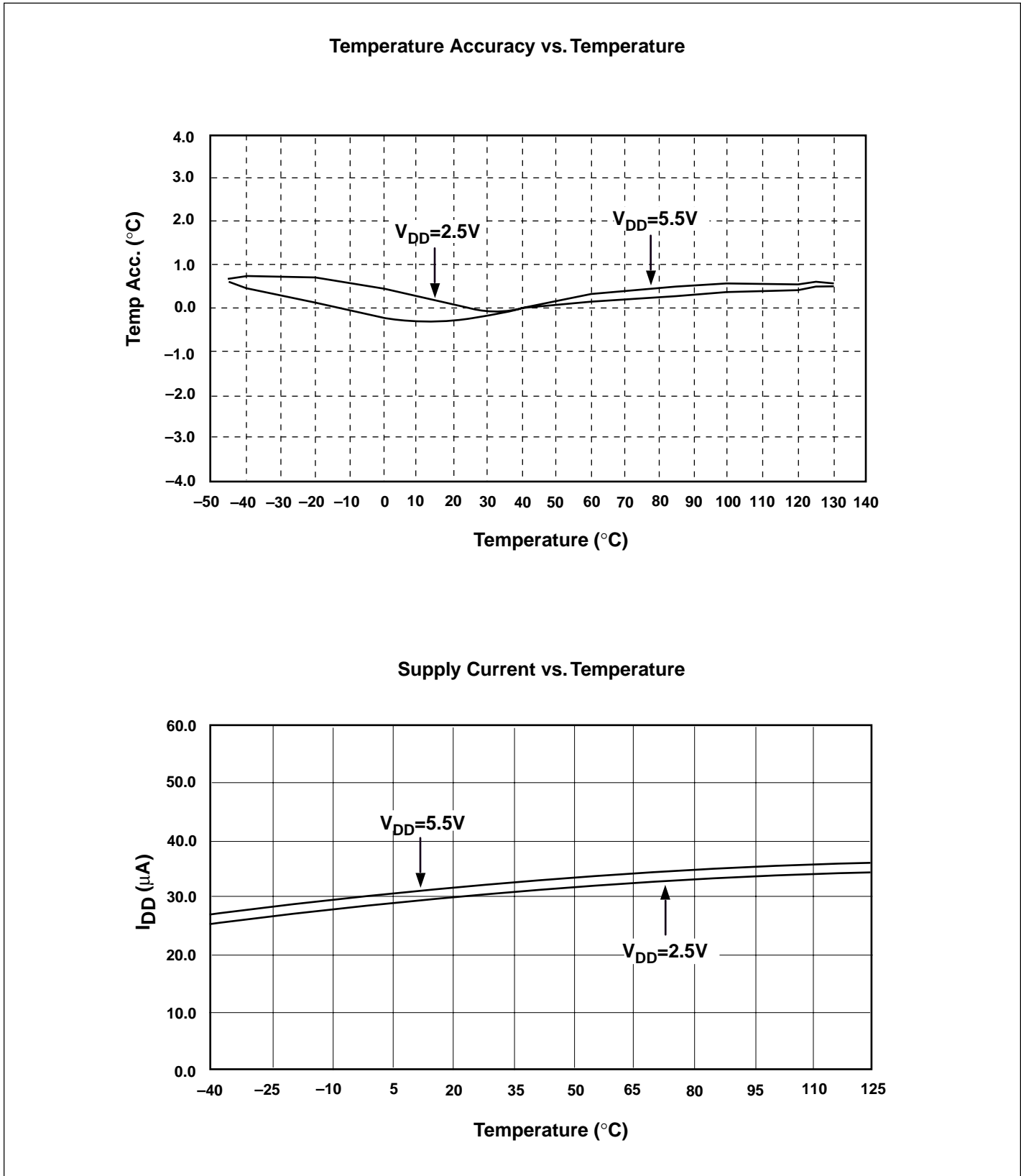


Figure 1. Output Voltage vs. Temperature for TC1046

## TYPICAL CHARACTERISTIC CURVES



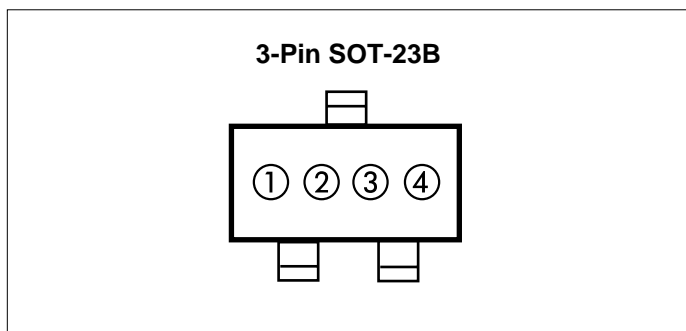
# High Precision Temperature-to-Voltage Converter

## TC1046

### PIN DESCRIPTION

Pin Number	Name	Description
1	V <sub>DD</sub>	Input Supply Voltage
2	V <sub>OUT</sub>	Temperature Sensor Output Terminal
3	V <sub>SS</sub>	Ground Terminal

### MARKINGS



① & ② = part number code + temperature range and voltage  
(two letter code)

Part Number	Code
TC1046VNB	AK

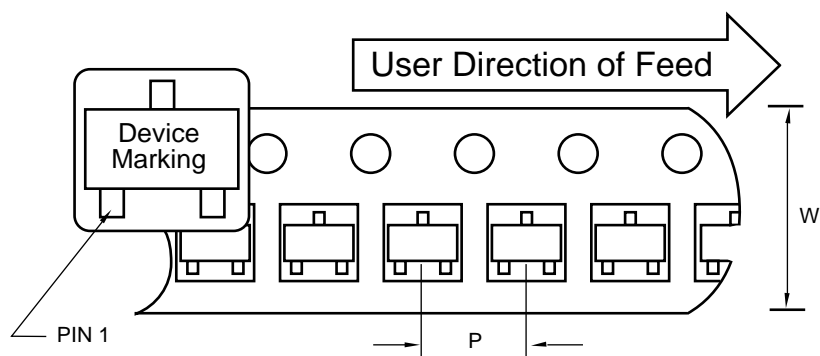
ex: 1046VNB= (A)(K)○○

③ represents year and 2-month period code

④ represents lot ID number

### TAPING FORM

#### Component Taping Orientation for 3-Pin SOT-23B (JEDEC TO-236) Devices



Standard Reel Component Orientation  
For TR Suffix Device  
(Mark Right Side Up)

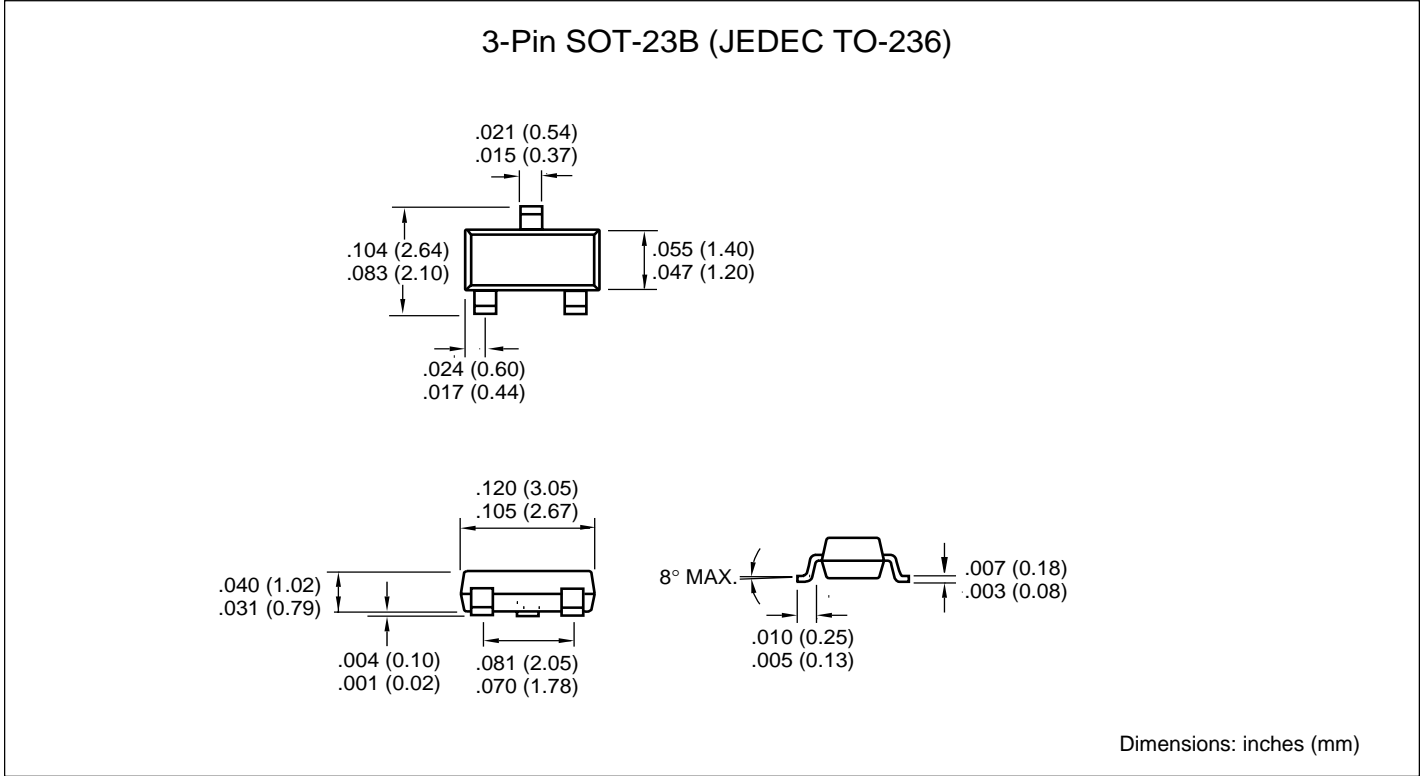
#### Carrier Tape, Number of Components Per Reel and Reel Size

Package	Carrier Width (W)	Pitch (P)	Part Per Full Reel	Reel Size
3-Pin SOT-23B	8 mm	4 mm	3000	7 in

# High Precision Temperature-to-Voltage Converter

TC1046

## PACKAGE DIMENSIONS





## WORLDWIDE SALES AND SERVICE

### AMERICAS

#### Corporate Office

2355 West Chandler Blvd.  
Chandler, AZ 85224-6199  
Tel: 480-792-7200 Fax: 480-792-7277  
Technical Support: 480-792-7627  
Web Address: <http://www.microchip.com>

#### Rocky Mountain

2355 West Chandler Blvd.  
Chandler, AZ 85224-6199  
Tel: 480-792-7966 Fax: 480-792-7456

#### Atlanta

500 Sugar Mill Road, Suite 200B  
Atlanta, GA 30350  
Tel: 770-640-0034 Fax: 770-640-0307

#### Austin

Analog Product Sales  
8303 MoPac Expressway North  
Suite A-201  
Austin, TX 78759  
Tel: 512-345-2030 Fax: 512-345-6085

#### Boston

2 Lan Drive, Suite 120  
Westford, MA 01886  
Tel: 978-692-3848 Fax: 978-692-3821

#### Boston

Analog Product Sales  
Unit A-8-1 Millbrook Tarry Condominium  
97 Lowell Road  
Concord, MA 01742  
Tel: 978-371-6400 Fax: 978-371-0050

#### Chicago

333 Pierce Road, Suite 180  
Itasca, IL 60143  
Tel: 630-285-0071 Fax: 630-285-0075

#### Dallas

4570 Westgrove Drive, Suite 160  
Addison, TX 75001  
Tel: 972-818-7423 Fax: 972-818-2924

#### Dayton

Two Prestige Place, Suite 130  
Miamisburg, OH 45342  
Tel: 937-291-1654 Fax: 937-291-9175

#### Detroit

Tri-Atria Office Building  
32255 Northwestern Highway, Suite 190  
Farmington Hills, MI 48334  
Tel: 248-538-2250 Fax: 248-538-2260

#### Los Angeles

18201 Von Karman, Suite 1090  
Irvine, CA 92612  
Tel: 949-263-1888 Fax: 949-263-1338

#### Mountain View

Analog Product Sales  
1300 Terra Bella Avenue  
Mountain View, CA 94043-1836  
Tel: 650-968-9241 Fax: 650-967-1590

#### New York

150 Motor Parkway, Suite 202  
Hauppauge, NY 11788  
Tel: 631-273-5305 Fax: 631-273-5335

#### San Jose

Microchip Technology Inc.  
2107 North First Street, Suite 590  
San Jose, CA 95131  
Tel: 408-436-7950 Fax: 408-436-7955

#### Toronto

6285 Northam Drive, Suite 108  
Mississauga, Ontario L4V 1X5, Canada  
Tel: 905-673-0699 Fax: 905-673-6509

### ASIA/PACIFIC

#### China - Beijing

Microchip Technology Beijing Office  
Unit 915  
New China Hong Kong Manhattan Bldg.  
No. 6 Chaoyangmen Beidajie  
Beijing, 100027, No. China  
Tel: 86-10-85282100 Fax: 86-10-85282104

#### China - Shanghai

Microchip Technology Shanghai Office  
Room 701, Bldg. B  
Far East International Plaza  
No. 317 Xian Xia Road  
Shanghai, 200051  
Tel: 86-21-6275-5700 Fax: 86-21-6275-5060

#### Hong Kong

Microchip Asia Pacific  
RM 2101, Tower 2, Metroplaza  
223 Hing Fong Road  
Kwai Fong, N.T., Hong Kong  
Tel: 852-2401-1200 Fax: 852-2401-3431

#### India

Microchip Technology Inc.  
India Liaison Office  
Divyasree Chambers  
1 Floor, Wing A (A3/A4)  
No. 11, OIShaughnessey Road  
Bangalore, 560 025, India  
Tel: 91-80-2290061 Fax: 91-80-2290062

#### Japan

Microchip Technology Intl. Inc.  
Benex S-1 6F  
3-18-20, Shinyokohama  
Kohoku-Ku, Yokohama-shi  
Kanagawa, 222-0033, Japan  
Tel: 81-45-471-6166 Fax: 81-45-471-6122

#### Korea

Microchip Technology Korea  
168-1, Youngbo Bldg. 3 Floor  
Samsung-Dong, Kangnam-Ku  
Seoul, Korea  
Tel: 82-2-554-7200 Fax: 82-2-558-5934

### ASIA/PACIFIC (continued)

#### Singapore

Microchip Technology Singapore Pte Ltd.  
200 Middle Road  
#07-02 Prime Centre  
Singapore, 188980  
Tel: 65-334-8870 Fax: 65-334-8850

#### Taiwan

Microchip Technology Taiwan  
11F-3, No. 207  
Tung Hua North Road  
Taipei, 105, Taiwan  
Tel: 886-2-2717-7175 Fax: 886-2-2545-0139

### EUROPE

#### Australia

Microchip Technology Australia Pty Ltd  
Suite 22, 41 Rawson Street  
Epping 2121, NSW  
Australia  
Tel: 61-2-9868-6733 Fax: 61-2-9868-6755

#### Denmark

Microchip Technology Denmark ApS  
Regus Business Centre  
Lautrup høj 1-3  
Ballerup DK-2750 Denmark  
Tel: 45 4420 9895 Fax: 45 4420 9910

#### France

Arizona Microchip Technology SARL  
Parc d'Activite du Moulin de Massy  
43 Rue du Saule Trapu  
Batiment A - 1er Etage  
91300 Massy, France  
Tel: 33-1-69-53-63-20 Fax: 33-1-69-30-90-79

#### Germany

Arizona Microchip Technology GmbH  
Gustav-Heinemann Ring 125  
D-81739 Munich, Germany  
Tel: 49-89-627-144 0 Fax: 49-89-627-144-44

#### Germany

Analog Product Sales  
Lochhamer Strasse 13  
D-82152 Martinsried, Germany  
Tel: 49-89-895650-0 Fax: 49-89-895650-22

#### Italy

Arizona Microchip Technology SRL  
Centro Direzionale Colleoni  
Palazzo Taurus 1 V. Le Colleoni 1  
20041 Agrate Brianza  
Milan, Italy  
Tel: 39-039-65791-1 Fax: 39-039-6899883

#### United Kingdom

Arizona Microchip Technology Ltd.  
505 Eskdale Road  
Winnersh Triangle  
Wokingham  
Berkshire, England RG41 5TU  
Tel: 44 118 921 5869 Fax: 44-118 921-5820

All rights reserved. © 2001 Microchip Technology Incorporated. Printed in the USA. 1/01  Printed on recycled paper.

01/09/01

Information contained in this publication regarding device applications and the like is intended through suggestion only and may be superseded by updates. It is your responsibility to ensure that your application meets with your specifications. No representation or warranty is given and no liability is assumed by Microchip Technology Incorporated with respect to the accuracy or use of such information, or infringement of patents or other intellectual property rights arising from such use or otherwise. Use of Microchip's products as critical components in life support systems is not authorized except with express written approval by Microchip. No licenses are conveyed, implicitly or otherwise, except as maybe explicitly expressed herein, under any intellectual property rights. The Microchip logo and name are registered trademarks of Microchip Technology Inc. in the U.S.A. and other countries. All rights reserved. All other trademarks mentioned herein are the property of their respective companies.