

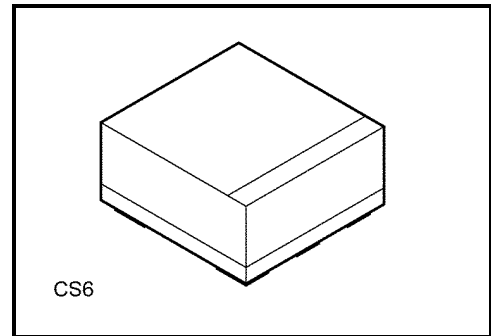
TOSHIBA Bipolar Linear Integrated Circuit Silicon Monolithic

TA4014FC

Use for Crystal Oscillator

Features

- Bias resistors, a transistor for oscillation and a transistor for buffer are packed in one package; hence, TA4014FC can easily compose a crystal oscillator
- TA4014FC comes with a 6-pin CSP (1.0 mm × 0.95 mm) and is suitable for super-high density mounting.



Weight: 0.0012 g (typ.)

Maximum Ratings (Ta = 25°C)

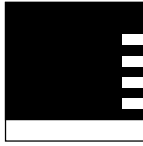
Characteristics	Symbol	Rating	Unit
Power supply voltage	V _{CC}	6	V
Circuit current	I _{CC}	8	mA
Total power dissipation	P _D	72	mW
Operating temperature	T _{opr}	-40 to +85	°C
Storage temperature	T _{stg}	-55 to +125	°C

Electrical Characteristics (Ta = 25°C)

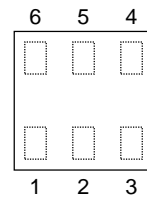
Characteristics	Symbol	Test Condition	Min	Typ.	Max	Unit
Circuit current	I _{CC}	V _{CC} = 3.0 V	1.08	1.27	1.52	mA
Oscillator base voltage	V _{OscB}	V _{CC} = 3.0 V	1.34	1.51	1.67	V
Oscillator emitter voltage	V _{OscE}	V _{CC} = 3.0 V	0.63	0.79	0.96	V
Buffer base voltage	V _{BuffB}	V _{CC} = 3.0 V	2.05	2.29	2.53	V
Fout voltage	V _{Fout}	V _{CC} = 3.0 V	2.03	2.26	2.52	V

Characteristics	Symbol	Typ.	Unit
R1 resistance	R1	5.6	kΩ
R2 resistance	R2	6.9	kΩ
R3 resistance	R3	15	kΩ
R4 resistance	R4	640	Ω
R5 resistance	R5	670	Ω

Marking (Top View)



Pin Assignment (Top View)

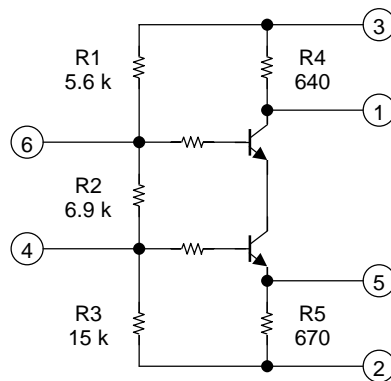


- 1. Fout
- 2. GND
- 3. V_{CC}
- 4. OSC B
- 5. OSC E
- 6. Buff B

Caution

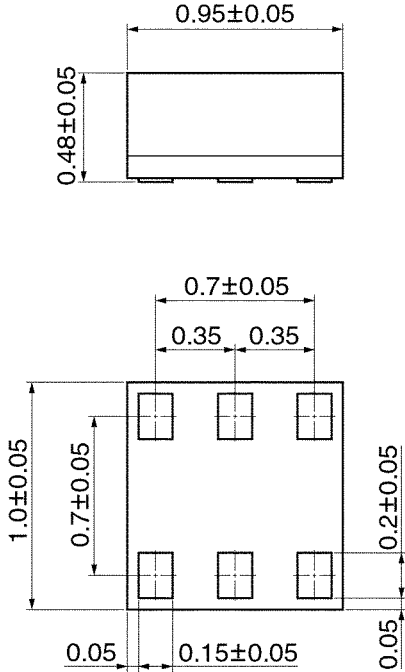
Because of this product structure, when handling this product, please be sure to product work desk, human body and soldering irons from electrostatics.

Equivalent Circuit Diagram



Package Dimensions

Unit: mm



Weight: 0.0012 g (typ.)

RESTRICTIONS ON PRODUCT USE

000707EBA

- TOSHIBA is continually working to improve the quality and reliability of its products. Nevertheless, semiconductor devices in general can malfunction or fail due to their inherent electrical sensitivity and vulnerability to physical stress. It is the responsibility of the buyer, when utilizing TOSHIBA products, to comply with the standards of safety in making a safe design for the entire system, and to avoid situations in which a malfunction or failure of such TOSHIBA products could cause loss of human life, bodily injury or damage to property.
In developing your designs, please ensure that TOSHIBA products are used within specified operating ranges as set forth in the most recent TOSHIBA products specifications. Also, please keep in mind the precautions and conditions set forth in the "Handling Guide for Semiconductor Devices," or "TOSHIBA Semiconductor Reliability Handbook" etc..
- The TOSHIBA products listed in this document are intended for usage in general electronics applications (computer, personal equipment, office equipment, measuring equipment, industrial robotics, domestic appliances, etc.). These TOSHIBA products are neither intended nor warranted for usage in equipment that requires extraordinarily high quality and/or reliability or a malfunction or failure of which may cause loss of human life or bodily injury ("Unintended Usage"). Unintended Usage include atomic energy control instruments, airplane or spaceship instruments, transportation instruments, traffic signal instruments, combustion control instruments, medical instruments, all types of safety devices, etc.. Unintended Usage of TOSHIBA products listed in this document shall be made at the customer's own risk.
- The products described in this document are subject to the foreign exchange and foreign trade laws.
- The information contained herein is presented only as a guide for the applications of our products. No responsibility is assumed by TOSHIBA CORPORATION for any infringements of intellectual property or other rights of the third parties which may result from its use. No license is granted by implication or otherwise under any intellectual property or other rights of TOSHIBA CORPORATION or others.
- The information contained herein is subject to change without notice.