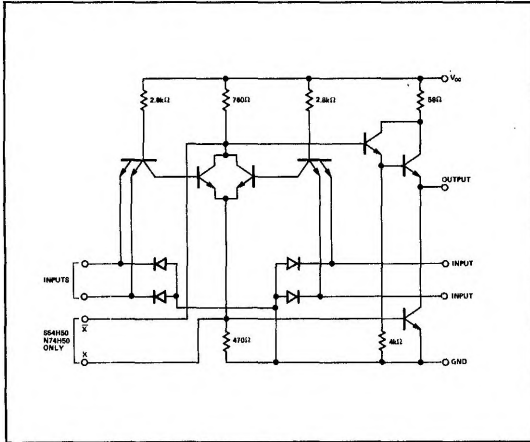


S54H50-A,F,W • S54H51-A,F,W • N74H50-A,F • N74H51-A,F

DIGITAL 54/74 TTL SERIES

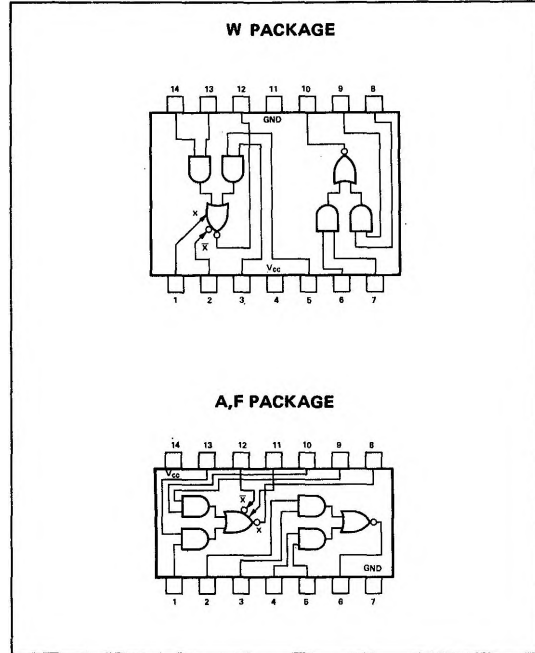
#### SCHEMATIC (each gate)



#### NOTES:

- Component values are nominal.
- Both expander inputs are used simultaneously for expanding.
- If expander is not used leave X and X pins open.
- Expander inputs X and X are functional on the S54H50 and N74H50 circuits only. Make no external connection to X and X pins of the S54H51 and N74H51.
- A total of four S54H60/N74H60 expander gates or one S54H62/N74H62 expander gate may be connected to the expander inputs.

#### PIN CONFIGURATIONS



#### RECOMMENDED OPERATING CONDITIONS

	MIN	NOM	MAX	UNIT
Supply Voltage $V_{CC}$ : S54H50, S54H51 Circuits N74H50, N74H51 Circuits	4.5	5	5.5	V
	4.75	5	5.25	V
Normalized Fan-Out from each Output, N			10	
Operating Free-Air Temperature Range, $T_A$ : S54H50, S54H51 Circuits N74H50, N74H51 Circuits	-55	25	125	°C
	0	25	70	°C

#### ELECTRICAL CHARACTERISTICS (over recommended operating free-air temperature range unless otherwise noted)

PARAMETER	TEST CONDITIONS*	MIN	TYP†	MAX	UNIT
$V_{in(1)}$	Logical 1 input voltage required at both input terminals of either AND section to ensure logical 0 at output	$V_{CC} = \text{MIN}$	2		V
$V_{in(0)}$	Logical 0 input voltage required at one input terminal of each AND section to ensure logical 1 at output	$V_{CC} = \text{MIN}$		0.8	V
$V_{out(1)}$	Logical 1 output voltage	$V_{CC} = \text{MIN}$ , $I_{load} = -500\mu\text{A}$	$V_{in} = 0.8\text{V}$ ,	2.4	V
$V_{out(0)}$	Logical 0 output voltage	$V_{CC} = \text{MIN}$ , $I_{sink} = 20\text{mA}$	$V_{in} = 2\text{V}$ ,	0.4	V
$I_{in(0)}$	Logical 0 level input current (each input)	$V_{CC} = \text{MAX}$ ,	$V_{in} = 0.4\text{V}$	-2	mA
$I_{in(1)}$	Logical 1 level input current (each input)	$V_{CC} = \text{MAX}$ , $V_{CC} = \text{MAX}$ ,	$V_{in} = 2.4\text{V}$ , $V_{in} = 5.5\text{V}$	50 1	$\mu\text{A}$ mA

# DIGITAL 54/74 TTL SERIES ■ S54H50, S54H51, N74H50, N74H51

## ELECTRICAL CHARACTERISTICS (Cont'd)

PARAMETER	TEST CONDITIONS	MIN	TYP	MAX	UNIT
$I_{OS}$	Short circuit output current **	$V_{CC} = MAX$	-40	-100	mA
$I_{CC(0)}$	Logical 0 level supply current	$V_{CC} = MAX, V_{in} = 4.5V$	15.2	24	mA
$I_{CC(1)}$	Logical 1 level supply current	$V_{CC} = MAX, V_{in} = 0$	8.2	12.8	mA

## ELECTRICAL CHARACTERISTICS (S54H50 circuits only) using expander inputs, $V_{CC} = 4.5V, T_A = -55^\circ C$

PARAMETER	TEST CONDITIONS	MIN	TYP	MAX	UNIT
$I_{in\bar{X}}$	Expander-node input current	$V_{\bar{X}} = 1.4V$		-5.85	mA
$V_{BE(Q)}$	Base-emitter voltage of output transistor Q	$I_{sink} = 20mA, I_1 = 700\mu A, R_1 = 0$		1	V
$V_{out(1)}$	Logical 1 output voltage	$I_{load} = -500\mu A, I_2 = -320\mu A, I_1 = 320\mu A$	2.4		V
$V_{out(0)}$	Logical 0 output voltage	$I_{sink} = 20mA, I_1 = 470\mu A, R_1 = 68\Omega$		0.4	V

## ELECTRICAL CHARACTERISTICS (N74H50 circuits only) using expander inputs, $V_{CC} = 4.5V, T_A = 0^\circ C$

PARAMETER	TEST CONDITIONS	MIN	TYP	MAX	UNIT
$I_{in\bar{X}}$	Expander-node input current	$V_{\bar{X}} = 1.4V$		-6.3	mA
$V_{BE(Q)}$	Base-emitter voltage of output transistor Q	$I_{sink} = 20mA, I_1 = 1.1mA, R_1 = 0$		1	V
$V_{out(1)}$	Logical 1 output voltage	$I_{load} = -500\mu A, I_2 = -570\mu A, I_1 = 570\mu A$	2.4		V
$V_{out(0)}$	Logical 0 output voltage	$I_{sink} = 20mA, I_1 = 600\mu A, R_1 = 63\Omega$		0.4	V

## SWITCHING CHARACTERISTICS, $V_{CC} = 5V, T_A = 25^\circ C, N = 10$ , expander pins are open

PARAMETER	TEST CONDITIONS	MIN	TYP	MAX	UNIT
$t_{pd0}$	Propagation delay time to logical 0 level	$C_L = 25pF, R_L = 280\Omega$	6.2	11	ns
$t_{pd1}$	Propagation delay time to logical 1 level	$C_L = 25pF, R_L = 280\Omega$	6.8	11	ns

## SWITCHING CHARACTERISTICS, (S54H50/N74H50 circuits only), $V_{CC} = 5V, T_A = 25^\circ C, N = 10, C_X = 15 pF$

PARAMETER	TEST CONDITIONS	MIN	TYP	MAX	UNIT
$t_{pd0}$	Propagation delay time to logical 0 level	$C_L = 25pF, R_L = 280\Omega$	7.4		ns
$t_{pd1}$	Propagation delay time to logical 1 level	$C_L = 25pF, R_L = 280\Omega$	11		ns

\* For conditions shown as MIN or MAX, use the appropriate value specified under recommended operating conditions for the applicable device type. Expander pins are open.

\*\* Not more than one output should be shorted at a time, and duration of short circuit test should not exceed 1 second.

† All typical values are at  $V_{CC} = 5V, T_A = 25^\circ C$ .