

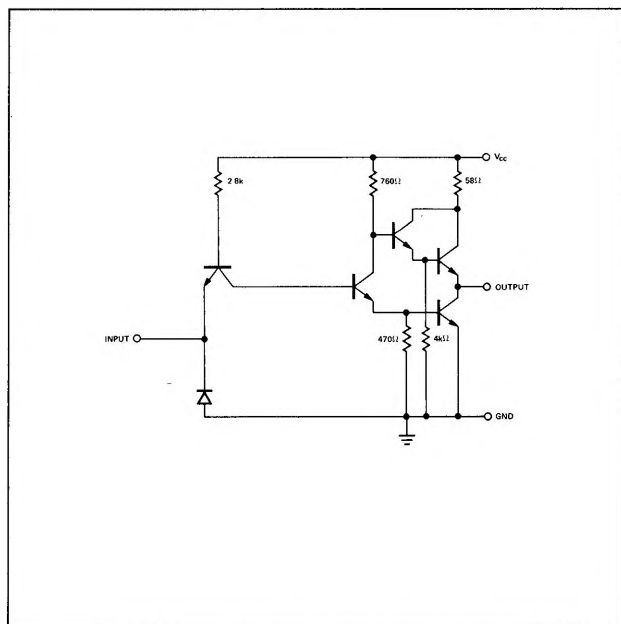
HEX INVERTER

S54H04 N74H04

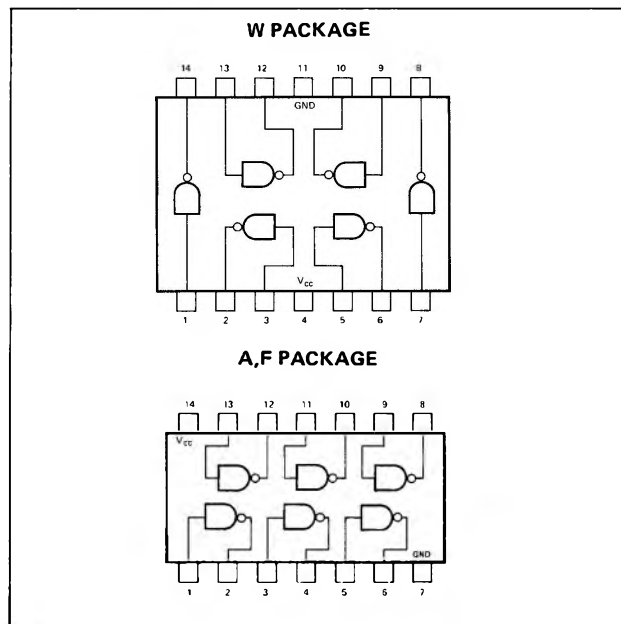
S54H04—A,F,W • N74H04—A,F

DIGITAL 54/74 TTL SERIES

SCHEMATIC (each inverter)



PIN CONFIGURATIONS



RECOMMENDED OPERATING CONDITIONS

	MIN	NOM	MAX	UNIT
Supply Voltage V_{CC} : S54H04 Circuits	4.5	5	5.5	V
N74H04 Circuits	4.75	5	5.25	V
Normalized Fan-Out from each Output, N			10	
Operating Free-Air Temperature Range, T_A : S54H04 Circuits	-55	25	125	°C
N74H04 Circuits	0	25	70	°C

ELECTRICAL CHARACTERISTICS (over recommended operating free-air temperature range unless otherwise noted)

PARAMETER	TEST CONDITIONS*	MIN	TYP**	MAX	UNIT
$V_{in(1)}$	Logical 1 input voltage required at input terminal to ensure logical 0 level at output	$V_{CC} = \text{MIN},$	2		V
$V_{in(0)}$	Logical 0 input voltage required at input terminal to ensure logical 1 level at output	$V_{CC} = \text{MIN},$		0.8	V
$V_{out(1)}$	Logical 1 output voltage	$V_{CC} = \text{MIN},$ $I_{load} = -500\mu A$	2.4		V
$V_{out(0)}$	Logical 0 output voltage	$V_{CC} = \text{MIN},$ $I_{sink} = 20\text{mA}$		0.4	V
$I_{in(0)}$	Logical 0 level input current	$V_{CC} = \text{MAX},$ $V_{in} = 0.4\text{V}$		-2	mA
$I_{in(1)}$	Logical 1 level input current	$V_{CC} = \text{MAX},$ $V_{CC} = \text{MAX},$ $V_{CC} = \text{MAX},$	$V_{in} = 2.4\text{V}$ $V_{in} = 5.5\text{V}$	50 1	μA mA
I_{OS}	Short circuit output current †	$V_{CC} = \text{MAX},$	-40	-100	mA
$I_{CC(0)}$	Logical 0 level supply current	$V_{CC} = \text{MAX},$ $V_{in} = 4.5\text{V},$	40.0	58.0	mA
$I_{CC(1)}$	Logical 1 level supply current	$V_{CC} = \text{MAX},$ $V_{in} = 0,$	16.0	26.0	mA

SIGNETICS DIGITAL 54/74 TTL SERIES — S54H04 • N74H04

SWITCHING CHARACTERISTICS, $V_{CC} = 5V$, $T_A = 25^\circ C$, $N = 10$

PARAMETER		TEST CONDITIONS		MIN	TYP	MAX	UNIT
t_{pd0}	Propagation delay time to logical 0 level	$C_L = 25pF$,	$R_L = 280\Omega$		6.5	10	ns
t_{pd1}	Propagation delay time to logical 1 level	$C_L = 25pF$,	$R_L = 280\Omega$		9.0	13.0	ns

- * For conditions shown as MIN or MAX, use the appropriate value specified under recommended operating conditions for the applicable device type.
- ** All typical values are at $V_{CC} = 5V$, $T_A = 25^\circ C$.
- † Not more than one output should be shorted at a time.