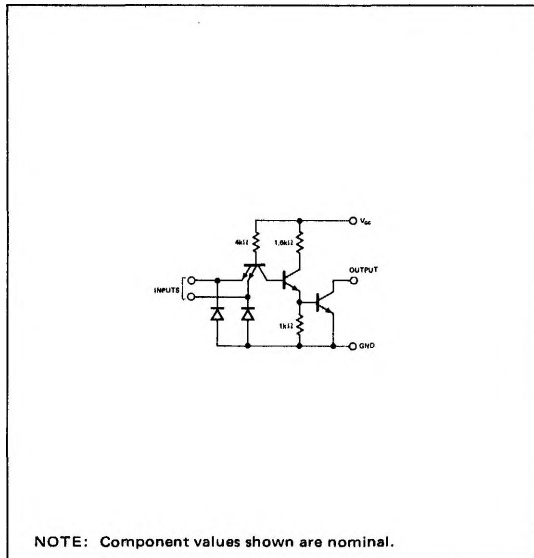


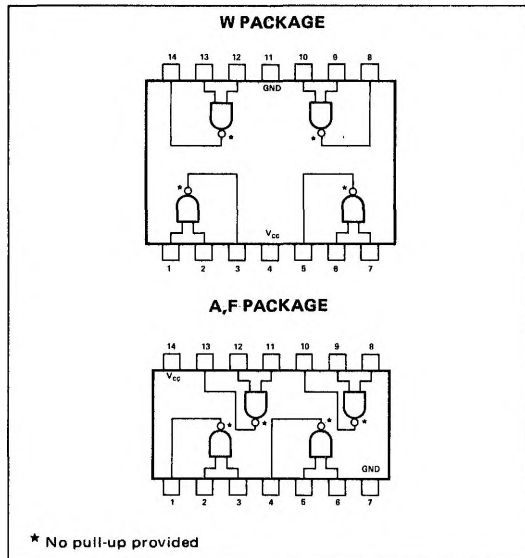
S5401-A,F,W • N7401-A,F

DIGITAL 54/74 TTL SERIES

SCHEMATIC (each gate)



PIN CONFIGURATIONS



RECOMMENDED OPERATING CONDITIONS

Supply Voltage V_{CC} : S5401 Circuits N7401 Circuits	MIN	NOM	MAX	UNIT
	4.5	5	5.5	V
Normalized Fan-Out from each Output, N Operating Free-Air Temperature Range, T_A : S5401 Circuits N7401 Circuits	4.75	5	5.25	V
	-55	25	125	$^{\circ}C$
	0	25	70	$^{\circ}C$

ELECTRICAL CHARACTERISTICS (over recommended operating free-air temperature range unless otherwise noted)

PARAMETER	TEST CONDITIONS*	MIN	TYP**	MAX	UNIT
$V_{in(1)}$	Logical 1 input voltage required at both input terminals to ensure logical 0 (on) level at output	$V_{CC} = \text{MIN}$	2		V
$V_{in(0)}$	Logical 0 input voltage required at either input terminal to ensure logical 1 (off) level at output	$V_{CC} = \text{MIN}$		0.8	V
$I_{out(1)}$	Output reverse current	$V_{CC} = \text{MIN}$, $V_{out(1)} = 5.5V$		250	μA
$V_{out(0)}$	Logical 0 output voltage (on level)	$V_{CC} = \text{MIN}$, $I_{sink} = 16mA$	$V_{in} = 2V$,	0.4	V
$I_{in(0)}$	Logical 0 level input current (each input)	$V_{CC} = \text{MAX}$,	$V_{in} = 0.4V$	-1.6	mA
$I_{in(1)}$	Logical 1 level input current (each input)	$V_{CC} = \text{MAX}$,	$V_{in} = 2.4V$ $V_{in} = 5.5V$	40 1	μA mA
$I_{CC(0)}$	Logical 0 level supply current	$V_{CC} = \text{MAX}$,	$V_{in} = 5V$	12 22	mA
$I_{CC(1)}$	Logical 1 level supply current	$V_{CC} = \text{MAX}$	$V_{in} = 0$	4 8	mA

SWITCHING CHARACTERISTICS, $V_{CC} = 5V$, $T_A = 25^\circ C$

PARAMETER		TEST CONDITIONS		MIN	TYP	MAX	UNIT
t_{pd0}	Propagation delay time to logical 0 level	$C_L = 15pF$,	$R_L = 400\Omega$		8	15	ns
t_{pd1}	Propagation delay time to logical 1 level	$C_L = 15pF$,	$R_L = 4 k\Omega$		35	45	ns

* For conditions shown as MIN or MAX, use the appropriate value specified under recommended operating conditions for the applicable device type.

** All typical values are at $V_{CC} = 5V$, $T_A = 25^\circ C$