

# MN88831

## PCM Audio Decoder LSI for Satellite Broadcasting Tuners (Includes Built-In Digital Filter and D/A Converter)

### ■ Overview

The MN88831 greatly streamlines set design by incorporating a satellite broadcasting PCM audio decoder, a switched capacitor D/A converter, and analog post filter to a single chip.

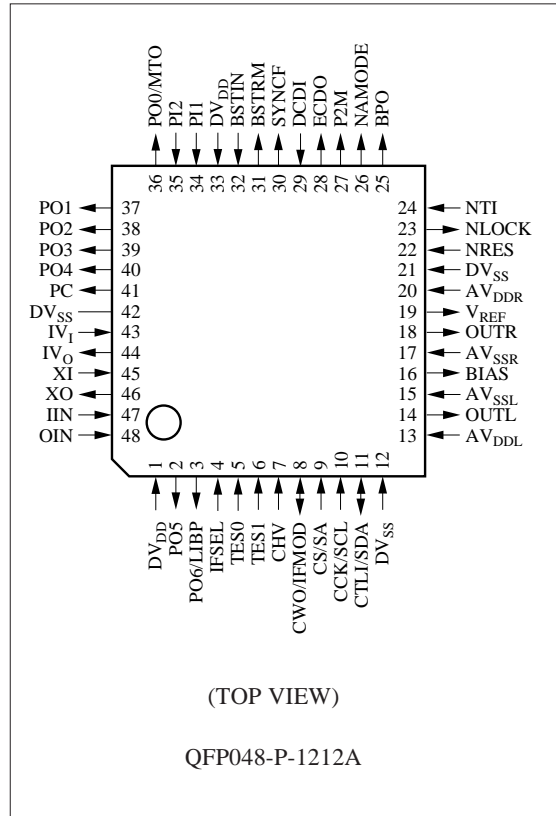
### ■ Features

- Built-in digital filter using 8-fold oversampling
- Built-in tertiary  $\Delta$ - $\Sigma$  noise shaping D/A converter
- Reduced jitter noise through use of switched capacitor configuration
- Built-in analog post filter
- Built-in digital de-emphasis circuit
- Choice of microcomputer interfaces with selector pin:
  - 3-wired serial interface or I<sup>2</sup>C interface
- Muting function supporting following settings
  - Pay-per-view flag detection
  - Error frequency detection
  - Detection of control code bit-7
- Built-in general-purpose microcomputer I/O port
- Bit stream input pin supporting 0.4 V<sub>p,p</sub> input

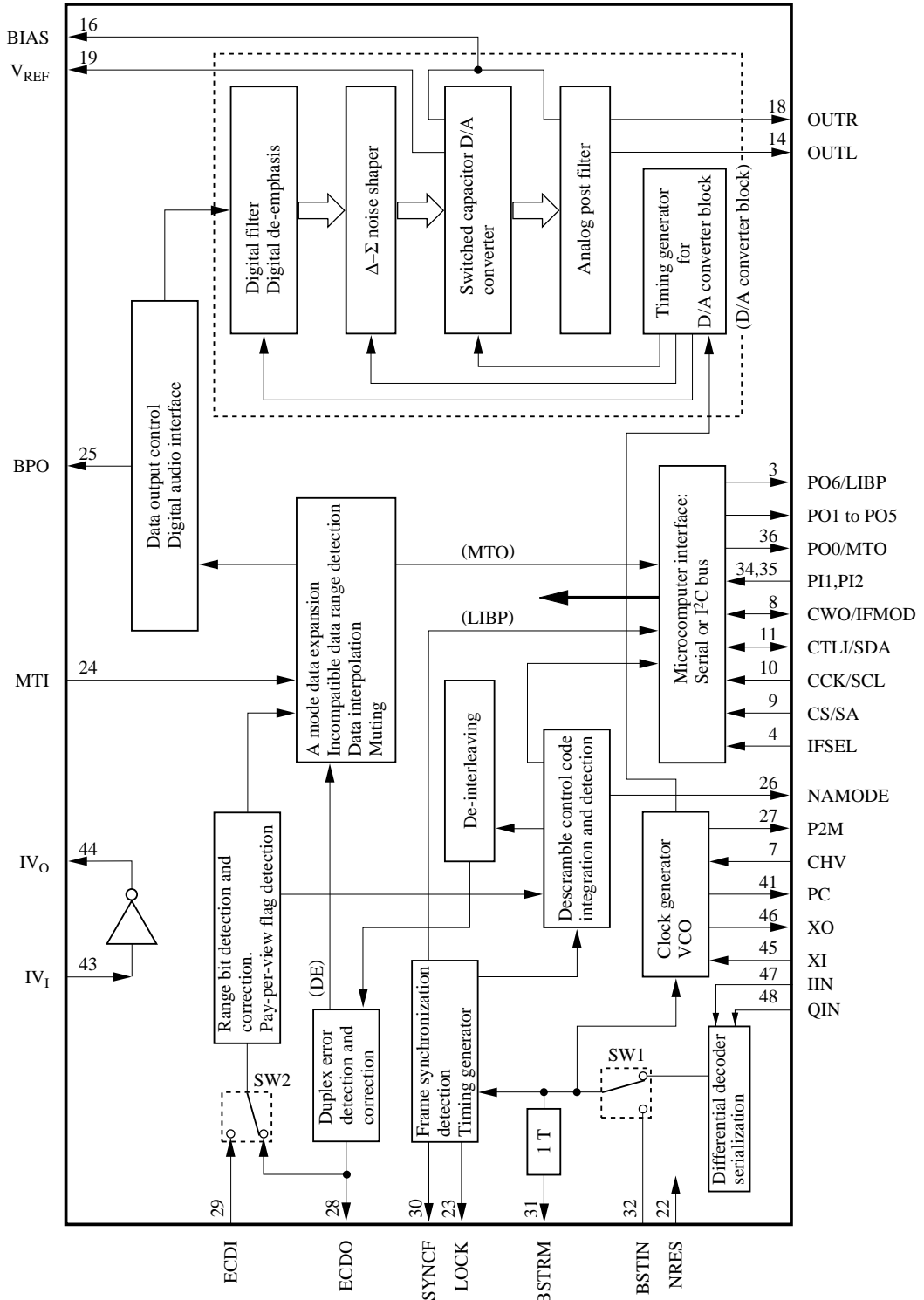
### ■ Applications

- Satellite broadcasting tuners (BS, CS)

### ■ Pin Assignment



■ Block Diagram



### ■ Absolute Maximum Ratings

Parameter	Symbol	Ratings	Unit
Power supply voltage	$V_{DD}$	- 0.3 to 7.0	V
Input voltage	$V_I$	- 0.3 to $V_{DD} + 0.3$	V
Output voltage	$V_O$	- 0.3 to $V_{DD} + 0.3$	V
Output current	$I_O$	25	mA
Power dissipation	$P_D$	480	mW
Operating temperature	$T_{opr}$	-20 to +70	°C
Storage temperature	$T_{stg}$	-55 to +125	°C

Notes:

1. The above ratings represent the maximum values that may be applied without damaging the chip, not the limits for guaranteed operation.
2. If the chip is to be used in the presence of strong electric fields—under a CRT tube, for example—apply shielding to the package surface to ensure proper operation.
3. The power dissipation is for an ambient temperature ( $T_a$ ) of 70°C.
4. The voltages applied to the pins CCK/SCL, CTLI/SDA, CWO/IFMOD, PO0/MTO, PO1–PO5, and PO6/LIBP must be within the range between -0.3V and 5.5V when the power is off.

### ■ Operating Conditions

$$DV_{SS}=AV_{SS}=0V$$

Parameter	Symbol	Test Conditions	min	typ	max	Unit
Power supply voltage for digital circuits	$DV_{DD}$	(*1)	4.5	5.0	5.5	V
Power supply voltage for analog circuits	$AV_{DD}$	(*2)	4.5	5.0	5.5	V
XI clock frequency	$f_{XI}$	CHV="H" (256fs mode)		12.288		MHz
XI clock frequency	$f_{XI}$	CHV="L" (384fs mode)		18.432		MHz
XI clock input amplitude	—	C cut input	0.8		3.0	$V_{P-P}$
BSTIN input amplitude	—	C cut input	0.35	0.5		$V_{P-P}$
Ambient temperature during operation	$T_a$		-20		+70	°C

Notes:

1. \*1 & \*2:

For the logic portions of the microcomputer interface,  $DV_{DD} \text{ min} = 4.0V$ .

$AV_{DD}$  covers both  $AV_{DDL}$  and  $AV_{DDR}$ .

$AV_{SS}$  covers both  $AV_{SSL}$  and  $AV_{SSR}$ .

Analog characteristics are only guaranteed for  $DV_{DD} = AV_{DD} = 5.0V$ .

2. Always use low-impedance external connections for  $V_{DD}$  and  $V_{SS}$ .  
Always connect the two through a bypass capacitor of at least 0.01  $\mu F$  to ensure proper operation.
3. Keep the NRES pin (pin No. 22) at "L" level to prevent operation error of the CTLI/SDA pin in the I<sup>2</sup>C interface at voltages lower than the guaranteed operating power supply voltage.

## ■ Electrical Characteristics

### (1) DC characteristics

$AV_{DD}=DV_{DD}=4.5$  to  $5.5V$ ,  $AV_{SS}=DV_{SS}=0V$ ,  $T_a = -20$  to  $+70^{\circ}C$

Parameter	Symbol	Test Conditions	min	typ	max	Unit
Power supply current	$I_{DD1}$	No load, $V_{DD}=5.5V$ 384fs		56	80	mA
	$I_{DD2}$	No load, $V_{DD}=5.5V$ 256fs		56	80	mA
Digital input pins 1 (*1)						
"H" level input voltage	$V_{IH1}$		$0.7 \times DV_{DD}$		$DV_{DD}$	V
"L" level input voltage	$V_{IL1}$		$DV_{SS}$		$0.3 \times DV_{DD}$	V
Digital input pins 2 (*2)						
"H" level input voltage	$V_{IH2}$		$0.8 \times DV_{DD}$		$DV_{DD}$	V
"L" level input voltage	$V_{IL2}$		$DV_{SS}$		$0.2 \times DV_{DD}$	V
Digital output pins 1 (*3)						
"H" level output voltage	$V_{OH1}$	$I_{OH1} = -1mA$	$DV_{DD} - 0.8$			V
"L" level output voltage	$V_{OL1}$	$I_{OL1} = +1mA$			0.5	V
Digital output pins 2 (*4)						
"L" level output voltage	$V_{OL2}$	$I_{OL2} = +1mA$			0.5	V
High-impedance output leakage current	$I_{LO}$	$V_O = \text{High-impedance state}$ $V_I = 0V$ to $DV_{DD}$			$\pm 10$	$\mu A$
Digital output pins 3 (*5)						
"L" level output voltage	$V_{OL3}$	$I_{OL3} = +1mA$			0.5	V
High-impedance output leakage current	$I_{LO2}$	$V_I = 0V$ to $DV_{DD}$ $V_{NRES} = 0V$ to $0.5V$			$\pm 50$	$\mu A$
Analog output pins						
VREF pin output pin	$V_{REF}$			$0.45 \times AV_{DD}$		V
BIAS pin output pin	$V_{BIAS}$			$0.5 \times AV_{DD}$		V
IVI-IVO inverter						
Inverter input threshold voltage	$V_{TI}$			$0.5 \times DV_{DD} \pm 0.75$		V

Notes:

\*1: IFSEL, TES0, TES1, CHV, MTI, ECDI, PI1, PI2, IIN, QIN, CWO/IFMOD (C3, C4 only), IVI (C5 only)

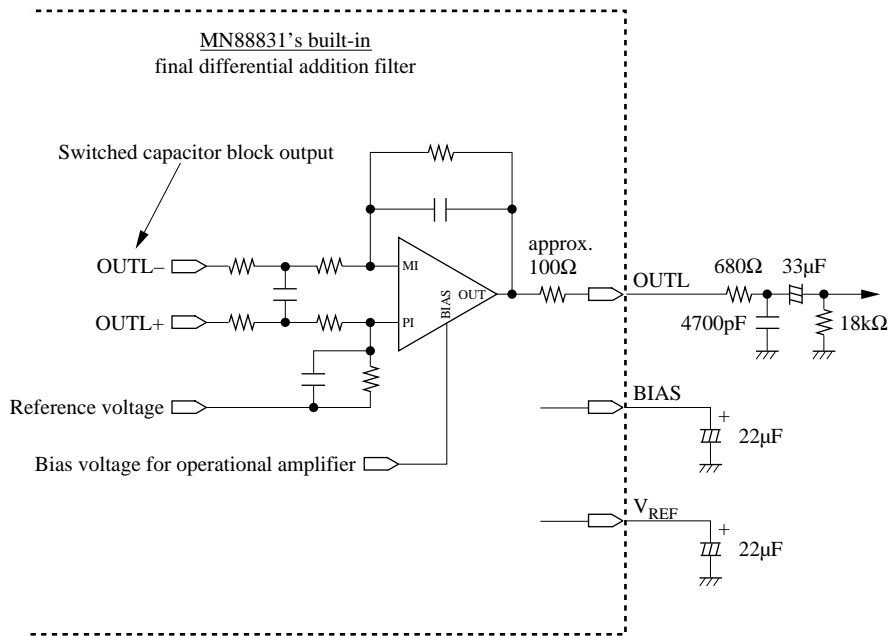
\*2: CS/SA, CCK/SCL, NRES, CTLI/SDA (C6, C7 only)

\*3: NLOCK, BPO, NAMODE, P2M, ECDO, SYNCF, BSTRM, PC

\*4: PO0/MTO, PO1 to PO6, CWO/IFMOD, PC (C12 only)

\*5: CTLI/SDA

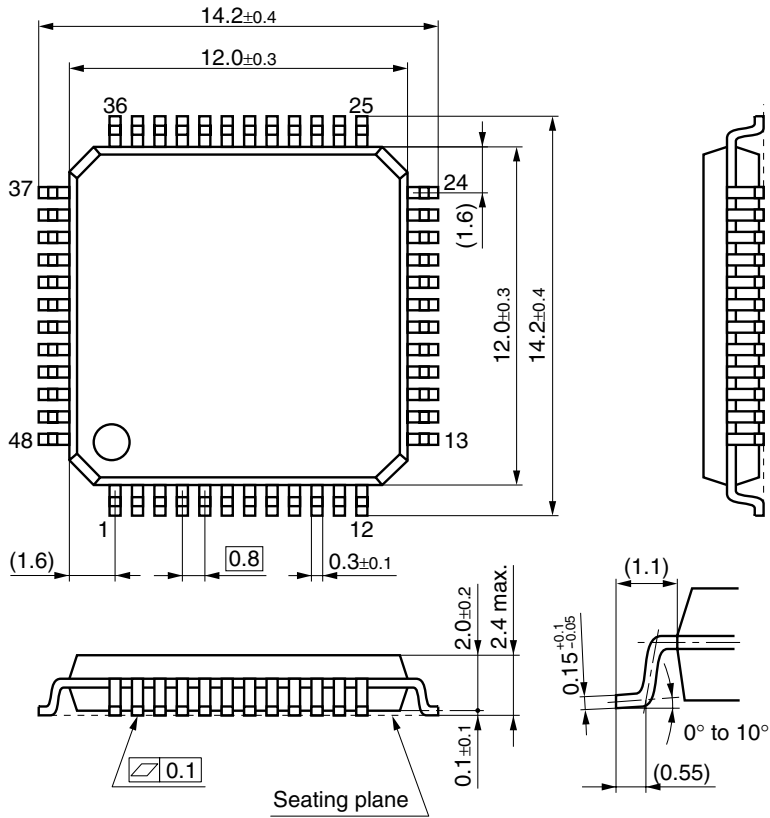
■ Application Circuit Example



Structure of Analog Post Filter and Sample Analog Connections

■ Package Dimensions (Unit: mm)

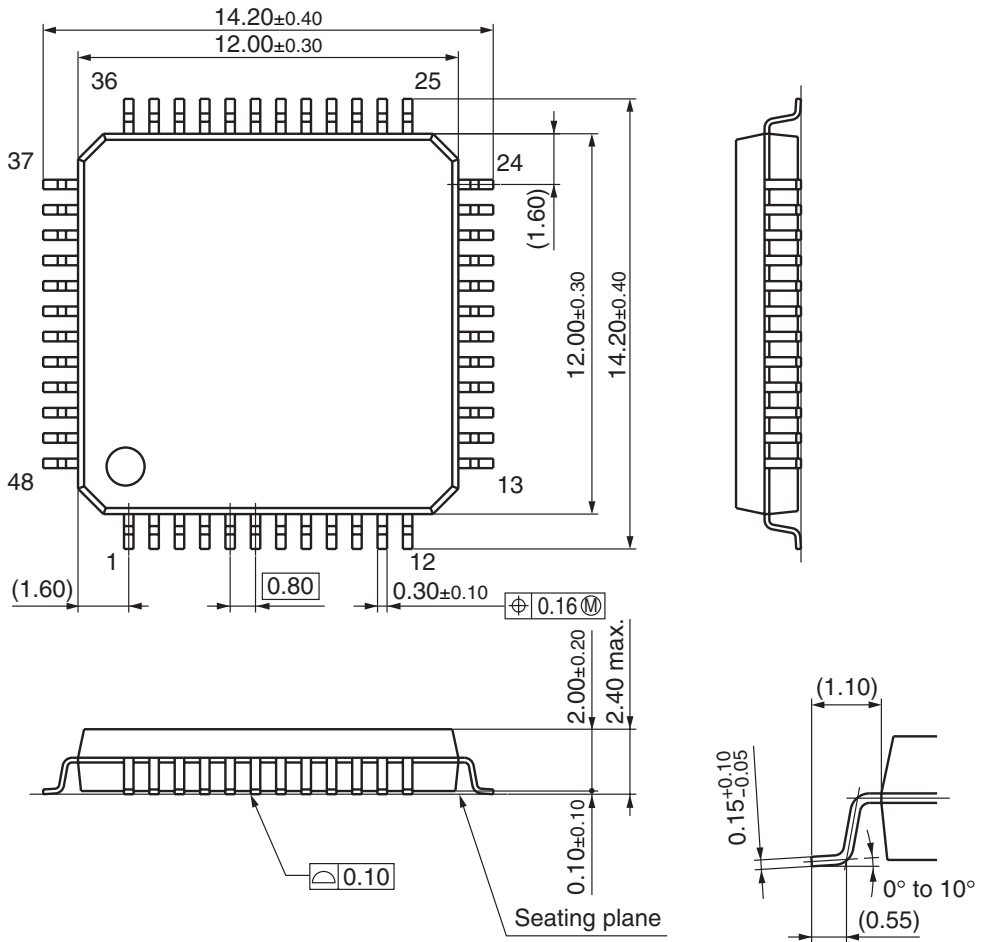
QFP048-P-1212A



Note) The package of this product will be changed to the following lead-free type (QFP048-P-1212D).

■ New Package Dimensions (Unit: mm)

- QFP048-P-1212D (Lead-free package)



## Request for your special attention and precautions in using the technical information and semiconductors described in this material

- (1) An export permit needs to be obtained from the competent authorities of the Japanese Government if any of the products or technologies described in this material and controlled under the "Foreign Exchange and Foreign Trade Law" is to be exported or taken out of Japan.
- (2) The technical information described in this material is limited to showing representative characteristics and applied circuit examples of the products. It does not constitute the warranting of industrial property, the granting of relative rights, or the granting of any license.
- (3) The products described in this material are intended to be used for standard applications or general electronic equipment (such as office equipment, communications equipment, measuring instruments and household appliances).  
Consult our sales staff in advance for information on the following applications:
  - Special applications (such as for airplanes, aerospace, automobiles, traffic control equipment, combustion equipment, life support systems and safety devices) in which exceptional quality and reliability are required, or if the failure or malfunction of the products may directly jeopardize life or harm the human body.
  - Any applications other than the standard applications intended.
- (4) The products and product specifications described in this material are subject to change without notice for reasons of modification and/or improvement. At the final stage of your design, purchasing, or use of the products, therefore, ask for the most up-to-date Product Standards in advance to make sure that the latest specifications satisfy your requirements.
- (5) When designing your equipment, comply with the guaranteed values, in particular those of maximum rating, the range of operating power supply voltage and heat radiation characteristics. Otherwise, we will not be liable for any defect which may arise later in your equipment.  
Even when the products are used within the guaranteed values, redundant design is recommended, so that such equipment may not violate relevant laws or regulations because of the function of our products.
- (6) When using products for which dry packing is required, observe the conditions (including shelf life and after-unpacking standby time) agreed upon when specification sheets are individually exchanged.
- (7) No part of this material may be reprinted or reproduced by any means without written permission from our company.

## Please read the following notes before using the datasheets

- A. These materials are intended as a reference to assist customers with the selection of Panasonic semiconductor products best suited to their applications.  
Due to modification or other reasons, any information contained in this material, such as available product types, technical data, and so on, is subject to change without notice.  
Customers are advised to contact our semiconductor sales office and obtain the latest information before starting precise technical research and/or purchasing activities.
- B. Panasonic is endeavoring to continually improve the quality and reliability of these materials but there is always the possibility that further rectifications will be required in the future. Therefore, Panasonic will not assume any liability for any damages arising from any errors etc. that may appear in this material.
- C. These materials are solely intended for a customer's individual use.  
Therefore, without the prior written approval of Panasonic, any other use such as reproducing, selling, or distributing this material to a third party, via the Internet or in any other way, is prohibited.