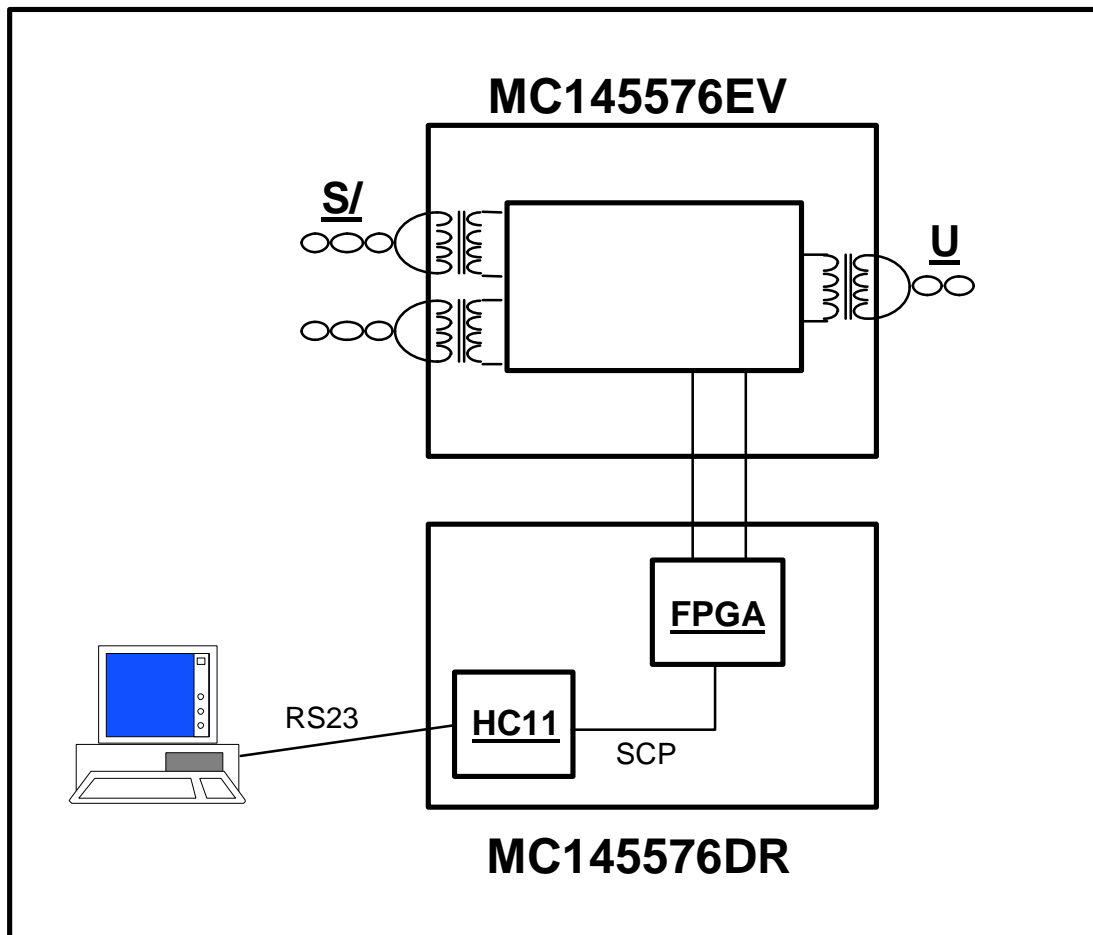


# MC145576EVK

## Advance Information

## ISDN Single chip NT1 Transceiver Evaluation Kit



This document contains information on a product under development. Motorola reserves the right to change or discontinue this product without notice.



MOTOROLA

# MC145576EVK

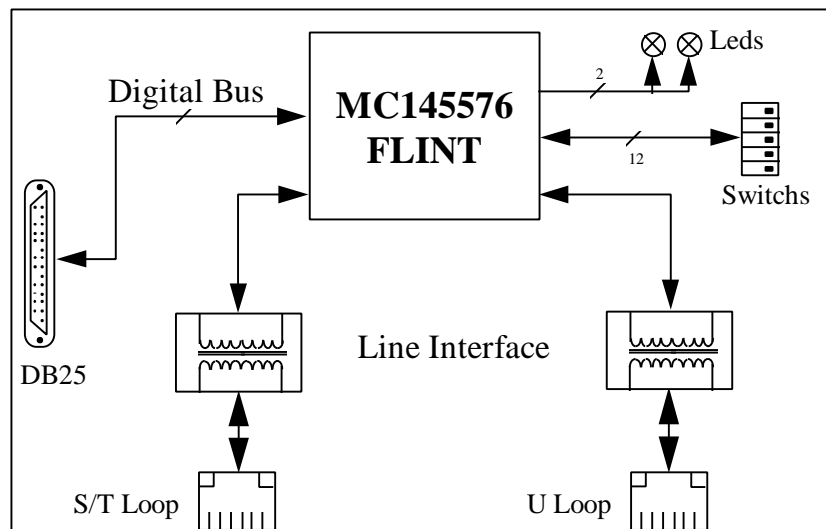
## I. Introduction

The MC145576EVK board has been designed to demonstrate and evaluate the Motorola single chip NT1 solution based on the FLINT (MC145576).

The MC145576 is configured by default to work in a standard NT1 mode (see section III), this configuration can be changed to provide a terminal access to the MC145576 which is required for the SMART NT1 applications (see section IV). This terminal access can be IDL/SCP or GCI.

The MC145576EVK board is powered by an external 5V power supply, there is no power feeding circuitry which recovers the power from the U line. Another connector can be used to provide +40V power supply down to the TE through the S/T line (+40V and +5V power supplies have separated grounds).

## II. MC145576EVK Block Diagram



## III. MC145576 in NT1 mode

In the NT1 mode, as there is no terminal access required and where the minimum possible power consumption is desired, the MC145576 will provide a U and S/T analog interfaces and some configuration and indication pins.

### Switchs configuration:

CLK_SEL	no function
ENO_L	OFF (logic high)
LED2	ON
LED1	ON
CLASS/ECHOIN	no function
FIX	OFF Fix mode, ON Adaptative mode

IDL/GCI	ON (GCI mode)
DRQ_AR	OFF see note
PS1	OFF PS1=1, ON PS1=0
PS2	OFF PS2=1, ON PS2=0
Pulse 1	OFF /Pulse1=1, ON /Pulse1=0
Pulse 2	OFF /Pulse2=1, ON /Pulse2=0

Note: If Activation Request DRQ\_AR need to be used, ENO\_L should be switch ON.

#### **IV. FLINT in Smart NT1 mode**

In the Smart NT1 mode, the terminal access is required. This terminal access, plus some control and indication signals, are available on a DB25 connector (P1).

##### Switchs configuration:

CLK_SEL	OFF 2.048 MHz , ON 512 KHz
ENO_L	ON (logic low)
LED2	depending on the mode selected
LED1	depending on the mode selected
CLASS/ECHOIN	depending on the mode selected
FIX	OFF Fix mode, ON Adaptative mode
IDL/GCI	OFF IDL/SCP mode, ON GCI mode
DRQ_AR	depending on the mode selected
PS1	depending on the mode selected
PS2	depending on the mode selected
Pulse 1	depending on the mode selected
Pulse 2	depending on the mode selected

Note: OFF applies a logic high, ON applies a logic low.

Motorola has designed a board (based on the HC11 and a FPGA) and software (on PC) which can be directly connected to the MC145576EVK board. This board (MC145576DRV) which works only in IDL/SCP mode, provides quick access to the internal registers and gated clocks.

#### **V. Getting Started**

##### Jumpers configuration:

- JP8: jumper to short circuit the C13 capacitor.
- JP9: jumper to terminate the S/T loop transmit path with an 100 Ohms resistor.
- JP10: jumper to terminate the S/T loop receive path with an 100 Ohms resistor.

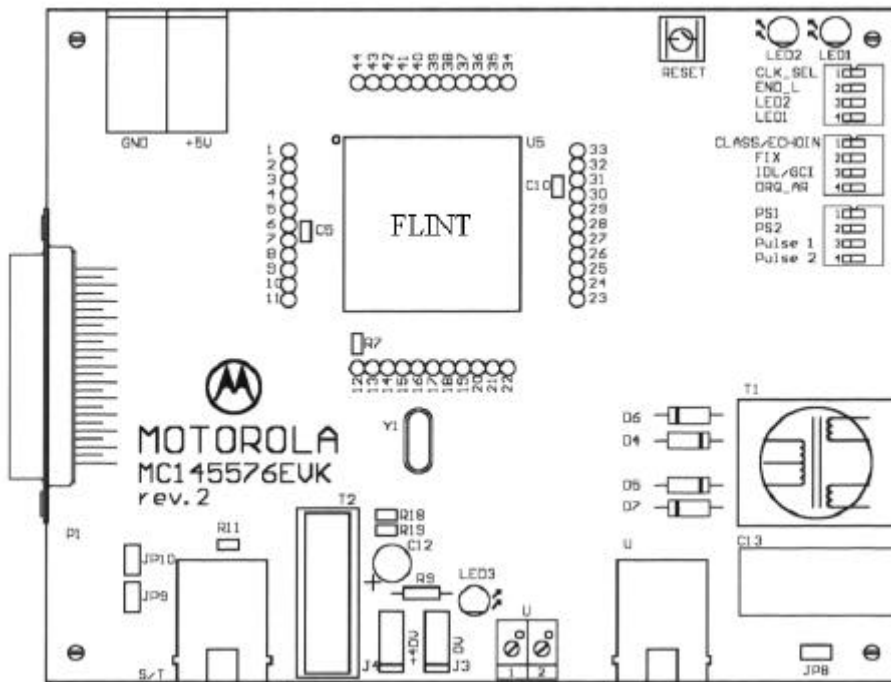
##### Getting Started

Configure the MC145576 according the mode choosen, then switch on the +5V power supply and reset the MC145576. The board is ready.

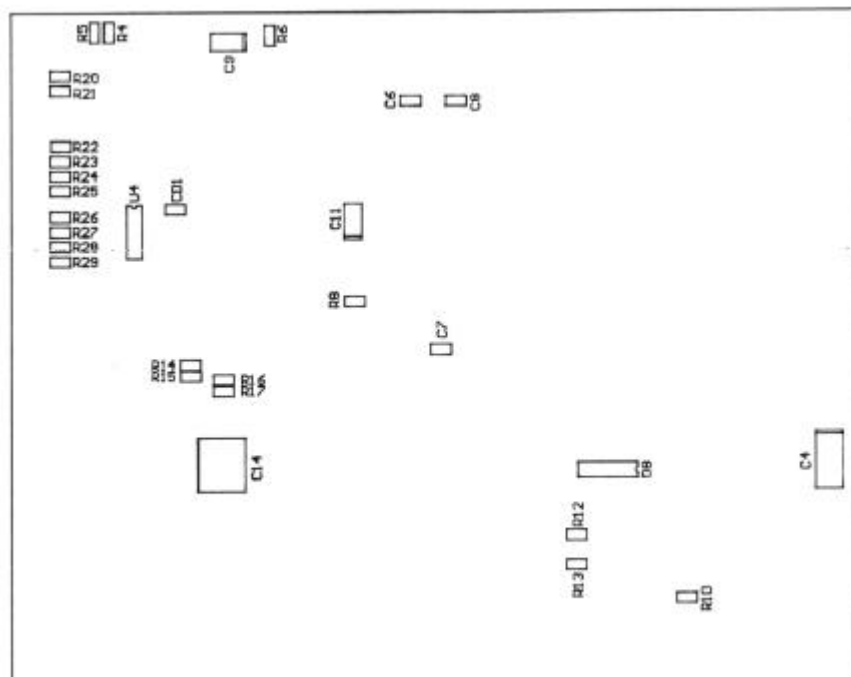
#### **VI. Reference Manuals**

- \* MC145576 FLINT User's Manual (MC145576/D).
- \* MC145574 S/T Interface User's Manual (MC145574/D).
- \* MC145572 U Interface User's Manual (MC145572/D).
- \* CCITT I.430 Specification.
- \* ETSI ETR 300 012 Specification.
- \* ETSI ETR 080 Specification.
- \* GCI Interface document written by Alcatel, Italtel, GPT and Siemens.

## **VII. MC145576EVK Layout**




Top Layer



Bottom Layer

Digital DNA is a trademark of Motorola, Inc.

Motorola reserves the right to make changes without further notice to any products herein. Motorola makes no warranty, representation or guarantee regarding the suitability of its products for any particular purpose, nor does Motorola assume any liability arising out of the application or use of any product or circuit, and specifically disclaims any and all liability, including without limitation consequential or incidental damages. "Typical" parameters can and do vary in different applications and actual performance may vary over time. All operating parameters, including "Typicals", must be validated for each customer application by customer's technical experts. Motorola does not convey any license under its patent rights nor the rights of others. Motorola products are not designed, intended, or authorized for use as components in systems intended for surgical implant into the body, or other applications intended to support or sustain life, or for any other application in which the failure of the Motorola product could create a situation where personal injury or death may occur. Should Buyer purchase or use Motorola products for any such unintended or unauthorized application, Buyer shall indemnify and hold Motorola and its officers, employees, subsidiaries, affiliates, and distributors harmless against all claims, costs, damages, and expenses, and reasonable attorney fees arising out of, directly or indirectly, any claim of personal injury or death associated with such unintended or unauthorized use, even if such claim alleges that Motorola was negligent regarding the design or manufacture of the part. Motorola and  are registered trademarks of Motorola, Inc. Motorola, Inc. is an Equal Opportunity/Affirmative Action Employer.

**HOW TO REACH US:**

**USA/EUROPE/LOCATIONS NOT LISTED:** Motorola Literature Distribution: P.O. Box 5405, Denver, Colorado 80217.  
1-303-675-2140 or 1-800-441-2447

**JAPAN:** Motorola Japan Ltd.; SPS, Technical Information Center, 3-20-1 Minami-Azabu. Minato-ku, Tokyo 106-8573 Japan.  
81-3-3440-3569

**ASIA/PACIFIC:** Motorola Semiconductors H.K. Ltd.; Silicon Harbour Centre, 2 Dai King Street, Tai Po Industrial Estate, Tao Po, N.T.,  
Hong Kong. 852-26668334

**TECHNICAL INFORMATION CENTER: 1-800-521-6274**

**HOME PAGE:** <http://motorola.com/semiconductors/>



**MOTOROLA**

MC145576EVK/D