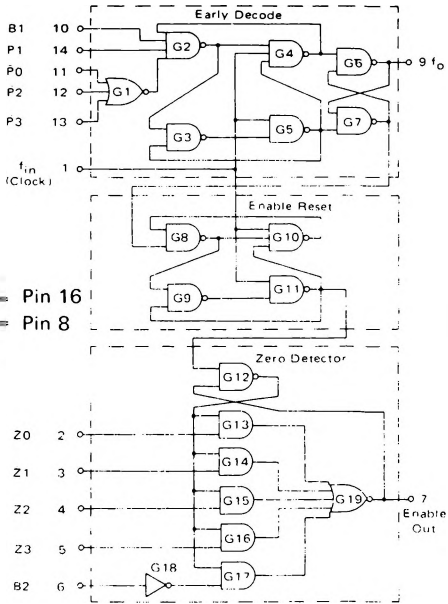


VCC = Pin 16  
 Gnd = Pin 8



## Counter Control Logic

The MC12014 monolithic counter control logic unit is designed for use with the MC12012 Two-Modulus Prescaler and the MC4016 Programmable Counter to accomplish direct high-frequency programming. The MC12014 consists of a zero detector which controls the modulus of the MC12012, and an early decode function which controls the MC4016. The early decode feature also increases the useful frequency range of the MC4016 from 8.0 MHz to 25 MHz.

$P_D = 175 \text{ mW/typ}$

MC12014

PHASE-LOCKED LOOP