



# Single +5V, Fully Integrated, 155Mbps Laser Diode Driver

MAX3263

## General Description

The MAX3263 is a complete, easy-to-program, single +5V-powered, 155Mbps laser diode driver with complementary enable inputs and Automatic Power Control (APC). It accepts differential PECL inputs and provides complementary output currents. A temperature-stabilized reference voltage is provided to simplify laser current programming. This allows modulation current to be programmed from 5mA to 25mA and bias current to be programmed from 5mA to 60mA with two external resistors.

An APC circuit is provided to maintain constant laser power in transmitters that use a monitor photodiode. Only one external resistor is required to implement the APC function.

The MAX3263's fully integrated feature set includes a TTL-compatible laser failure indicator and a programmable slow-start circuit to prevent laser damage. The slow-start is preset to 50ns and can be extended by adding an external capacitor.

## Features

- ◆ Rise Times Less than 1ns
- ◆ Differential PECL Inputs
- ◆ Single +5V Supply
- ◆ Automatic Power Control
- ◆ Temperature-Compensated Reference Voltage
- ◆ Complementary Enable Inputs

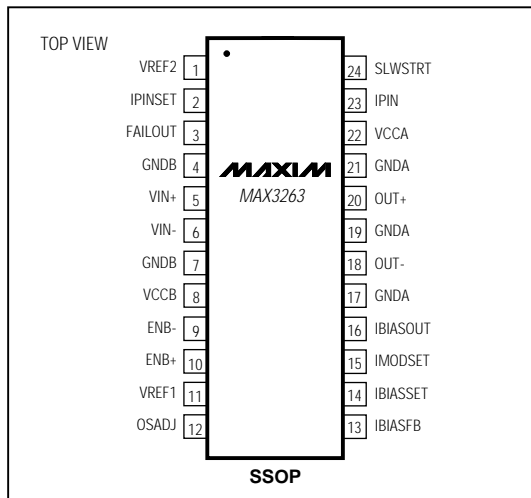
## Ordering Information

PART	TEMP. RANGE	PIN-PACKAGE
MAX3263CAG	0°C to +70°C	24 SSOP

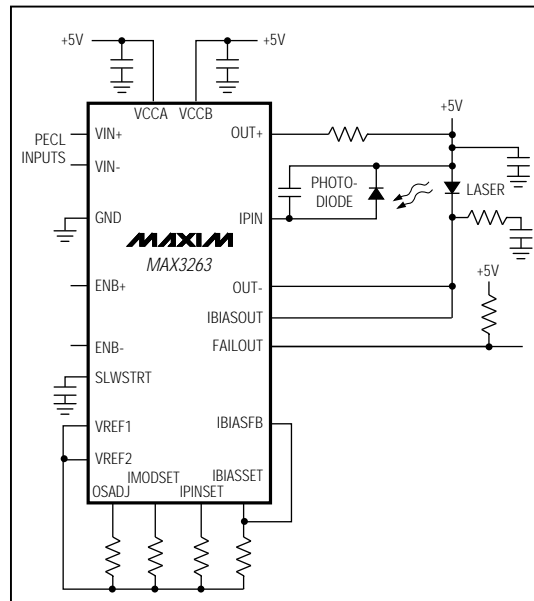
## Applications

- Laser Diode Transmitters
- 155Mbps SDH/SONET
- 155Mbps ATM

## Pin Configuration



## Typical Operating Circuit



# Single +5V, Fully Integrated, 155Mbps Laser Diode Driver

## ABSOLUTE MAXIMUM RATINGS

( $V_{CC} = 5.0V$ ,  $T_A = +25^\circ C$ , unless otherwise noted.)

### Supply Voltages

$V_{CCA}$ , $V_{CCB}$ to GND	-0.3V, +6V
IPIN, IPINSET, IMODSET, IBIASET, OSADJ, IBIASFB	5mA
OUT+, OUT-, VREF1, VREF2	+6V
ENB+, ENB-	0V, $V_{CC} - 0.3V$
FAILOUT	0V, $V_{CC}$

SLWSTRT	+6V
IBIASOUT	90mA
Input Voltage Levels, VIN-, VIN+	0V, +6V
Continuous Power Dissipation ( $T_A = +70^\circ C$ )	
SSOP	640mW
Lead Temperature (soldering, 10sec)	+300°C

Stresses beyond those listed under "Absolute Maximum Ratings" may cause permanent damage to the device. These are stress ratings only, and functional operation of the device at these or any other conditions beyond those indicated in the operational sections of the specifications is not implied. Exposure to absolute maximum rating conditions for extended periods may affect device reliability.

## DC ELECTRICAL CHARACTERISTICS

( $V_{CC} = 5.0V \pm 5\%$ ,  $T_A = 0^\circ C$  to  $+70^\circ C$ , unless otherwise noted.)

PARAMETER	SYMBOL	CONDITIONS	MIN	TYP	MAX	UNITS
Range of Programmable Laser Bias Current	IBIAS				60	mA
Reference Voltage	VREF	$T_A = +25^\circ C$	3.15	3.3	3.45	V
Available Reference Current	IREF			15		mA
Supply Current ( $I_{VCCA} + I_{VCCB}$ )	I <sub>VCC</sub>	Failout loaded with 1kΩ to $V_{CC}$			65	mA
PECL Input High		Minimum signal is 550mV, $T_A = +25^\circ C$	$V_{CC} - 1.165$			V
PECL Input Low		Minimum signal is 550mV, $T_A = +25^\circ C$		$V_{CC} - 1.475$		V
TTL Low (Inputs/Outputs)				0.8		V
TTL High (Inputs/Outputs)			2.0			V

## AC ELECTRICAL CHARACTERISTICS

( $V_{CC} = 5.0V$ ,  $R_{LOAD} = 25\Omega$  to +5V, AC parameters are not tested,  $T_A = +25^\circ C$ , unless otherwise noted.)

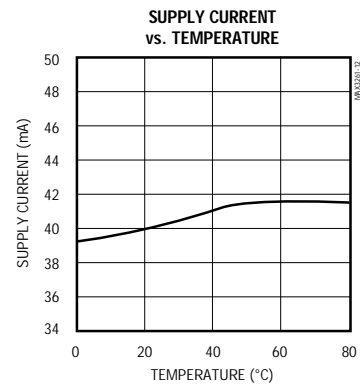
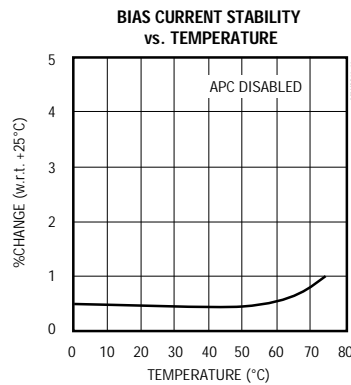
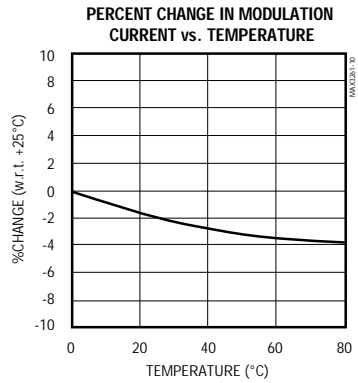
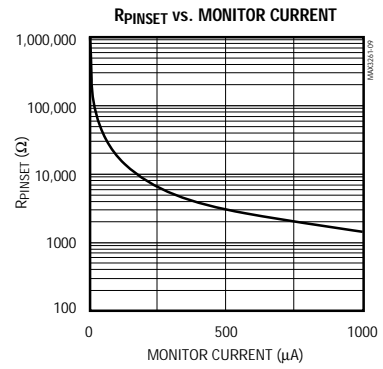
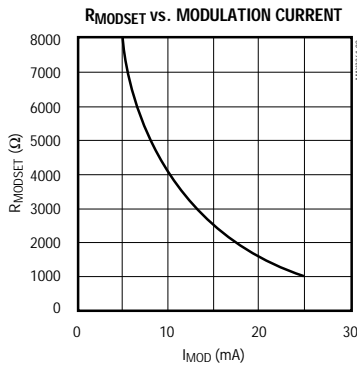
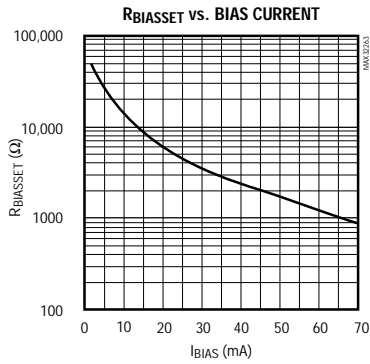
PARAMETER	SYMBOL	CONDITIONS	MIN	TYP	MAX	UNITS
Range of Programmable Modulation Current	I <sub>MOD</sub>	Minimum input signal is 550mV			25	mA
Modulation-Current Rise and Fall Time	$t_r$ , $t_f$	IBIAS = 25mA, I <sub>MOD</sub> = 12mA, 8ns period, 10% to 90%			1	ns
Aberrations, Rising and Falling Edge	OS	I <sub>MOD</sub> = 12mA		±15		%
Modulation-Current Pulse-Width Distortion	PWD	IBIAS = 25mA, I <sub>MOD</sub> = 12mA, 8ns period			100	ps

# Single +5V, Fully Integrated, 155Mbps Laser Diode Driver

## Typical Operating Characteristics

(TA = +25°C, unless otherwise noted.)

MAX3263



# Single +5V, Fully Integrated, 155Mbps Laser Diode Driver

## Pin Description

PIN	NAME	FUNCTION
1, 11	VREF2, VREF1	Temperature-Compensated References
2	IPINSET	Current Input for APC, proportional to monitor diode current.
3	FAILOUT	Open-Collector TTL Output. Asserts low when monitor diode current is less than IPINSET.
4, 7	GNDB	Ground for VREF and APC
5	VIN+	Positive PECL Input
6	VIN-	Negative PECL Input
8	VCCB	Positive supply for VREF and APC
9, 10	ENB-, ENB+	TTL Inputs to Enable Output Currents
12	OSADJ	Sets current for laser driver input stage.
13	IBIASFB	Output from APC Circuit, used to set laser bias current.
14	IBIASSET	Sets laser bias current.
15	IMODSET	Sets laser modulation current.
16	IBIASOUT	Sets laser bias output current.
17, 19, 21	GNDA	Negative Supplies for Output and Bias Driver
18	OUT-	Primary Laser Modulation Output
20	OUT+	Secondary Laser Modulation Output
22	VCCA	Positive Supply for Output and Bias Driver
23	IPIN	Connects to monitor photodiode
24	SLWSTRT	Capacitor Port for Slow Start-Up

### Detailed Description

The MAX3263 laser driver has three main sections: a reference generator with temperature compensation, a laser bias block with automatic power control, and a modulation driver.

The reference generator provides temperature-compensated biasing and a voltage-reference output. The voltage reference is used to program the current levels of the modulation driver, laser diode, and PIN (p+, intrinsic, n-) monitor diode.

The laser bias block sets the bias current in the laser diode and maintains it above the threshold point. A current-controlled current source (current mirror) programs the bias, with IBIASSET as the input. The mirror's gain is approximately 40 over the MAX3263's input range. Keep the output voltage of the bias stage above 2.6V to prevent saturation.

The modulation driver consists of an input buffer and a common-emitter differential output stage. The modulation current mirror sets the laser modulation current in the output stage. This current is switched between the OUT+ and OUT- ports of the laser driver. The modulation current mirror has a gain of approximately 20.

The overshoot mirror sets the bias in the input buffer stage. Reducing this current slows the input stage and reduces overshoot in the modulation signal. At the

same time, the peak-to-peak output swing of the input buffer stage is reduced. Careful design must be used to ensure that the buffer stage can switch the output stage completely into the nonlinear region (Figure 3). For the output stage, the width of the linear region is a function of the desired modulation current. Increasing the modulation current increases the linear region. Therefore, increases in the modulation current require larger output levels from the first stage. Table 1 shows the maximum allowable ROSADJ (to ensure complete switching) versus the laser modulation-current level.

Failure to ensure that the output stage switches completely results in a loss of modulation current (and extinction ratio). In addition, if the modulation port does not switch completely off, the modulation current will contribute to the bias current, and may complicate module assembly.

**Table 1. Optimum ROSADJ**

I <sub>MOD</sub> (mA)	Max ROSADJ (kΩ)
10	7.50
15	6.00
20	5.25
25	4.25
30	3.70

## Single +5V, Fully Integrated, 155Mbps Laser Diode Driver

MAX3263

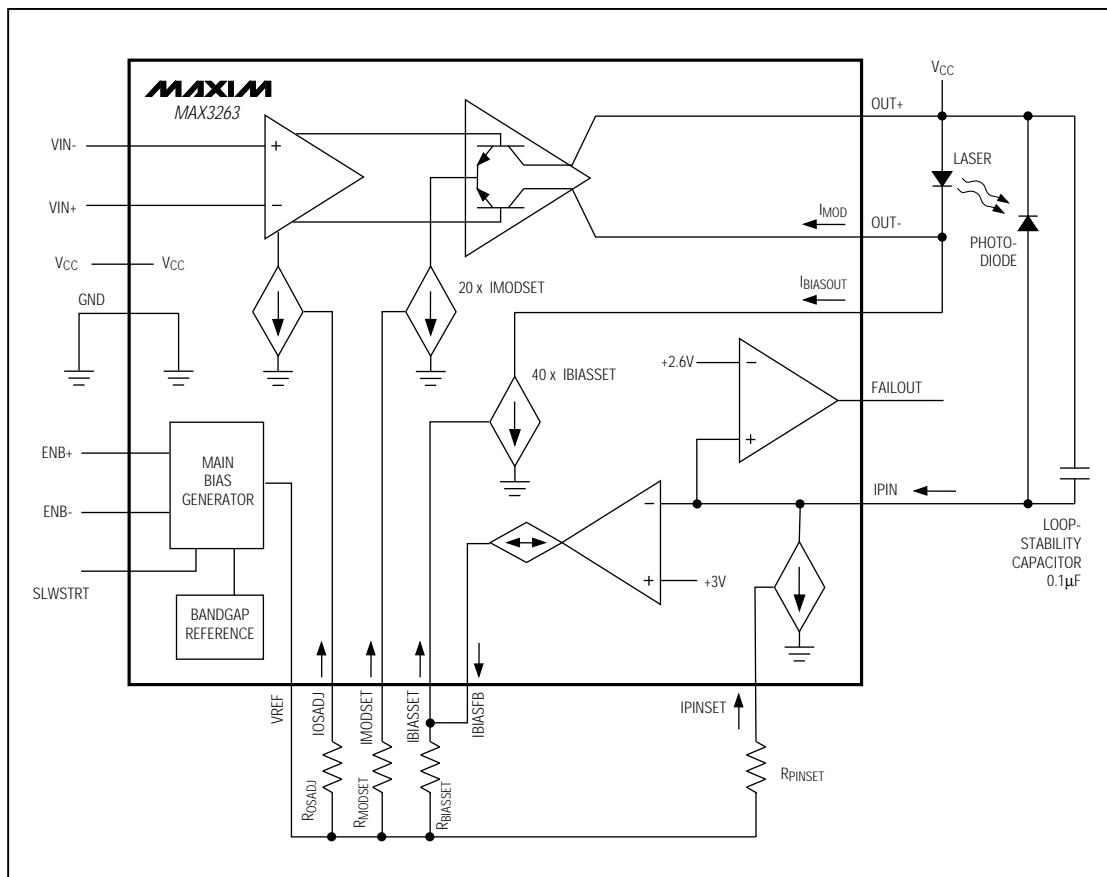


Figure 1. Block Diagram

### Automatic Power Control

The automatic power control (APC) feature allows an optical transmitter to maintain constant power, despite changes in laser efficiency with temperature or age. The APC requires the use of a monitor photodiode.

The APC circuit incorporates the laser diode, the monitor photodiode, the IPINSET current mirror, a transconductance amplifier, the bias set current mirror, and the laser fail comparator (Figure 1). Light produced by the laser diode generates an average current in the monitor photodiode. This current flows into the MAX3263's IPIN input. The IPINSET current mirror draws current away from the IPIN node. When the current into the IPIN node equals the current drawn away by IPINSET, the node

voltage is set by the 3V reference of the transconductance amplifier. When the monitor current exceeds IPINSET, the IPIN node voltage will be forced higher. If the monitor current decreases, the IPIN node voltage is decreased. In either case, the voltage change is amplified by the transconductance amplifier, and results in a feedback current at the IBIASFB node. Under normal APC operation, IBIASFB is summed with IBIASSET, and the laser bias level is adjusted to maintain constant output power. This feedback process continues until the monitor-diode current equals IPINSET.

If the monitor-diode current is sufficiently less than IPINSET (i.e., the laser stops functioning), the voltage on the IPIN node drops below 2.6V. This triggers the failout

# Single +5V, Fully Integrated, 155Mbps Laser Diode Driver

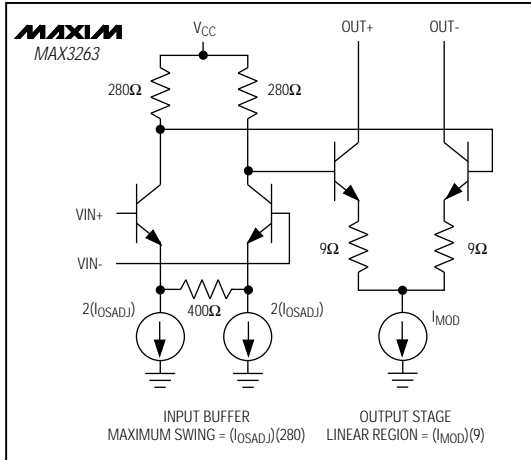


Figure 2. MAX3263 Modulation Driver (Simplified)

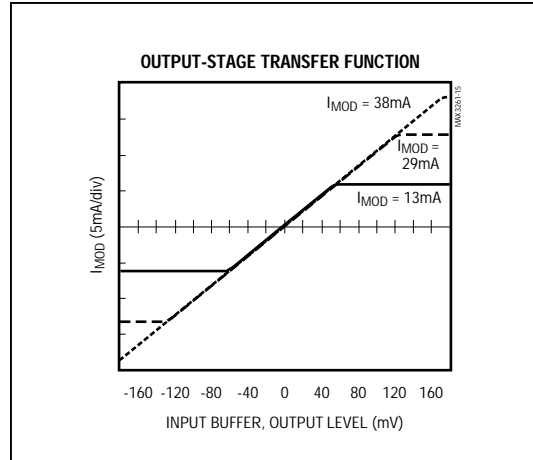


Figure 3. Output-Stage Transfer Function

comparator, which provides a TTL signal indicating laser failure. The FAILOUT output asserts only if the monitor-diode current is low, not in the reverse situation where the monitor current exceeds IPINSET.

The transconductance amplifier can output currents up to approximately  $\pm 1\text{mA}$  through the IBIASFB pin. Since the laser bias generator has a gain of approximately 40, the APC function has a limit of approximately 40mA (up or down) from the initial set point. To take full advantage of this adjustment range, it may be prudent to program the laser bias current slightly higher than required for normal operation.

To maintain APC loop stability, a  $0.1\mu\text{F}$  bypass capacitor may be required across the photodiode. If the APC function is not used, disconnect the IBIASFB pin.

The time constant of the APC is set by the loop-stability capacitor. The IPIN input impedance is  $80\Omega$ .

### Enable Inputs

The MAX3263 provides complementary enable inputs (ENB+, ENB-). Laser control is achieved by reducing the reference voltage outputs (VREF1, VREF2). Only one logic state enables laser operation (Table 2).

Table 2. MAX3263 Truth Table

ENB-	ENB+	VREF
0	0	Off
0	1	On
1	0	Off
1	1	Off

**Temperature Considerations**  
 The MAX3263 output currents are programmed by current mirrors. These mirrors each have a  $2V_{BE}$  temperature coefficient. The reference voltage (VREF) is adjusted  $2V_{BE}$  so these changes largely cancel, resulting in output currents that are very stable with respect to temperature (see *Typical Operating Characteristics*).

### Design Procedure

#### Interfacing Suggestions

Use high-frequency design techniques for the board layout of the MAX3263 laser driver. Minimize any series inductance to the laser, and place a bypass capacitor as close to the laser's anode as possible.

Power connections labeled VCCA are used to supply the laser modulation and laser bias circuits. VCCB connections supply the bias-generator and automatic-power control circuits. For optimum operation, isolate these supplies from each other by independent bypass filtering.

The MAX3263 inputs interface to PECL ( $V_{CC}$ -referenced ECL) signal levels. If the incoming data stream has a 50% duty cycle (NRZ), the inputs can be AC coupled and connected to other differential logic levels. If logic levels other than PECL are used, it is important to bias the modulation inputs (VIN+, VIN-) with a circuit that provides a PECL common-mode voltage (Figure 4).

# Single +5V, Fully Integrated, 155Mbps Laser Diode Driver

MAX3263

## Bias Network Compensation

For best laser transmitter performance, add a filter to the circuit. Most laser packages (TO-46 or DIL) have a significant amount of package inductance (4nH to 20nH), which limits their usable data rate. The MAX3263 OUT pin has about 1pF of capacitance. These two parasitic components can cause high-frequency ringing and aberrations on the output signal.

If ringing is present on the transmitter output, try adding a shunt RC filter to the laser node. This limits the bandwidth of the transmitter to usable levels, and reduces ringing dramatically.

L = Laser inductance

C = Shunt filter capacitance

R = Shunt filter resistance

A good starting point is  $R = 25\Omega$  and  $C = L / 4R$ . Increase C until aberrations are reduced.

The IBIASOUT pin has about 4pF of parasitic capacitance. When operating at bias levels over 50mA, the impedance of the bias output may be low enough to decrease the rise time of the transmitter. If this occurs, the impedance of the IBIASOUT pin can be increased by adding a large inductor in series with the pin. A 47μH inductor with a self-resonant frequency of 1MHz should work well in any application.

## Reducing Power Consumption

The laser driver typically consumes 40mA of current for internal functions. Typical load currents, such as 12mA of modulation current and 20mA of bias current, bring the total current requirement to 72mA. If this were dissipated entirely in the laser driver, it would generate 360mW of heat. Fortunately, a substantial portion of this power is dissipated across the laser diode. A typical laser diode drops approximately 1.6V when forward biased. This leaves 3.4V at the MAX3263's OUT- terminal. It is safe to reduce the output terminal voltage even further with a series damping resistor. Terminal voltage levels down to 2.2V can be used without degrading the laser driver's high-frequency performance. Power dissipation can be further reduced by adding a series resistor on the laser driver's OUT+ side. Select the series resistor so the OUT+ terminal voltage does not drop below 2.2V with the maximum modulation current.

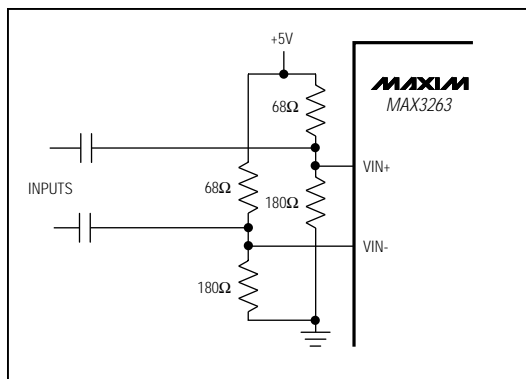


Figure 4. Driving the MAX3263 with Non-PECL Levels

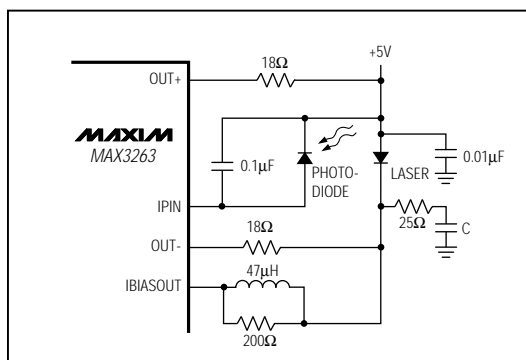


Figure 5. Typical Laser Interface with Bias Compensation

## Applications Information

### Programming the MAX3263 Laser Driver

Programming the MAX3263 is best explained by an example. Assume the following laser diode characteristics:

Wavelength	$\lambda$	1300nm
Threshold Current	$I_{TH}$	20mA at +25°C (+0.35mA/°C temperature variation)
Monitor Responsivity	$\rho_{mon}$	0.1A/W (monitor current / average optical power into the fiber)

## Single +5V, Fully Integrated, 155Mbps Laser Diode Driver

Modulation Efficiency  $\eta$  0.1mW/mA (worst case)

Now assume the communications system has the following requirements:

Average Power	$P_{AVE}$	0dBm (1mW)
Extinction Ratio	$E_r$	6dB ( $E_r = 4$ )
Temperature Range	$T_r$	0°C to +70°C

1) Determine the value of  $I_{PINSET}$ :

The desired monitor-diode current is  $(P_{AVE})(\rho_{mon}) = (1mW)(0.1A/W) = 100\mu A$ . The *Typical Operating Characteristics* show that  $R_{PINSET}$  should be 18k $\Omega$ .

2) Determine  $R_{MODSET}$ :

The average power is defined as  $(P_1 + P_0) / 2$ , where  $P_1$  is the average amplitude of a transmitted "one" and  $P_0$  is the average amplitude of a transmitted "zero." The extinction ratio is  $P_1/P_0$ . Combining these equations results in  $P_1 = (2 \times P_{AVE} \times E_r) / (E_r + 1)$  and  $P_0 = (2 \times P_{AVE}) / (E_r + 1)$ . In this example,  $P_1 = 1.6mW$  and  $P_0 = 0.4mW$ . The optical modulation is 1.2mW. The modulation current required to produce this output is  $1.2mW / \eta = (1.2mW) / (0.1mA/mW) = 12mA$ . The *Typical Operating Characteristics* show that  $R_{MODSET} = 3k\Omega$  yields the desired modulation current.

3) Determine the value of  $R_{OSADJ}$ :

Using Table 1, a 6.8k $\Omega$  resistor is chosen for 12mA of modulation current. The values given in Table 1 minimize aberrations in the waveform and ensure that the driver stage operates fully limited.

4) Determine the value of  $R_{BIASSET}$ :

The automatic power control circuit can adjust the bias current 40mA from the initial setpoint. This feature makes the laser driver circuit reasonably insensitive to variations of laser threshold from lot to lot. The bias setting can be determined using one of two methods:

- Set the bias at the laser threshold.
- Set the bias at the midpoint of the highest and lowest expected threshold values.

Method A is straightforward. In the second method, it is assumed that the laser threshold will increase with age.

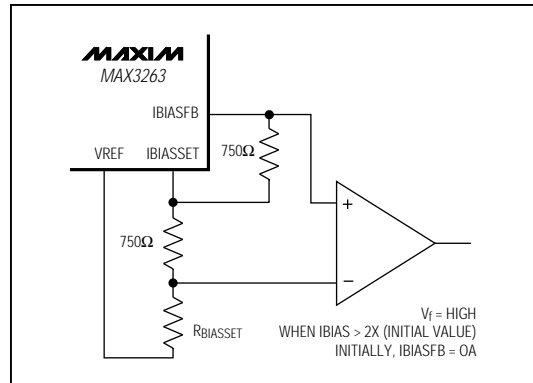


Figure 6. End-of-Life Indicator

The lowest threshold current occurs at 0°C, when the laser is new. The highest threshold current occurs at +70°C, at the end of the product's life. Assume the laser is near the end of life when its threshold reaches two-times its original value.

Lowest Bias Current:

$$I_{TH} + \Delta I_{TH} = 20mA + (0.35mA/^{\circ}C)(-25^{\circ}C) = 11.25mA$$

Highest Bias Current:

$$2 \times I_{TH} + \Delta I_{TH} = 40mA + (0.35mA/^{\circ}C)(+45^{\circ}C) = 55.8mA$$

In this case, set the initial bias value to 34mA (which is the midpoint of the two extremes). The 40mA adjustment range of the MAX3263 maintains the average laser power at either extreme.

The *Typical Operating Characteristics* show that  $R_{BIASSET} = 1.8k\Omega$  delivers the required bias current.

### End-of-Life Indicator

Some applications require a fallout flag (end-of-life indicator) to be set when the laser bias current reaches two-times its original setting. A simple comparator circuit monitoring IBIASFB and IBIASSET can be implemented to provide this type of fallout signal (Figure 6).

Maxim cannot assume responsibility for use of any circuitry other than circuitry entirely embodied in a Maxim product. No circuit patent licenses are implied. Maxim reserves the right to change the circuitry and specifications without notice at any time.

8 \_\_\_\_\_ Maxim Integrated Products, 120 San Gabriel Drive, Sunnyvale, CA 94086 (408) 737-7600