

**HEX INVERTER**

- **HIGH SPEED**  
 $t_{PD} = 8 \text{ ns (TYP.)}$  at  $V_{CC} = 5\text{V}$
- **LOW POWER DISSIPATION**  
 $I_{CC} = 1 \mu\text{A (MAX.)}$  at  $T_A = 25^\circ\text{C}$
- **HIGH NOISE IMMUNITY**  
 $V_{NIH} = V_{NIL} = 28\% V_{CC}$  (MIN.)
- **OUTPUT DRIVE CAPABILITY**  
10 LSTTL LOADS
- **SYMMETRICAL OUTPUT IMPEDANCE**  
 $|I_{OH}| = I_{OL} = 4 \text{ mA (MIN.)}$
- **BALANCED PROPAGATION DELAYS**  
 $t_{PLH} = t_{PHL}$
- **WIDE OPERATING VOLTAGE RANGE**  
 $V_{CC} \text{ (OPR)} = 2\text{V to } 6\text{V}$
- **PIN AND FUNCTION COMPATIBLE**  
WITH 54/74LS04

**B1** Plastic Package      **F1** Ceramic Frit Seal Package

**M1** Micro Package      **C1** Plastic Chip Carrier

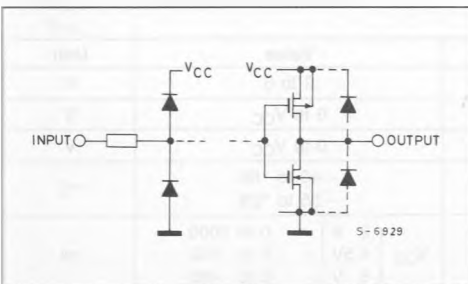
**ORDERING NUMBERS:**  
M54HC04 F1      M74HC04 C1  
M74HC04 B1N      M74HC04 M1  
M74HC04 F1

**DESCRIPTION**

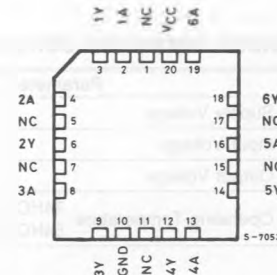
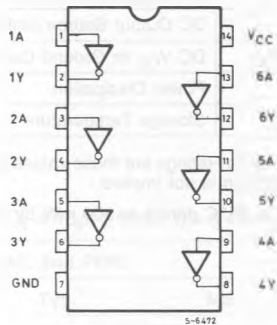
The M54/74HC04 is a high speed CMOS HEX INVERTER fabricated in silicon gate C<sup>2</sup>MOS technology. It has the same high speed performance of LSTTL combined with true CMOS low power consumption.

The internal circuit is composed of 3 stages including buffer output, which enables high noise immunity and stable output. All inputs are equipped with circuits against static discharge and transient excess voltage.

**INPUT AND OUTPUT EQUIVALENT CIRCUIT**

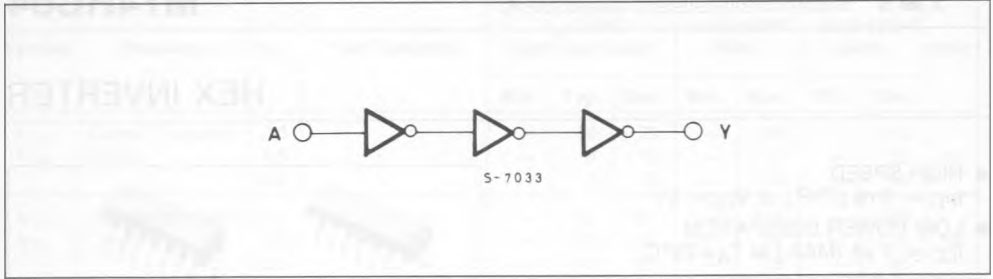


**PIN CONNECTIONS (top view)**



NC =  
No Internal  
Connection

## LOGIC DIAGRAM (Per Gate)



## ABSOLUTE MAXIMUM RATINGS

Symbol	Parameter	Value	Unit
$V_{CC}$	Supply Voltage	- 0.5 to 7	V
$V_I$	DC Input Voltage	- 0.5 to $V_{CC} + 0.5$	V
$V_O$	DC Output Voltage	- 0.5 to $V_{CC} + 0.5$	V
$I_{IK}$	DC Input Diode Current	$\pm 20$	mA
$I_{OK}$	DC Output Diode Current	$\pm 20$	mA
$I_O$	DC Output Source Sink Current Per Output Pin	$\pm 25$	mA
$I_{CC}$ or $I_{GND}$	DC $V_{CC}$ or Ground Current	$\pm 50$	mA
$P_D$	Power Dissipation	500 (*)	mW
$T_{stg}$	Storage Temperature	- 65 to 150	$^{\circ}C$

Absolute Maximum Ratings are those values beyond which damage to the device may occur. Functional operation under these condition is not implied.

(\*) 500 mW:  $\equiv$  65 $^{\circ}C$  derate to 300 mW by 10 mW/ $^{\circ}C$ : 65 $^{\circ}C$  to 85 $^{\circ}C$ .

## RECOMMENDED OPERATING CONDITIONS

Symbol	Parameter	Value	Unit
$V_{CC}$	Supply Voltage	2 to 6	V
$V_I$	Input Voltage	0 to $V_{CC}$	V
$V_O$	Output Voltage	0 to $V_{CC}$	V
$T_A$	Operating Temperature	74HC Series 54HC Series	$^{\circ}C$
		- 40 to 85 - 55 to 125	
$t_r, t_f$	Input Rise and Fall Time	$V_{CC}$ $\begin{cases} 2 \text{ V} & 0 \text{ to } 1000 \\ 4.5 \text{ V} & 0 \text{ to } 500 \\ 6 \text{ V} & 0 \text{ to } 400 \end{cases}$	ns

## DC SPECIFICATIONS

Symbol	Parameter	V <sub>CC</sub>	Test Condition	T <sub>A</sub> = 25°C 54HC and 74HC			- 40 to 85°C 74HC		- 55 to 125°C 54HC		Unit	
				Min.	Typ.	Max.	Min.	Max.	Min.	Max.		
V <sub>IH</sub>	High Level Input Voltage	2.0		1.5	—	—	1.5	—	1.5	—	V	
		4.5		3.15	—	—	3.15	—	3.15	—		
		6.0		4.2	—	—	4.2	—	4.2	—		
V <sub>IL</sub>	Low Level Input Voltage	2.0		—	—	0.5	—	0.5	—	0.5	V	
		4.5		—	—	1.35	—	1.35	—	1.35		
		6.0		—	—	1.8	—	1.8	—	1.8		
V <sub>OH</sub>	High Level Output Voltage	2.0	V <sub>I</sub>	I <sub>O</sub>	1.9	2.0	—	1.9	—	1.9	—	V
		4.5	V <sub>IH</sub> or V <sub>IL</sub>	- 20 μA	4.4	4.5	—	4.4	—	4.4	—	
		6.0			5.9	6.0	—	5.9	—	5.9	—	
		4.5	- 4.0 mA - 5.2 mA	4.18	4.31	—	4.13	—	4.10	—		
6.0	5.68	5.8		—	5.63	—	5.60	—				
V <sub>OL</sub>	Low Level Output Voltage	2.0	V <sub>IH</sub> or V <sub>IL</sub>	20 μA  4.0 mA 5.2 mA	—	0.0	0.1	—	0.1	—	0.1	V
		4.5			—	0.0	0.1	—	0.1	—	0.1	
		6.0			—	0.0	0.1	—	0.1	—	0.1	
		4.5			—	0.17	0.26	—	0.33	—	0.40	
6.0	—	0.18	0.26	—	0.33	—	0.40					
I <sub>I</sub>	Input Leakage Current	6.0	V <sub>I</sub> = V <sub>CC</sub> or GND		—	—	±0.1	—	±1.0	—	±1.0	μA
I <sub>CC</sub>	Quiescent Supply Current	6.0	V <sub>I</sub> = V <sub>CC</sub> or GND		—	—	1	—	10	—	20	μA

AC ELECTRICAL CHARACTERISTICS (V<sub>CC</sub> = 5V, T<sub>A</sub> = 25°C, C<sub>L</sub> = 15pF, Input t<sub>r</sub> = t<sub>f</sub> = 6ns)

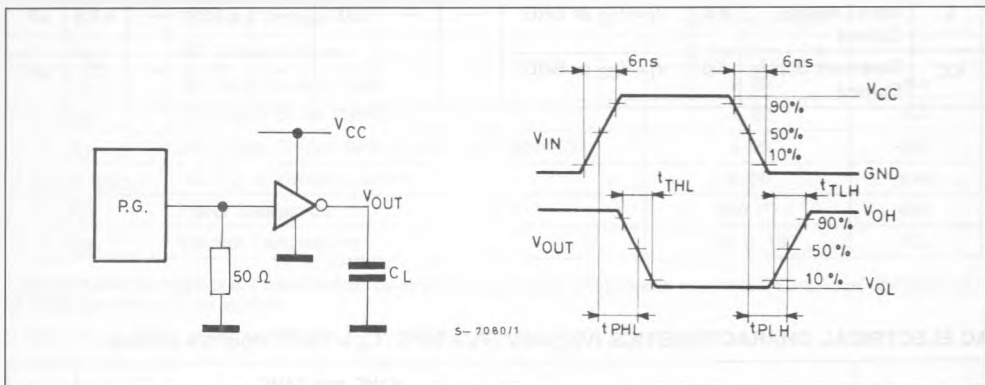
Symbol	Parameter	54HC and 74HC			Unit
		Min.	Typ.	Max.	
t <sub>TLH</sub> t <sub>THL</sub>	Output Transition Time		4	8	ns
t <sub>PLH</sub> t <sub>PHL</sub>	Propagation Delay Time		9	15	ns

AC ELECTRICAL CHARACTERISTICS ( $C_L = 50\text{pF}$ , Input  $t_r = t_f = 6\text{ns}$ )

Symbol	Parameter	$V_{CC}$	Test Condition	$T_{\Delta_j} = 25^\circ\text{C}$ 54HC and 74HC			$-40$ to $85^\circ\text{C}$ 74HC		$-55$ to $125^\circ\text{C}$ 54HC		Unit
				Min.	Typ.	Max.	Min.	Max.	Min.	Max.	
$t_{TLH}$ $t_{THL}$	Output Transition Time	2.0 4.5 6.0		— — —	30 8 7	75 15 13	— — —	95 19 16	— — —	110 22 19	ns
$t_{PLH}$ $t_{PHL}$	Propagation Delay Time	2.0 4.5 6.0		— — —	40 10 9	90 18 15	— — —	115 23 20	— — —	135 27 23	ns
$C_{IN}$	Input Capacitance			—	5	10	—	10	—	10	pF
$C_{PD} (*)$	Power Dissipation Capacitance			—	22	—	—	—	—	—	pF

Note (\*)  $C_{PD}$  is defined as the value of the IC's internal equivalent capacitance which is calculated from the operating current consumption without load. (Refer to Test Circuit)  
Average operating current can be obtained by the following equation.  
 $I_{CC(opr)} = C_{PD} \cdot V_{CC} \cdot f_{IN} + I_{CC}/6$  (per Gate).

SWITCHING CHARACTERISTICS TEST CIRCUIT



TEST CIRCUIT  $I_{CC}$  (Opr.)

