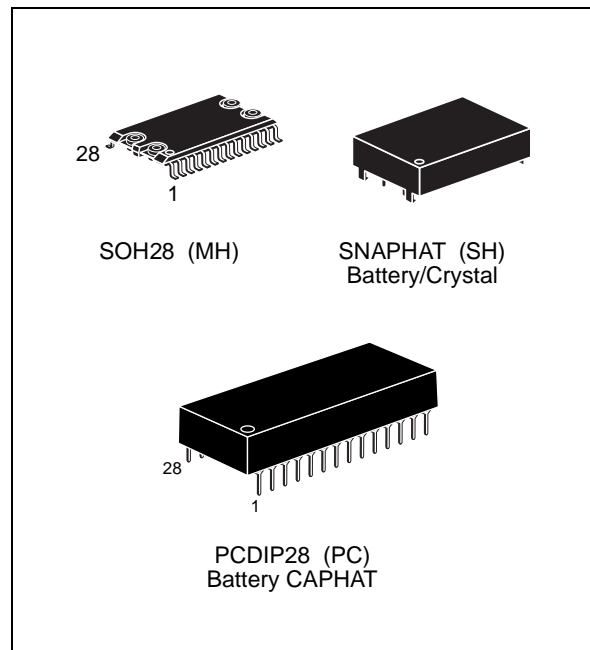


64Kb (8K x 8) ZEROPOWER[®] SRAM

DATA BRIEFING

- INTEGRATED ULTRA LOW POWER SRAM, POWER-FAIL CONTROL CIRCUIT and BATTERY
- UNLIMITED WRITE CYCLES
- READ CYCLE TIME EQUALS WRITE CYCLE TIME
- AUTOMATIC POWER-FAIL CHIP DESELECT and WRITE PROTECTION
- WRITE PROTECT VOLTAGES (V_{PFD} = Power-fail Deselect Voltage):
 - M48Z08: 4.50V ≤ V_{PFD} ≤ 4.75V
 - M48Z18: 4.20V ≤ V_{PFD} ≤ 4.50V
- SELF-CONTAINED BATTERY in the CAPHAT DIP PACKAGE
- PACKAGING INCLUDES a 28 LEAD SOIC and SNAPHAT[®] TOP (to be Ordered Separately)
- SOIC PACKAGE PROVIDES DIRECT CONNECTION for a SNAPHAT TOP which CONTAINS the BATTERY
- PIN and FUNCTION COMPATIBLE with the DS1225 and JEDEC STANDARD 8K x 8 SRAMs



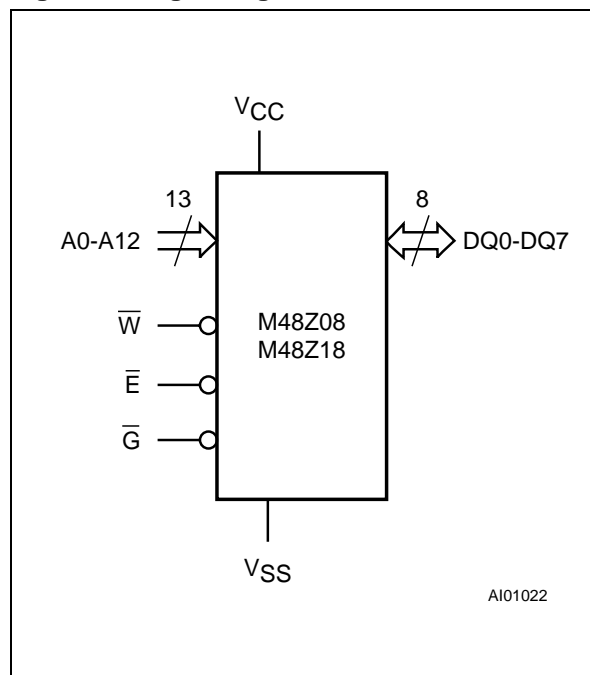
DESCRIPTION

The M48Z08/18 ZEROPOWER[®] RAM is an 8K x 8 non-volatile static RAM which is pin and functional compatible with the DS1225. The monolithic chip is available in two special packages to provide a highly integrated battery backed-up memory solution.

The M48Z08/18 is a non-volatile pin and function equivalent to any JEDEC standard 8K x 8 SRAM. It also easily fits into many ROM, EPROM, and EEPROM sockets, providing the non-volatility of PROMs without any requirement for special write timing or limitations on the number of writes that can be performed.

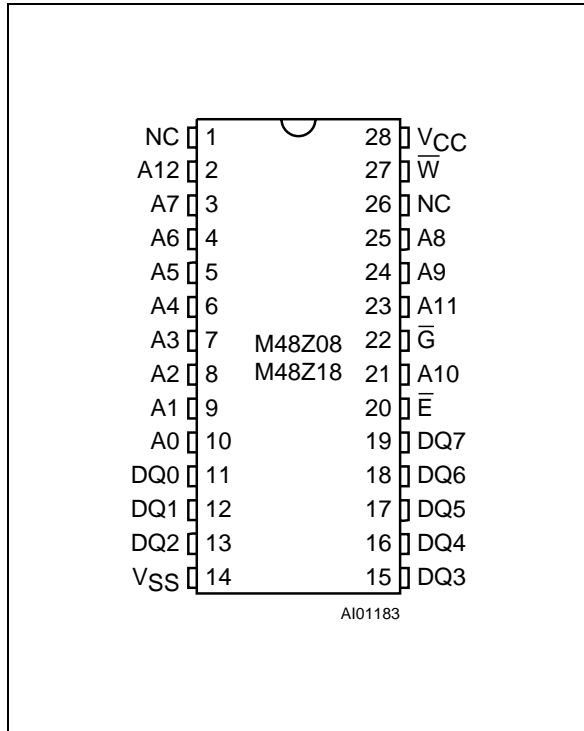
The 28 pin 600mil DIP CAPHAT[™] houses the M48Z08/18 silicon with a long life lithium button cell in a single package.

Figure 1. Logic Diagram



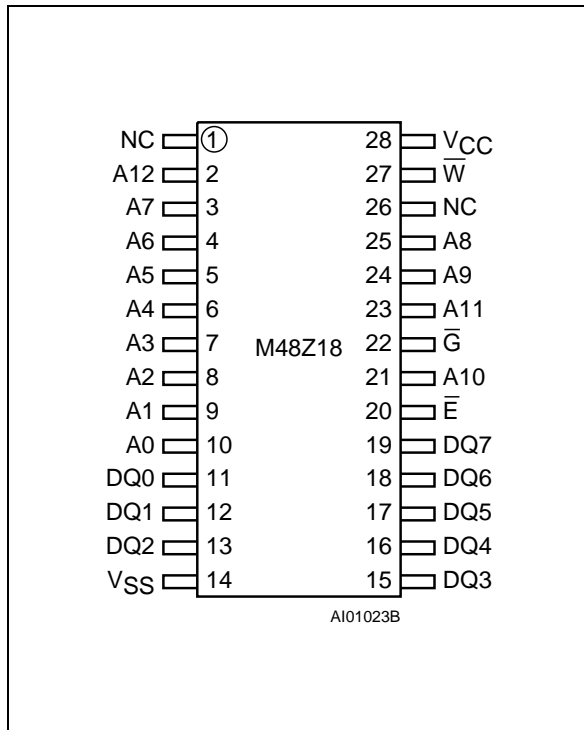
M48Z08, M48Z18

DIP Pin Connections



Warning: NC = Not Connected.

SOIC Pin Connections



Warning: NC = Not Connected.

Signal Names

A0-A12	Address Inputs
DQ0-DQ7	Data Inputs / Outputs
\bar{E}	Chip Enable
\bar{G}	Output Enable
\bar{W}	Write Enable
V _{CC}	Supply Voltage
V _{SS}	Ground

Ordering Information Scheme

For a list of available options or for further information on any aspect of this device, please contact the SGS-THOMSON Sales Office nearest to you.

Example: M48Z18 -100 MH 1 TR

Supply Voltage and Write Protect Voltage	
08 ⁽¹⁾	V _{CC} = 4.75V to 5.5V V _{PFD} = 4.5V to 4.75V
18	V _{CC} = 4.5V to 5.5V V _{PFD} = 4.2V to 4.5V
Speed	
-100	100 ns
Package	
PC	PCDIP28
MH ⁽²⁾	SOH28
Temperature Range	
1	0 to 70 °C
6 ⁽³⁾	-40 to 85 °C
Shipping Method for SOIC	
blank	Tubes
TR	Tape & Reel

- Notes:**
- The M48Z08 part is offered with the PCDIP28 (i.e. CAPHAT) package only.
 - The SOIC package (SOH28) requires the battery package (SNAPHAT) which is ordered separately under the part number "M4Z28-BR00SH1" in plastic tube or "M4Z28-BR00SH1TR" in Tape & Reel form.
 - Temperature range available for M48Z18 product only.

Caution: Do not place the SNAPHAT battery package "M4Z28-BR00SH1" in conductive foam since this will drain the lithium button-cell battery.