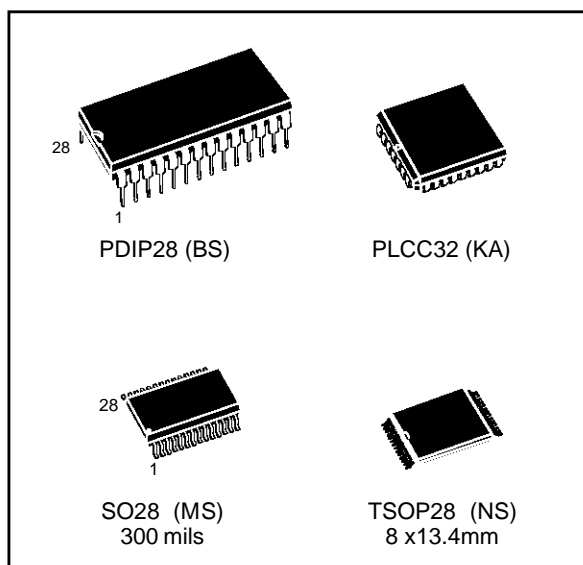


64K (8K x 8) PARALLEL EEPROM with SOFTWARE DATA PROTECTION

DATA BRIEFING

- **FAST ACCESS TIME:**
 - 90ns at 5V
 - 120ns at 3V
- **SINGLE SUPPLY VOLTAGE:**
 - 5V \pm 10% for M28C64
 - 2.7V to 3.6V for M28C64-xxW
- **LOW POWER CONSUMPTION**
- **FAST WRITE CYCLE:**
 - 64 Bytes Page Write Operation
 - Byte or Page Write Cycle: 3ms Max
- **ENHANCED END OF WRITE DETECTION:**
 - Ready/Busy Open Drain Output
 - Data Polling
 - Toggle Bit
- **PAGE LOAD TIMER STATUS BIT**
- **HIGH RELIABILITY SINGLE POLYSILICON, CMOS TECHNOLOGY:**
 - Endurance >100,000 Erase/Write Cycles
 - Data Retention >40 Years
- **JEDEC APPROVED BYTEWIDE PIN OUT**
- **SOFTWARE DATA PROTECTION**



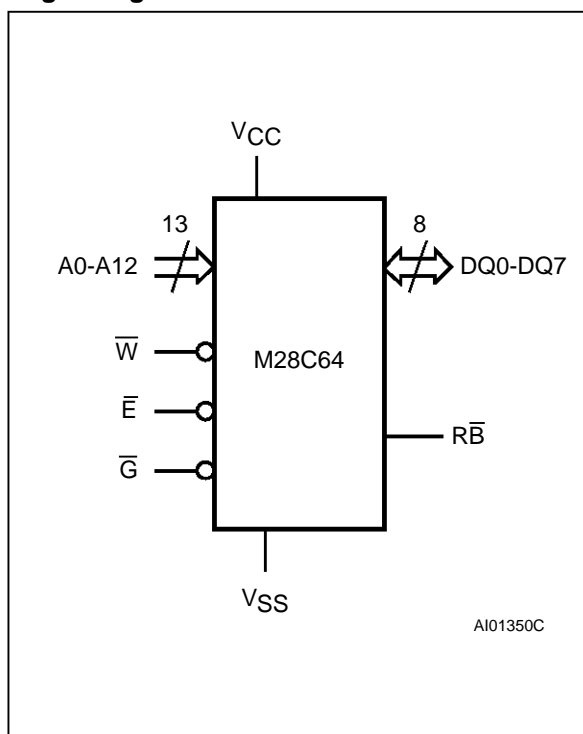
DESCRIPTION

The M28C64 and M28C64-W are 8K x 8 low power Parallel EEPROM fabricated with SGS-THOMSON proprietary single polysilicon CMOS technology.

Signal Names

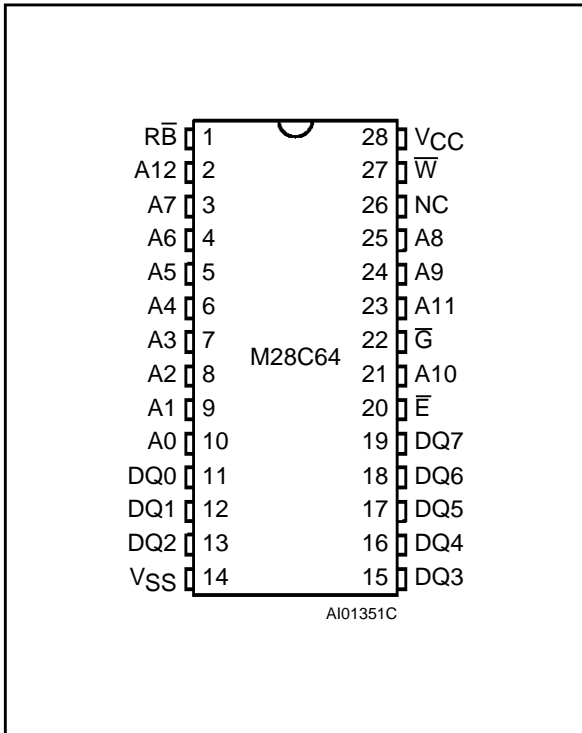
A0 - A12	Address Input
DQ0 - DQ7	Data Input / Output
\bar{W}	Write Enable
\bar{E}	Chip Enable
\bar{G}	Output Enable
$\bar{R}\bar{B}$	Ready / Busy
V _{CC}	Supply Voltage
V _{SS}	Ground

Logic Diagram



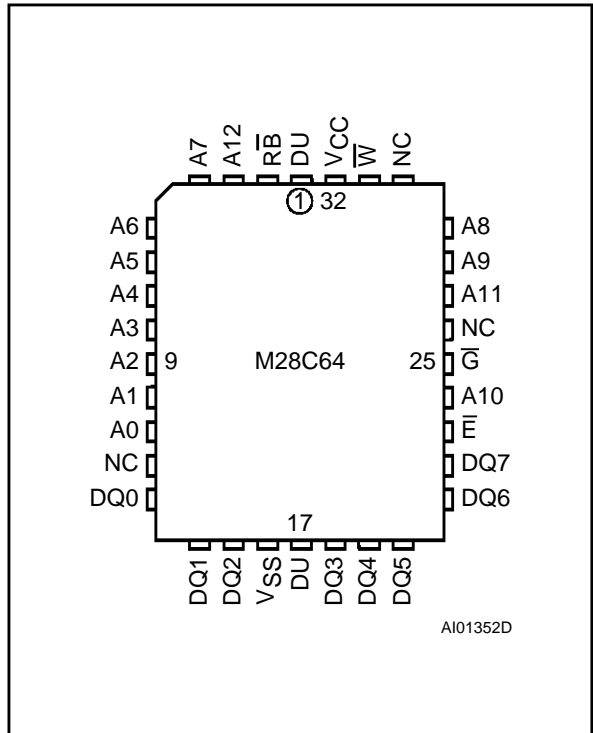
M28C64

DIP Pin Connections



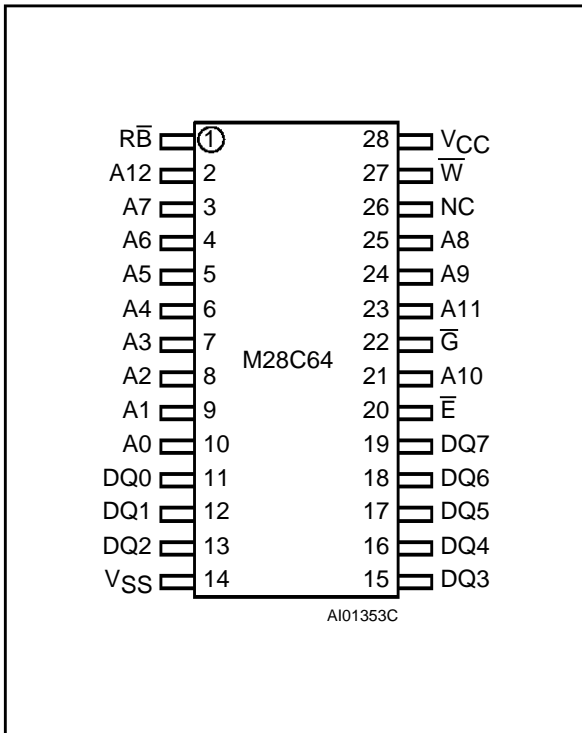
Warning: NC = Not Connected.

LCC Pin Connections



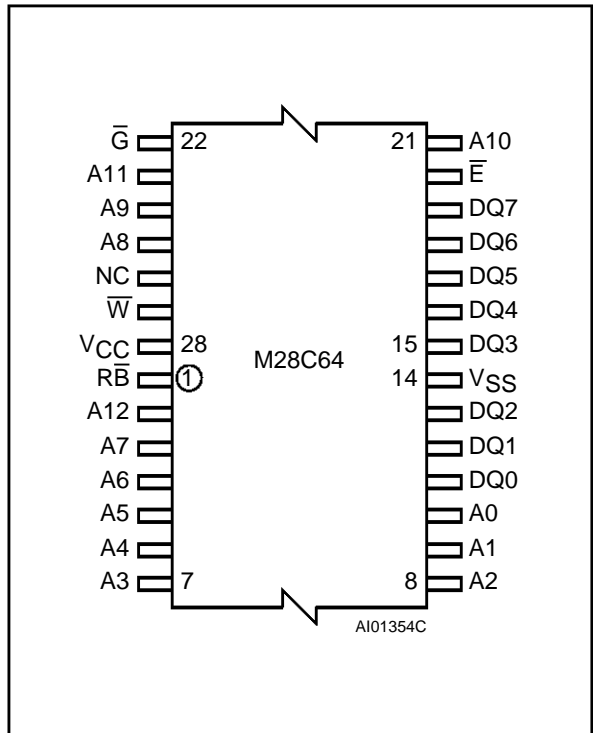
Warning: NC = Not Connected, DU = Don't Use.

SO Pin Connections



Warning: NC = Not Connected.

TSOP Pin Connections



Warning: NC = Not Connected.

ORDERING INFORMATION SCHEME

Example: M28C64 -15 W BS 6 T

Speed		Operating Voltage		Package		Temperature Range		Option	
-90 ⁽¹⁾	90ns	blank	4.5V to 5.5V	BS	PDIP28	1	0 to 70 °C	T	Tape & Reel Packing
-12	120ns	W	2.7V to 3.6V	MS	SO28 300 mils	6	-40 to 85 °C		
-15	150ns			NS	TSOP28 8 x 13.4mm				
-20 ⁽²⁾	200ns			KA	PLCC32				
-25 ⁽²⁾	250ns								
-30 ⁽²⁾	300ns								

Notes: 1. Available for M28C64 only.
2. Available for M28C64-xxW only.

Devices are shipped from the factory with the memory content set at all "1's" (FFh).

For a list of available options (Speed, Package, etc...) or for further information on any aspect of this device, please contact the SGS-THOMSON Sales Office nearest to you.