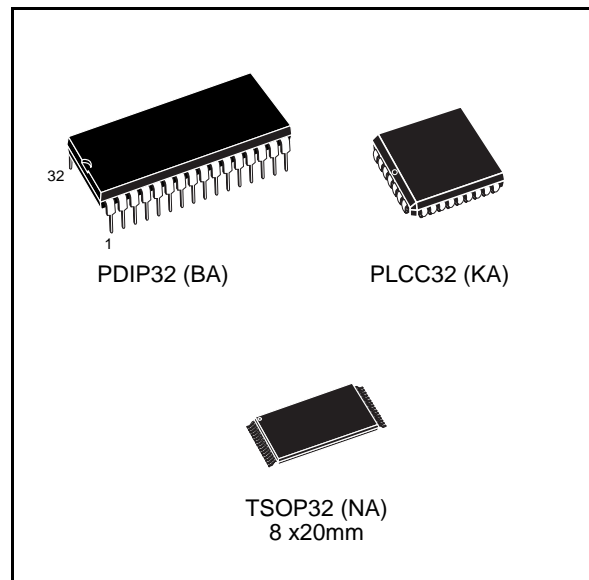


## 1Mbit (128Kb x8) Parallel EEPROM with Software Data Protection

### DATA BRIEFING

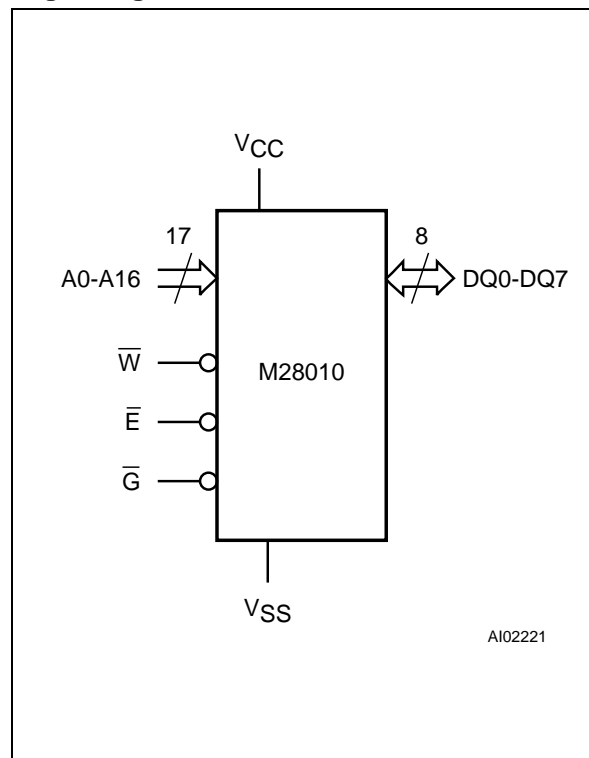
- FAST ACCESS TIME: 100ns
- 2.7V to 3.6V SINGLE SUPPLY VOLTAGE
- LOW POWER CONSUMPTION
- FAST WRITE CYCLE:
  - 128 Bytes Page Write Operation
  - Byte or Page Write Cycle
- ENHANCED END OF WRITE DETECTION:
  - Data Polling
  - Toggle Bit
- PAGE LOAD TIMER STATUS BIT for START of WRITE DETECTION
- STATUS REGISTER
- HIGH RELIABILITY DOUBLE POLYSILICON, CMOS TECHNOLOGY:
  - Endurance >100,000 Erase/Write Cycles
  - Data Retention >10 Years
- JEDEC APPROVED BYTEWISE PIN OUT and STANDARD COMMANDS
- SOFTWARE DATA PROTECTION
- HARDWARE WRITE PROTECTION
- SOFTWARE CHIP ERASE



### DESCRIPTION

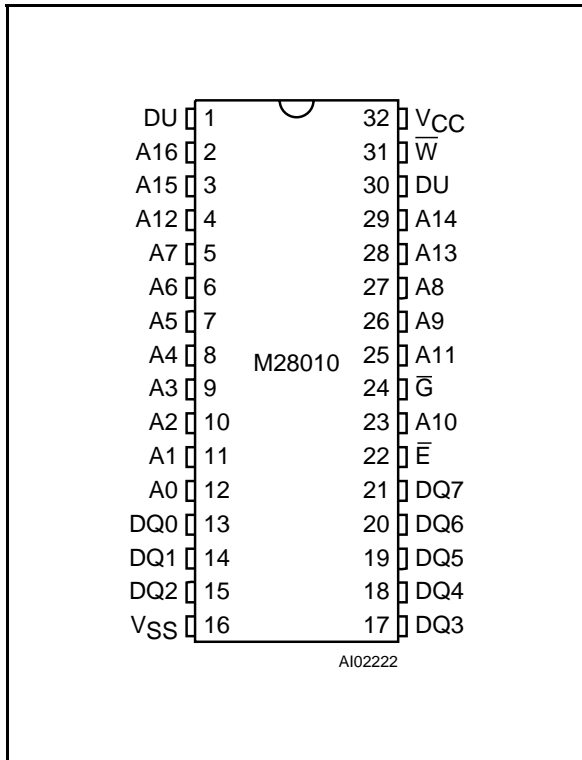
The M28010 is a 128 Kbit x 8 low power Parallel EEPROM fabricated with SGS-THOMSON proprietary double polysilicon CMOS technology. The devices offer fast access time with low power dissipation and requires a 2.7V to 3.6V power supply. The circuit has been designed to offer a flexible microcontroller interface featuring both hardware and software handshaking with Data Polling and Toggle Bit and access to a status register. The devices support a 128 byte page write operation. A Software Data Protection (SDP) and Software Chip Erase are also possible using the standard JEDEC algorithm.

### Logic Diagram



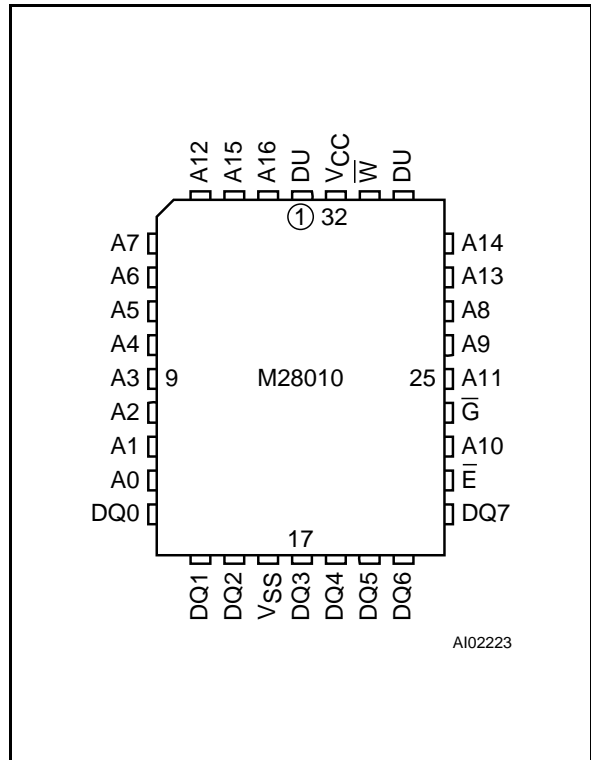
# M28010

## DIP Pin Connections



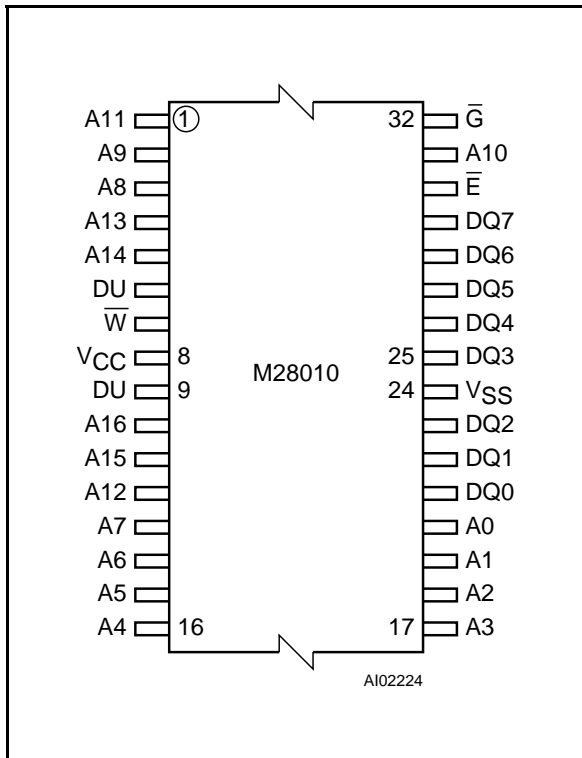
Warning: DU = Don't Use.

## LCC Pin Connections



Warning: DU = Don't Use.

## TSOP Pin Connections

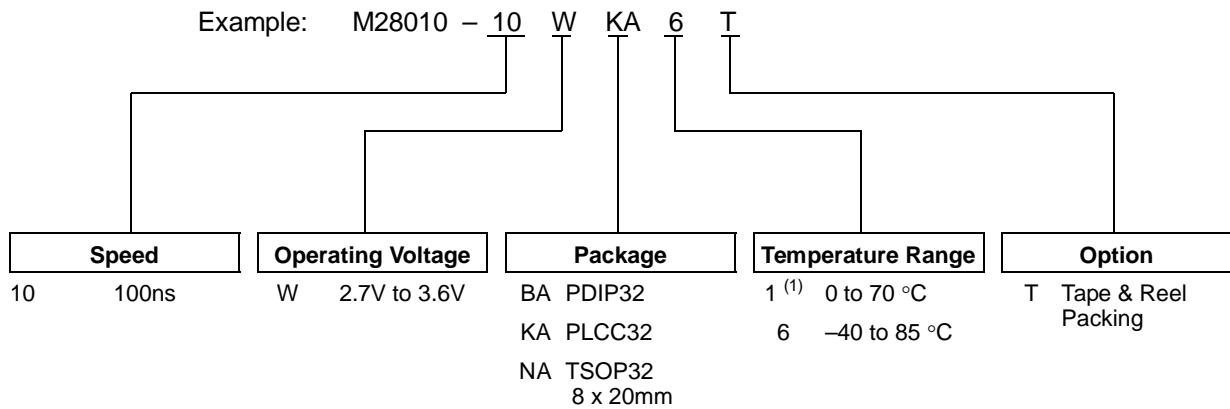


Warning: DU = Don't Use.

## Signal Names

A0-A16	Address Input
DQ0-DQ7	Data Input / Output
$\overline{W}$	Write Enable
$\overline{E}$	Chip Enable
$\overline{G}$	Output Enable
V <sub>CC</sub>	Supply Voltage
V <sub>SS</sub>	Ground

## ORDERING INFORMATION SCHEME



**Note:** 1. Temperature Range on request only.

Devices are shipped from the factory with the memory content set at all "1's" (FFh).

For a list of available options (Speed, Package, etc...) or for further information on any aspect of this device, please contact the SGS-THOMSON Sales Office nearest to you.