

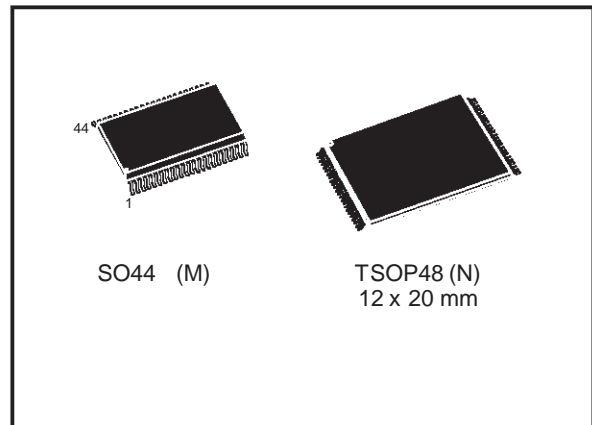


M27C320

32 Mbit (4Mb x8 or 2Mb x16) OTP EPROM

DATA BRIEFING

- 5V \pm 10% SUPPLY VOLTAGE in READ OPERATION
- FAST ACCESS TIME: 80ns
- BYTE-WIDE or WORD-WIDE CONFIGURABLE
- 32 Mbit MASK ROM REPLACEMENT
- LOW POWER CONSUMPTION
 - Active Current 70mA at 8MHz
 - Stand-by Current 100 μ A
- PROGRAMMING VOLTAGE: 12V \pm 0.25V
- PROGRAMMING TIME: 100 μ s/byte (typical) (PRESTO III Algorithm)
- ELECTRONIC SIGNATURE:
 - Manufacturer Code 0020h
 - Device Code: 0032h

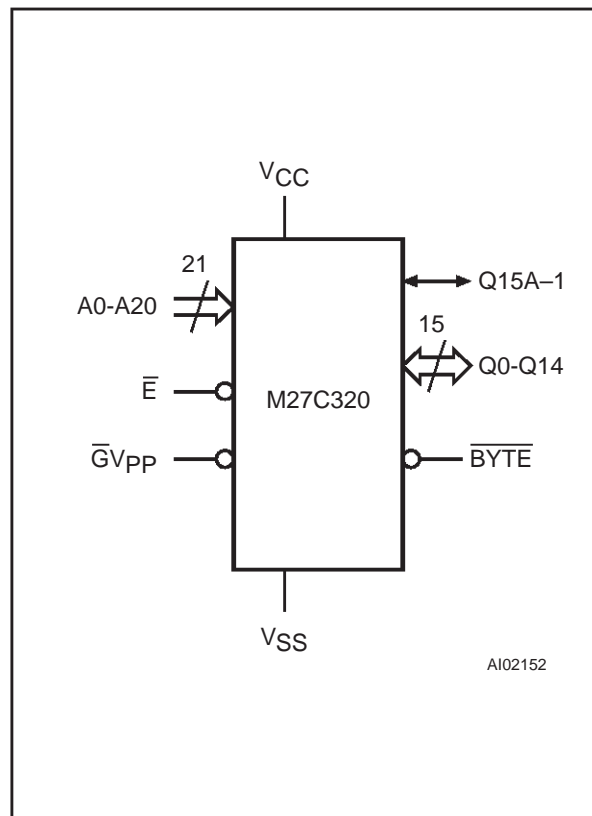


DESCRIPTION

The M27C320 is a 32 Mbit EPROM offered in the OTP range (one time programmable). It is ideally suited for microprocessor systems requiring large data or program storage. It is organised as either 4 MWords of 8 bit or 2 MWords of 16 bit. The pin-out is compatible with the 32 Mbit Mask ROM.

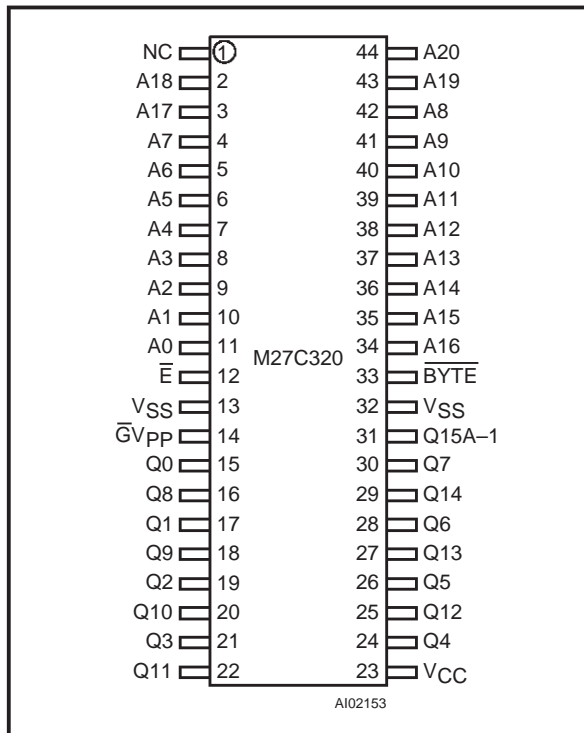
The M27C320 is offered in TSOP48 (12 x 20mm) and SO44 packages.

Logic Diagram



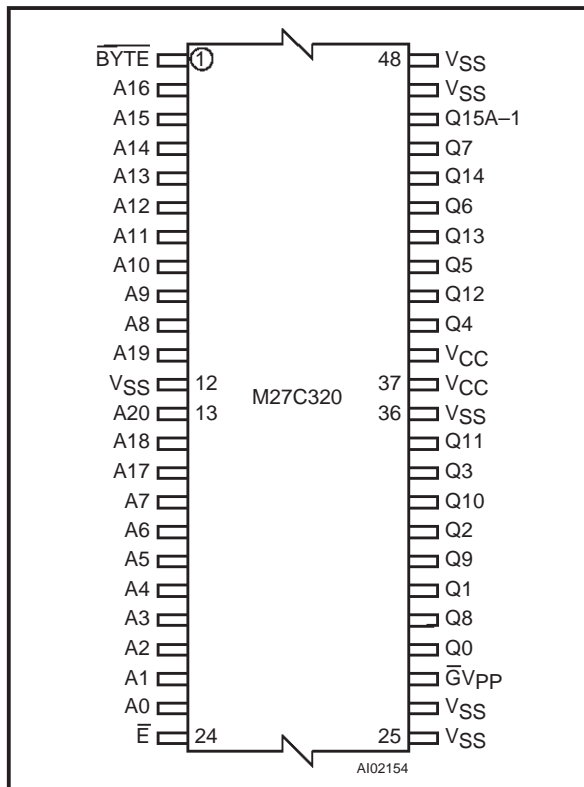
M27C320

SO Pin Connections



Warning: NC = Not Connected.

TSOP Pin Connections



Signal Names

A0-A20	Address Inputs
Q0-Q7	Data Outputs
Q8-Q14	Data Outputs
Q15A-1	Data Output / Address Input
\bar{E}	Chip Enable
$\bar{G}V_{PP}$	Output Enable / Program Supply
$\bar{B}YTE$	Byte-Wide Select
V_{CC}	Supply Voltage
V_{SS}	Ground

Ordering Information Scheme

For a list of available options or for further information on any aspect of this device, please contact the STMicroelectronics Sales Office nearest to you.

Example: M27C320 -80 M 1

