

### DUAL AUDIO POWER AMPLIFIER

The KIA8200AH is dual audio power amplifier for consumer applications.

This IC provides an output power of 13 watts per channel (at  $V_{CC}=28V$ ,  $f=1kHz$ ,  $THD=10\%$ ,  $R_L=8\Omega$ .)

It is suitable for power amplifier of TV and home stereo.

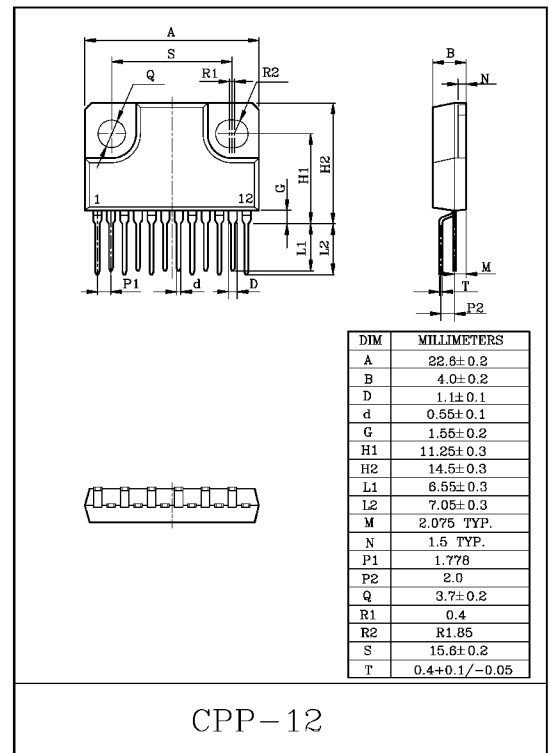
### FEATURES

- High Output Power  
:  $P_{OUT}=13W/channel(Typ.)$   
( $V_{CC}=28V$ ,  $R_L=8\Omega$ ,  $f=1kHz$ ,  $THD=10\%$ )
- Low Noise  
:  $V_{NO}=0.14mV_{rms}(Typ.)$   
( $V_{CC}=28V$ ,  $R_L=8\Omega$ ,  $G_V=34dB$ ,  $R_g=10k\Omega$ ,  $BW=20Hz\sim 20kHz$ )
- Very Few External Parts.
- Built-in Audio Muting Circuit.
- Built-in Thermal Shut Down Protector Circuit.
- Operating Supply Voltage. :  $V_{CC(oper)}=10\sim 37V(T_a=25^\circ C)$

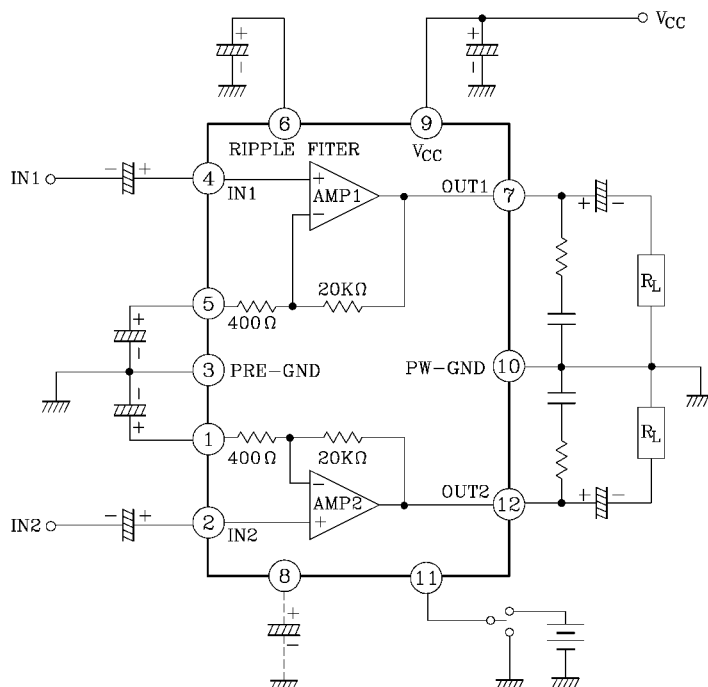
### MAXIMUM RATINGS ( $T_a=25^\circ C$ )

CHARACTERISTIC	SYMBOL	RATING	UNIT
Supply Voltage	$V_{CC}$	37	V
Output Current (Peak/Ch)	$I_{O(peak)}$	2.5	A
Power Dissipation	$P_D$ *	25	W
Operating Temperature	$T_{opr}$	$-20\sim 75$	$^\circ C$
Storage Temperature	$T_{stg}$	$-55\sim 150$	$^\circ C$

\* : Derated above  $T_a=25^\circ C$  in the proportion of  $200mW/^\circ C$  for KIA8200AH



### BLOCK DIAGRAM



# KIA8200AH

## ELECTRICAL CHARACTERISTICS

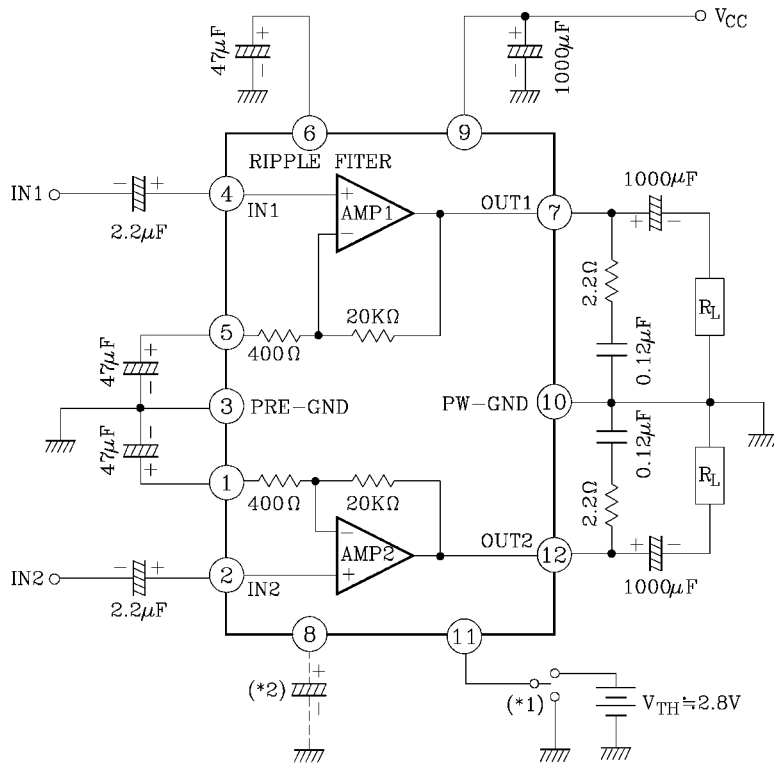
(Unless otherwise specified,  $V_{CC}=28V$ ,  $R_L=8\Omega$ ,  $f=1kHz$ ,  $T_a=25^\circ C$ )

CHARACTERISTIC	SYMBOL	TEST CIRCUIT	TEST CONDITION	MIN.	TYP.	MAX.	UNIT
Quiescent Current	$I_{CCQ}$	-	$V_{IN}=0$	-	50	105	mA
Output Power	$P_{OUT(1)}$	-	THD=10%	10	13	-	W
	$P_{OUT(2)}$	-	THD=1%	-	10	-	
Total Harmonic Distortion	THD	-	$P_{OUT}=2W$	-	0.04	0.2	%
Voltage Gain	$G_V$	-	$V_{OUT}=0.775V_{rms}$ (0dBm)	32.5	34.0	35.5	dB
Input Resistance	$R_{IN}$	-	-	-	30	-	k $\Omega$
Ripple Rejection Ratio	R.R	-	$R_g=0$ , $f_{ripple}=100Hz$ , $V_{ripple}=0.775V_{rms}$ (0dBm)	-40	-50	-	dB
Output Noise Voltage	$V_{NO}$	-	$R_g=10k\Omega$ , $BW=20Hz\sim 20kHz$	-	0.14	0.3	mV $_{rms}$
Cross Talk.	C.T	-	$R_g=10\Omega$ , $V_{OUT}=7.775V_{rms}$ (0dBm)	-	-70	-	dB
Muting Threshold Voltage	$V_{th\textcircled{0}}$	-	-	2.6	2.8	-	V

TYP. DC VOLTAGE OF EACH TERMINAL ( $V_{CC}=28V$ ,  $T_a=25^\circ C$ )

TERMINAL No.	1	2	3	4	5	6	7	8	9	10	11	12
DC Voltage(V)	1.6	20m	GND	20m	1.6	9.4	13.0	5.0	$V_{CC}$	GND	2.8	13.0

## TEST CIRCUIT



(\*1) Mute on at  $\textcircled{11}$  pin low

$V_{TH}=2.8V$  (Typ.),  $V_{CC}=28V$ ,  $T_a=25^\circ C$

(\*2) The capacitor for reducing POP noise at mute ON.

## APPLICATION INFORMATION

### (1) Voltage Gain

The closed loop voltage gain is determined by  $R_1$ ,  $R_2$

$$G_V = 20 \log \frac{R_1 + R_2}{R_2} \text{ (dB)}$$

$$= 20 \log \frac{20\text{k}\Omega + 400\Omega}{400\Omega} = 34\text{(dB)}$$

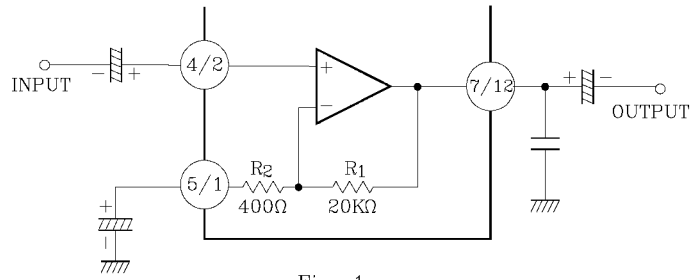


Fig. 1

### (2) Amplifier with gain < 34dB

$$G_V = 20 \log \frac{R_1 + R_2 + R_3}{R_2 + R_3} \text{ (dB)}$$

When  $R_3 = 220\Omega$

$$G_V \approx 30\text{(dB)}$$

is given.

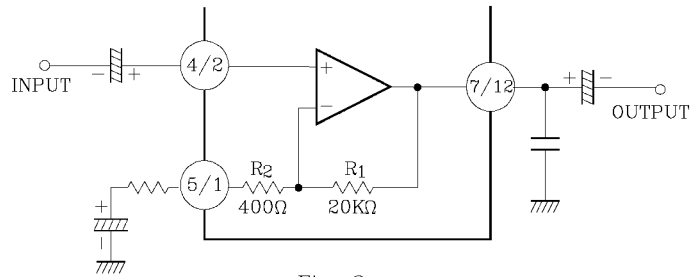


Fig. 2

# KIA8200AH

## Muting

### (1) Audio muting

This IC is possible to make audio muting operation by using ⑩pin muting terminal.

In Fig.3, the equivalent circuit in the muting circuit section is shown.

By means of reducing the voltage of ⑩pin down to 2.8V or less in Fig.3, Q<sub>1</sub> is turned ON and the base voltage of Q<sub>2</sub> in the differential circuit fabricated with Q<sub>2</sub> and Q<sub>3</sub>.

Therefore, with the voltage reduction of ⑩pin, the input circuits of dummy of input terminal and that in the dotted line operate and cut-off the input signal.

After muting, the bias circuit continues its operation and the power supply current of quiescent time.

⑧pin, the capacitor terminal for reducing the pop noise can reduce the pop noise through making the time constant longer by means of inserting the capacitor externally.

In the case this terminal is not used, short ⑧pin with ⑩pin.

The voltage of ⑩pin set up to 4V or more.

### (2) IC internal muting at V<sub>CC</sub> OFF

When V<sub>CC</sub>=8V or less at V<sub>CC</sub> off, the detection circuit at V<sub>CC</sub> off is operated. And the base voltage of Q<sub>1</sub> is reduced and the muting operation is mode.

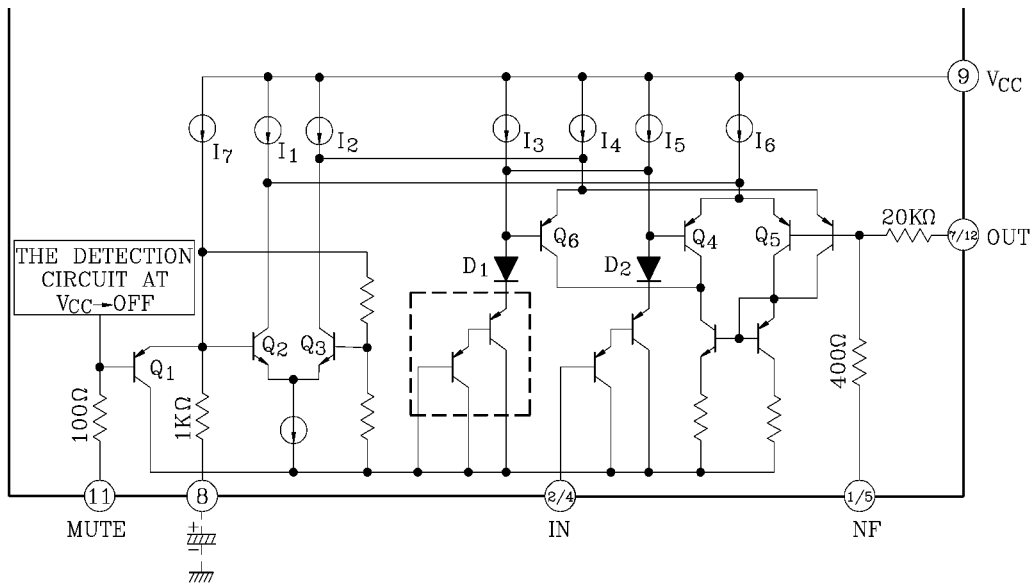
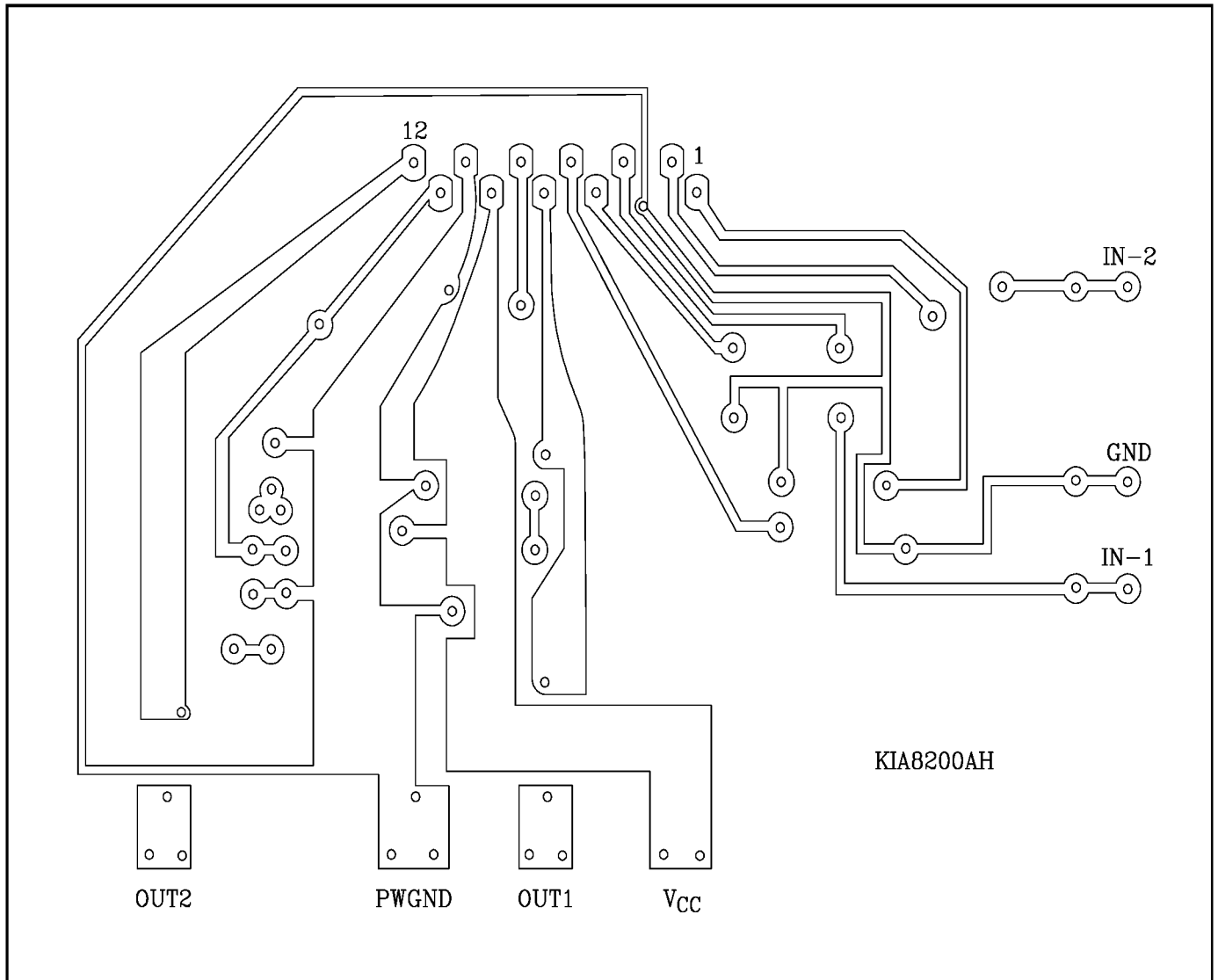


Fig. 3

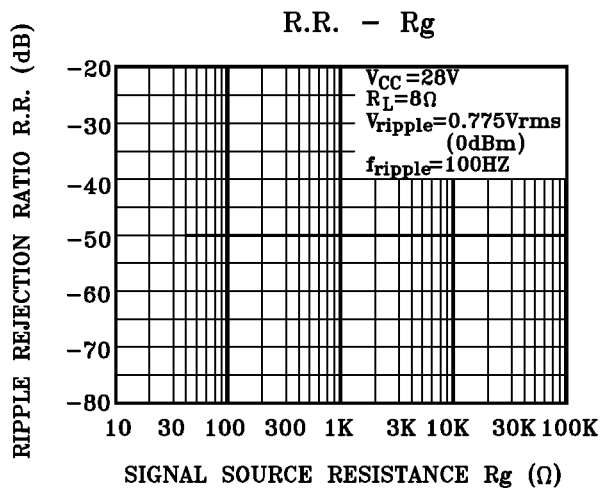
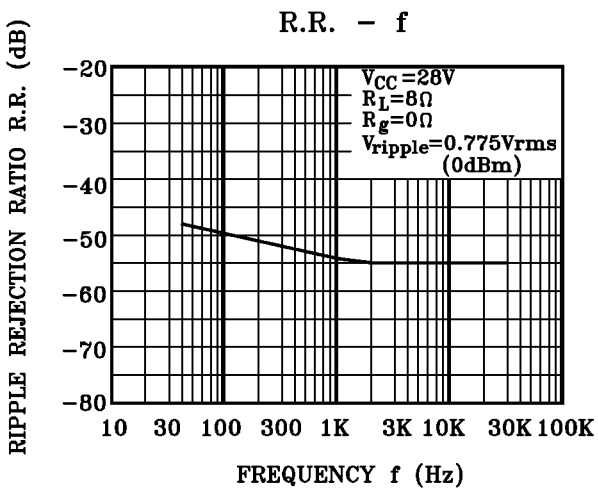
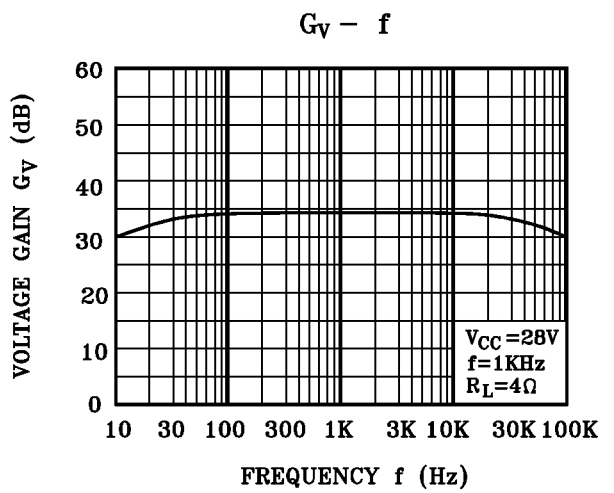
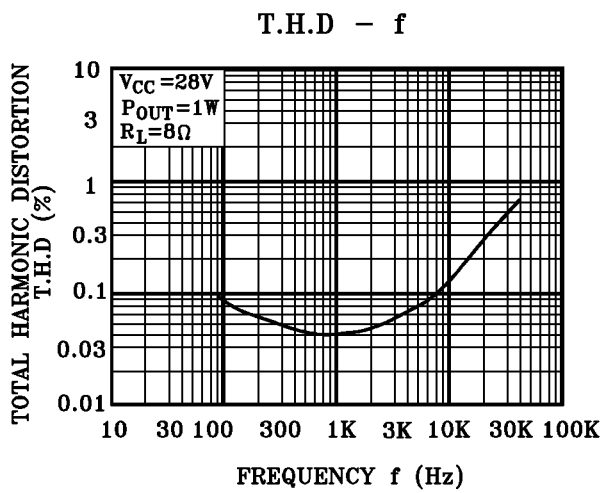
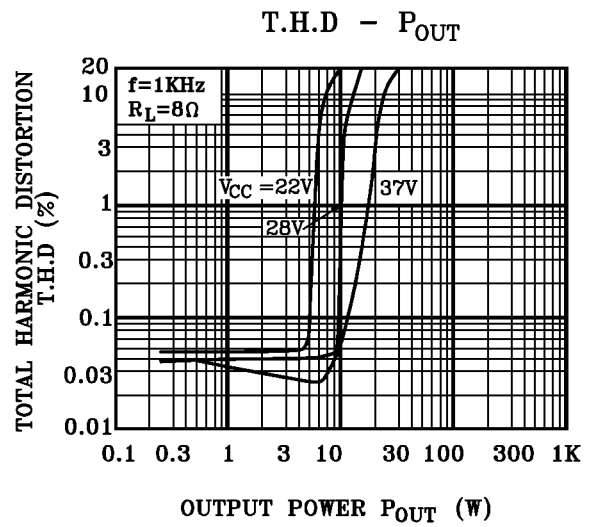
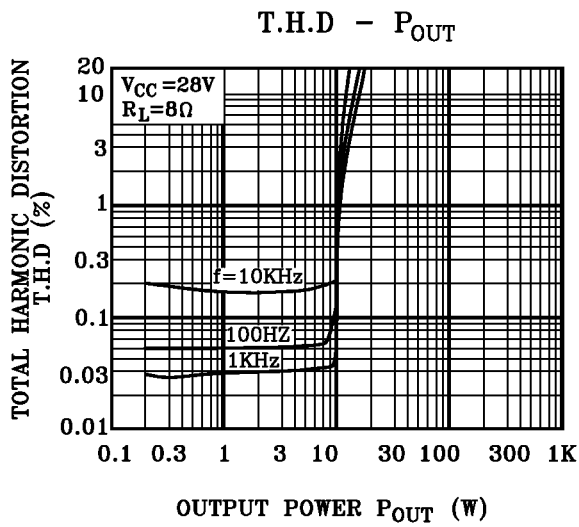
# KIA8200AH

(3) Standard PCB KIA8200AH



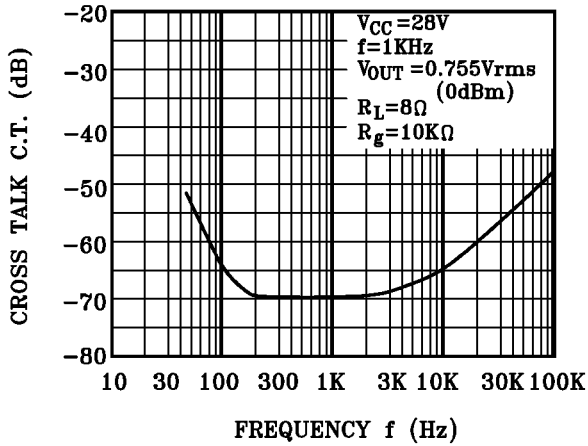
(BOTTOM VIEW)

# KIA8200AH

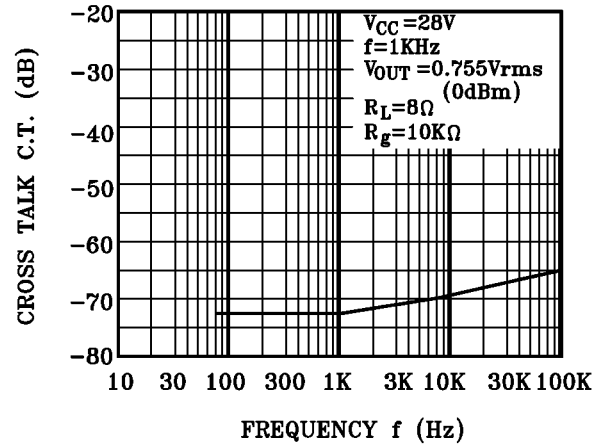


# KIA8200AH

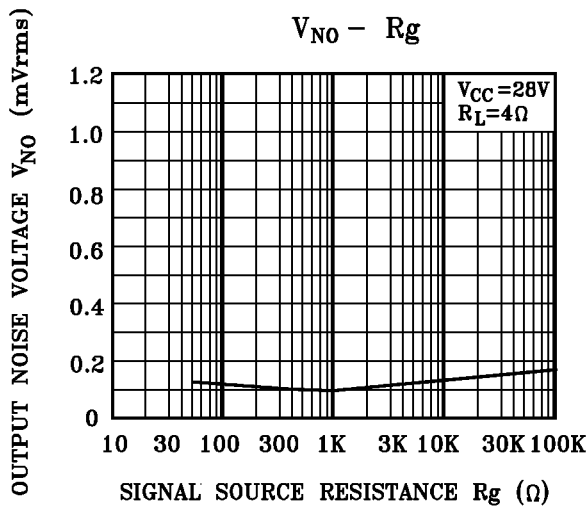
C.T. - f



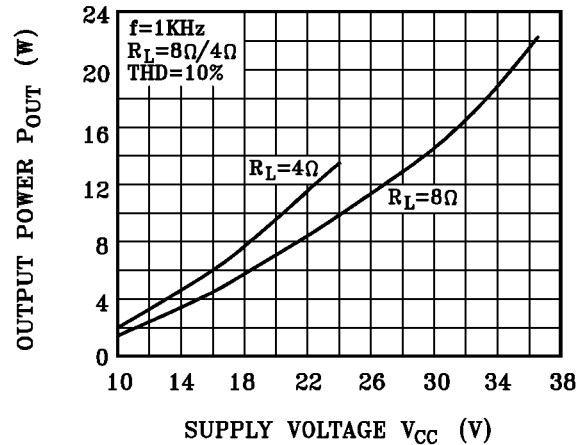
C.T. -  $R_g$



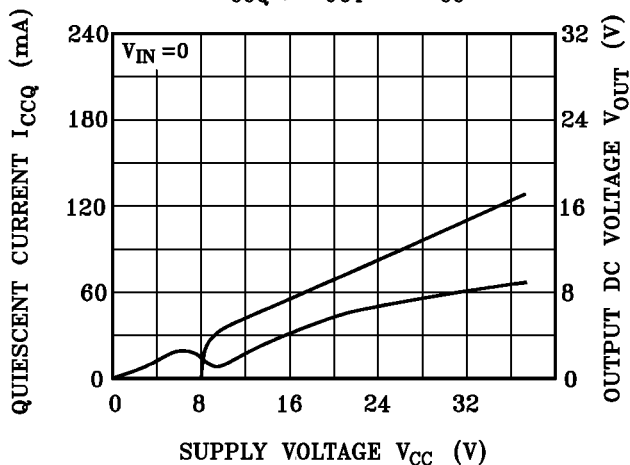
$V_{No} - R_g$



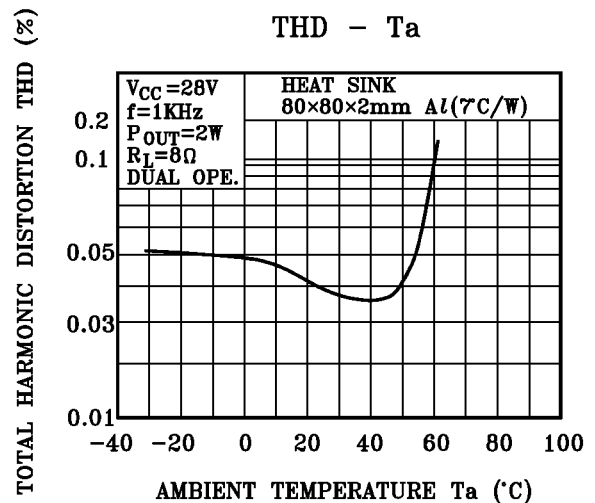
$P_{OUT} - V_{CC}$



$I_{CCQ}, V_{OUT} - V_{CC}$



THD -  $T_a$



# KIA8200AH

