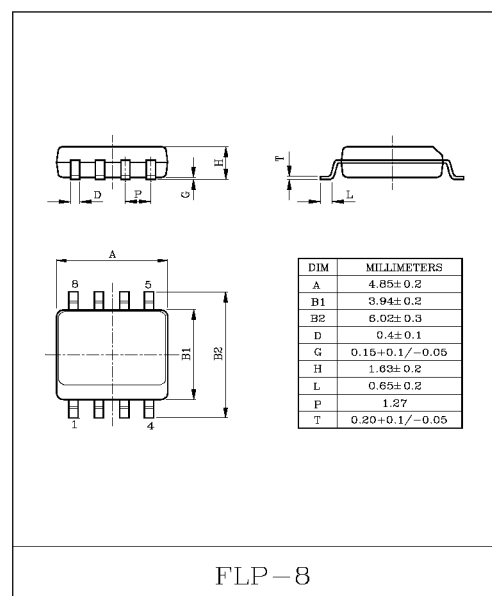
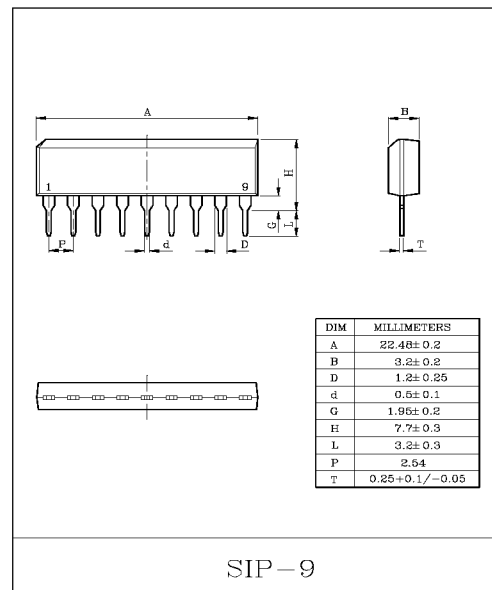
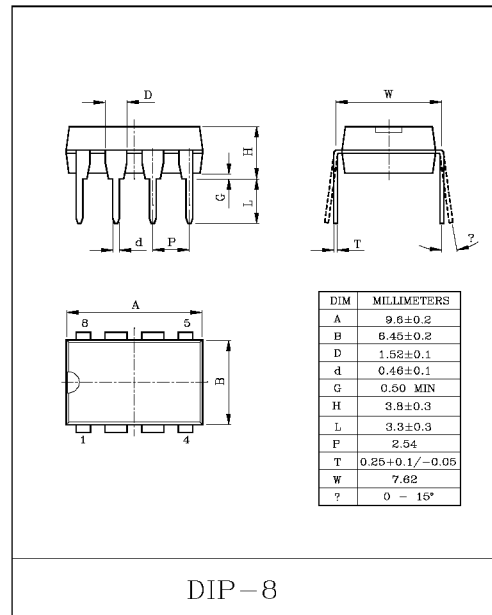
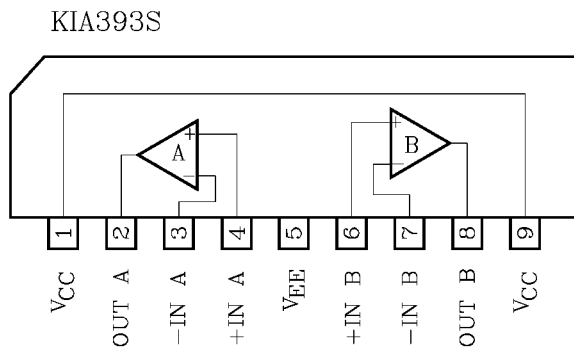
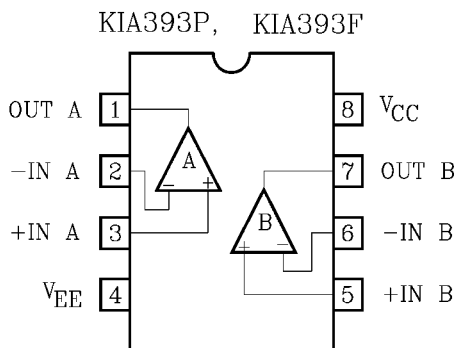


DUAL COMPARATOR

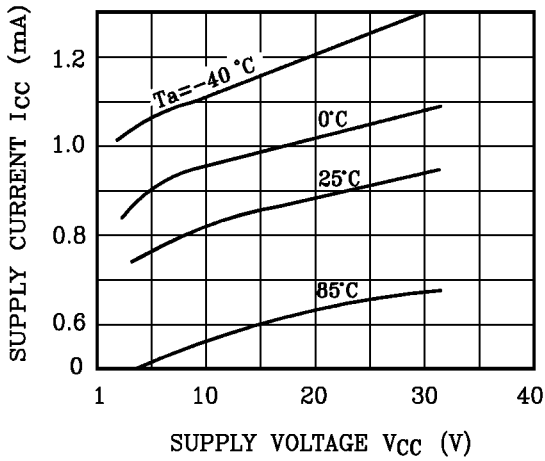
- Be Possible to Operate at the Wide Range Single or Two Supply Voltage.
- Low Supply Current : $I_{CC}=0.8\text{mA(Typ.)}$.
- Low Input Offset Voltage : $V_{IO}=2\text{mV(Typ.)}$.
- Wide Common Mode Input Voltage : $0V_{DC}$ to $V_{CC}-1.5V_{DC}$.
- Output is Compatible with TTL, DTL, MOS and C-MOS.
- Output is Open Collector and Wired-OR Possible.
- Possible to exchange the position of Pin⑨ for Pin① because of Pin connection being symmetric (KIA393S only).
- The Pin① and Pin⑨ of Lead frame was each other connected (KIA393S Only).

PIN CONNECTION (TOP VIEW)

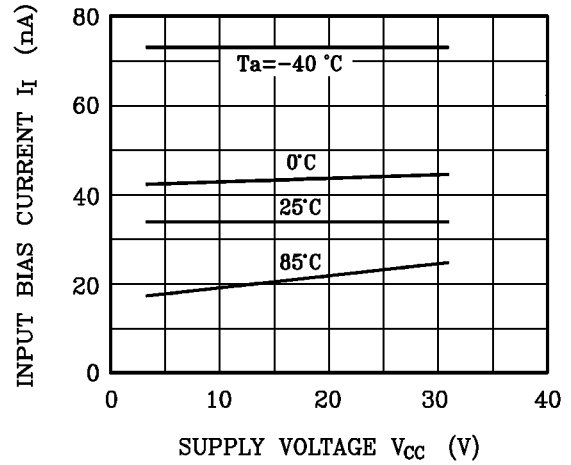


KIA393P/S/F

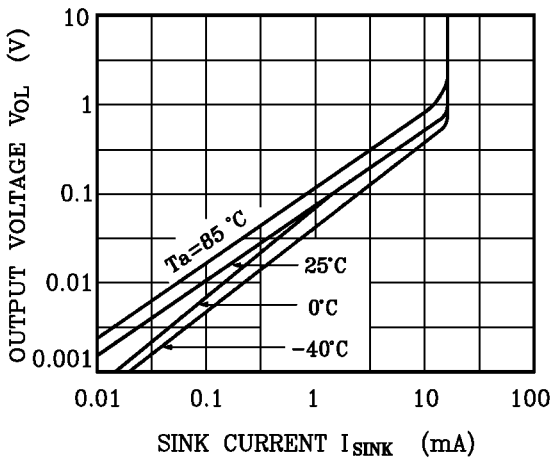
$V_{CC} - I_{CC}$



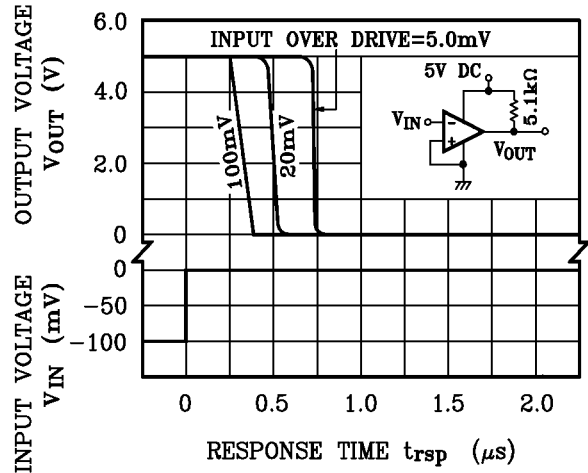
$V_{CC} - I_I$



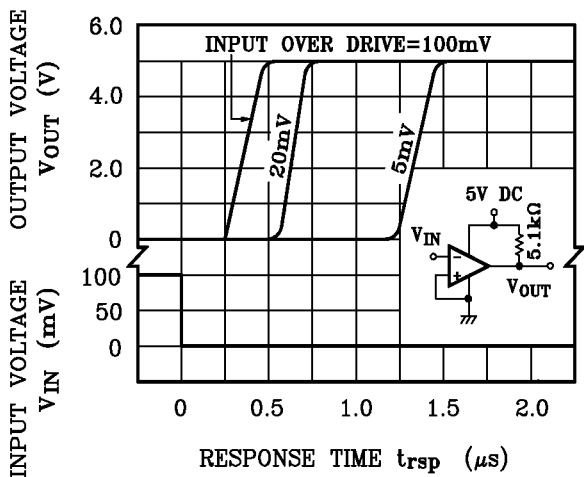
$V_{OL} - I_{SINK}$



$V_{IN}, V_{OUT} - t_{rsp}$



$V_{IN}, V_{OUT} - t_{rsp}$



$P_D - T_a$

