

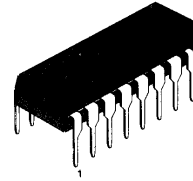
KA3825

SMPS CONTROLLER

HIGH SPEED PWM CONTROLLER

The KA3825 is a high speed PWM controller for high frequency SMPS applications. This controller includes precise voltage reference, low start up current circuit, soft start, high frequency oscillator, high speed Current limit comparator, wideband error amplifier, double pulse suppression logic, and double totempole output drivers. Circuit design for high speed and schottky process result in very short propagation delays through the current limit comparator, logic and output drivers. Also KA3825 is available for both current mode and voltage mode power supply.

16-DIP



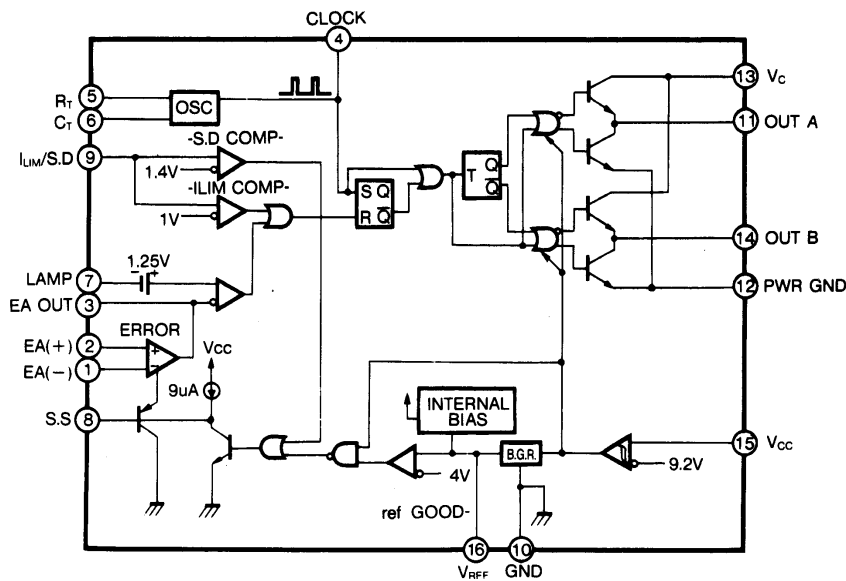
FEATURES

- Precision Voltage Reference
- Wide Bandwidth Error Amplifier
- 50ns Propagation Delay to Output
- Under Voltage Lock Out with Hysteresis
- Soft Start and Max. Duty Cycle Control
- Low Start Up Current
- Double Pulse Suppression Logic
- High Current Dual Totempole Outputs
- Current Mode or Voltage Mode Control

ORDERING INFORMATION

Device	Package	Operating Temperature
KA3825	16 DIP	0 ~ +70 °C

BLOCK DIAGRAM



ABSOLUTE MAXIMUM RATINGS

Characteristic	Symbol	Value	Unit
Supply Voltage	V_{CC}	30	V
Output Current (DC)	I_{OD}	0.5	A
Output Current (PULSE)	I_{OP}	2	A
Clock Output Current	I_{CO}	5	mA
E.A Output Current	I_{EAO}	5	mA
S.S Sink Current	$I_{S.S}$	20	mA
Analog Input	V_{IN}	-0.3 ~ +6	V

ELECTRICAL CHARACTERISTICS

($V_{CC} = 15V$, $R_T = 3.6K\Omega$, $C_T = 1.0nF$, $T_A = 0^\circ C \sim 70^\circ C$, Unless otherwise specified)

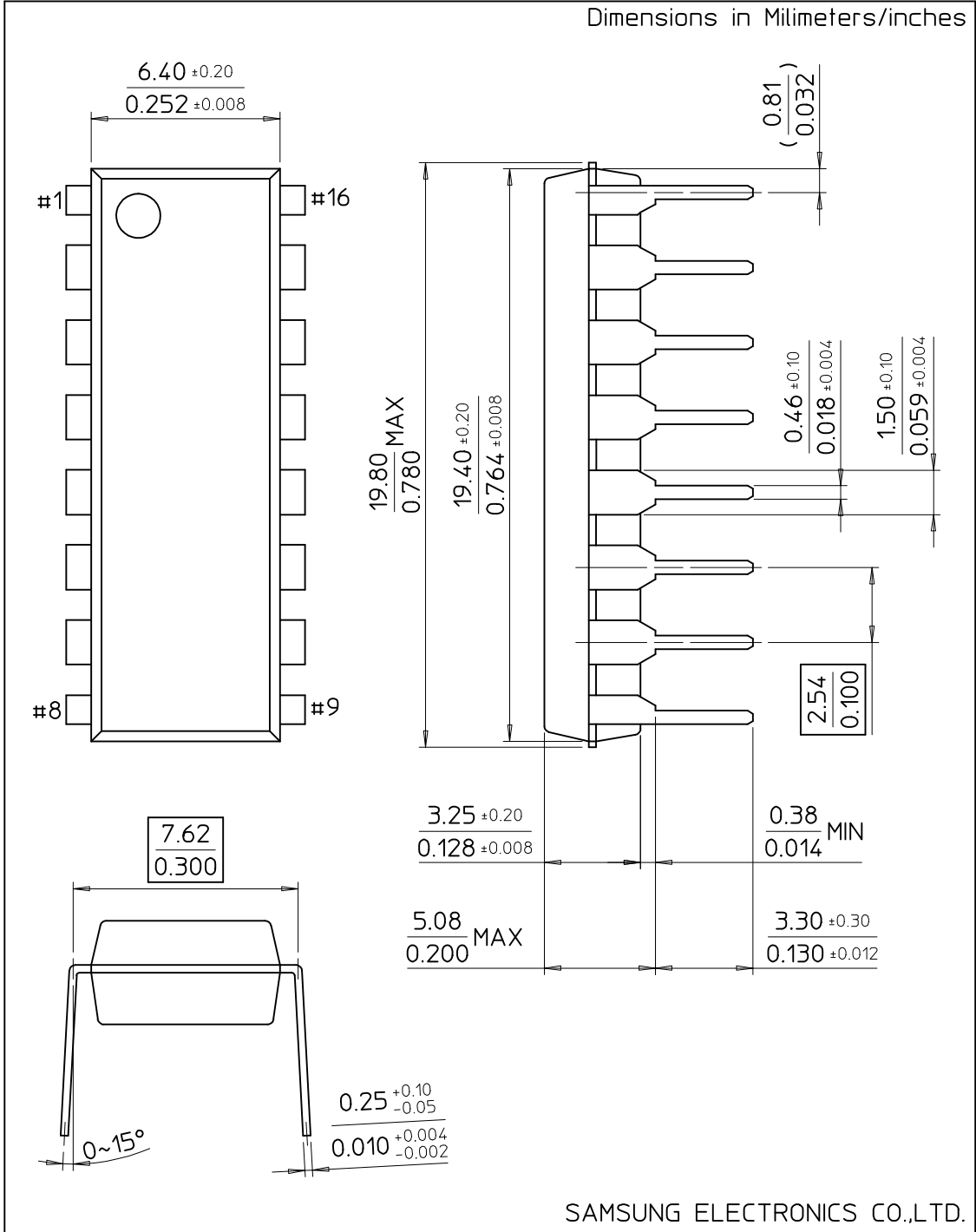
Characteristic	Symbol	Test Conditions	Min	Typ	Max	Unit
REFERENCE SECTION						
Output Voltage	V_{REF}	$T_J = 25^\circ C$, $I_O = 1mA$	5.0	5.1	5.2	V
Line Regulation	R_{LINE}	$V_{CC} = 10V$ to $30V$	-	2	20	mV
Load Regulation	R_{LOAD}	$I_L = 1$ to $10mA$	-	5	20	mV
Temperature Stability	$\Delta V_{REF}/\Delta T$	$T_A = 0$ to $70^\circ C$	-	0.2	0.4	mV/ $^\circ C$
Output Voltage Range	ΔV_{REF}	LINE, LOAD, TEMP.	4.95		5.25	V
Output Noise Voltage	V_N	$f = 10Hz$ to $10KHz$	-	50		μV_{RMS}
Long Term Stability	S	$T_J = 125^\circ C$, 1000hrs	-	5	25	mV
Short Circuit Current	I_{SC}	$V_{REF} = 0V$	-15	-50	-100	mA
PWM COMPARATOR SECTION						
Ramp Input Bias Current	I_{RB}	$V_{PIN7} = 0V$		-1	-5	μA
Duty Cycle Range	DC		0		85	%
Zero Duty Cycle T.H	V_{TH0}	$V_{RAMP} = 0V$	1.1	1.25		V
Delay to drive Output	T_D			50	80	ns

Characteristic	Symbol	Test Conditions	Min	Typ	Max	Unit
OSCILLATOR SECTION						
Initial Accuracy	F_{OSC}	$T_J = 25^\circ\text{C}$, $I_O = 1\text{mA}$	360	400	440	KHz
Voltage Stability	$\Delta F_{OSC}/\Delta V_{CC}$	$V_{CC} = 10\text{V to }30\text{V}$	-	0.2	2	%
Temperature Stability	$\Delta F_{OSC}/\Delta T_J$	$T_J = 0 \text{ to } +70^\circ\text{C}$	-	5	-	%
Total Variation	ΔF_{OSC}	LINE, TEMP.	340	-	460	KHz
Clock High Level	V_{CH}	-	3.9	4.5	-	V
Clock Low Level	V_{CL}	-	-	2.3	2.9	V
Ramp Peak Voltage	V_{RH}	-	2.6	2.8	3.0	V
Ramp Valley Voltage	V_{RL}	-	0.7	1.0	1.25	V
Ramp Valley to peak Voltage	ΔV_{RAMP}	-	1.6	1.8	2.0	V
ERROR AMPLIFIER SECTION						
Input Offset Voltage	V_{IO}	-	-	-	15	mV
Input Bias Current	I_{IB}	-	-	0.6	3	μA
Input Offset Current	I_{IO}	-	-	0.1	1	μA
Open Loop Gain	A_V	$V_{ERROR} = 1 \text{ to } 4\text{V}$	60	95	-	dB
CMRR	CMRR	$V_{CM} = 1.5 \text{ to } 5.5\text{V}$	75	95	-	dB
PSRR	PSRR	$V_{CC} = 10\text{V to }30\text{V}$	85	110	-	dB
Output Sink Current	I_{SINK}	$V_{ERROR} = 1\text{V}$	1	2.5	-	mA
Output Source Current	I_{SOURCE}	$V_{ERROR} = 4\text{V}$	-0.5	-1.3	-	mA
Output High Voltage	V_{OH}	$I_{ERROR} = -0.5\text{mA}$	4.0	4.7	5.0	V
Output Low Voltage	V_{OL}	$I_{ERROR} = 1\text{mA}$	0	0.5	1.0	V
Unity Gain Bandwidth	GBW	$A_{VOL} = 0\text{dB}$	3	5.5	-	MHz
Slew Rate	SR	$V_O = 2 \text{ to } 4\text{V}$	6	12	-	V/ μs

Characteristic	Symbol	Test Conditions	Min	Typ	Max	Unit
SOFT START SECTION						
S.S Charge Current	I_{CH}	$V_{S,S} = 0.5V$	3	9	20	μA
S.S Discharge Current	I_{DICH}	$V_{S,S} = 1.0V$	1	-	-	mA
CURRENT LIMIT/SHUTDOWN SECTION						
Input Bias Current	I_{LB}	$V_{S,D} = 0 \text{ to } 4V$	-	-	± 10	μA
Current Limit Threshold	V_{LIM}	-	0.9	1.0	1.1	V
Shutdown Threshold	V_{SD}	-	1.25	1.40	1.55	V
Delay to Drive Output	T_D	-	-	50	80	ns
OUTPUT SECTION						
Output Low Level 1	V_{OL1}	$I_{OUT} = 20mA$	-	0.25	0.4	V
Output Low Level 2	V_{OL2}	$I_{OUT} = 200mA$	-	1.2	2.2	V
Output High Level 1	V_{OH1}	$I_{OUT} = -20mA$	13.0	13.5	-	V
Output High Level 2	V_{OH2}	$I_{OUT} = -200mA$	12.0	13.0	-	V
V_C Standby Current	I_C	$V_C = 30V$	-	100	500	μA
Rise/Fall Time	T_F/T_R	$C_L = 1nF$	-	30	60	ns
UNDER-VOLTAGE LOCK SECTION						
Start Threshold	V_{STH}	$V_{ERROR} = 4V$	8.8	9.2	9.6	V
UVLO Hysteresis	V_{HYS}	$I_{ERROR} = -0.5mA$	0.4	0.8	1.2	V
Start Up Current	I_{ST}	$V_{CC} = 8V$	-	1.1	2.5	mA
Operating Current	I_{CC}	$V_{PIN1,7,9} = 0V, V_{PIN2} = 1V$	-	22	23	mA

16-DIP-300A

Dimensions in Millimeters/inches



SAMSUNG ELECTRONICS CO.,LTD.