

SPINDLE + ACTUATOR DRIVER

The KA3014 is a monolithic integrated circuit suitable for a 4-ch motor driver which drives the tracking actuator, focus actuator, sled motor, loading motor and 3-phase BLDC spindle motor of the MDP/CAR-MD/CAR-NAVIGATION system.

FEATURES

- Built-in power save circuit
- Built-in current limit circuit
- Built-in thermal shutdown circuit (TSD)
- Built-in hall bias
- Built-in FG signal output circuit
- Built-in rotational direction detecting circuit
- Built-in protection circuit for reverse rotation
- Built-in short brake circuit
- Built-in variable-regulator
- Built-in 4-CH balanced transformerless (BTL) driver
- Built-in BTL MUTE circuit (CH1/2, CH3 and CH4)

TARGET APPLICATION

- MDP
- CAR-MD
- CAR-NAVIGATION

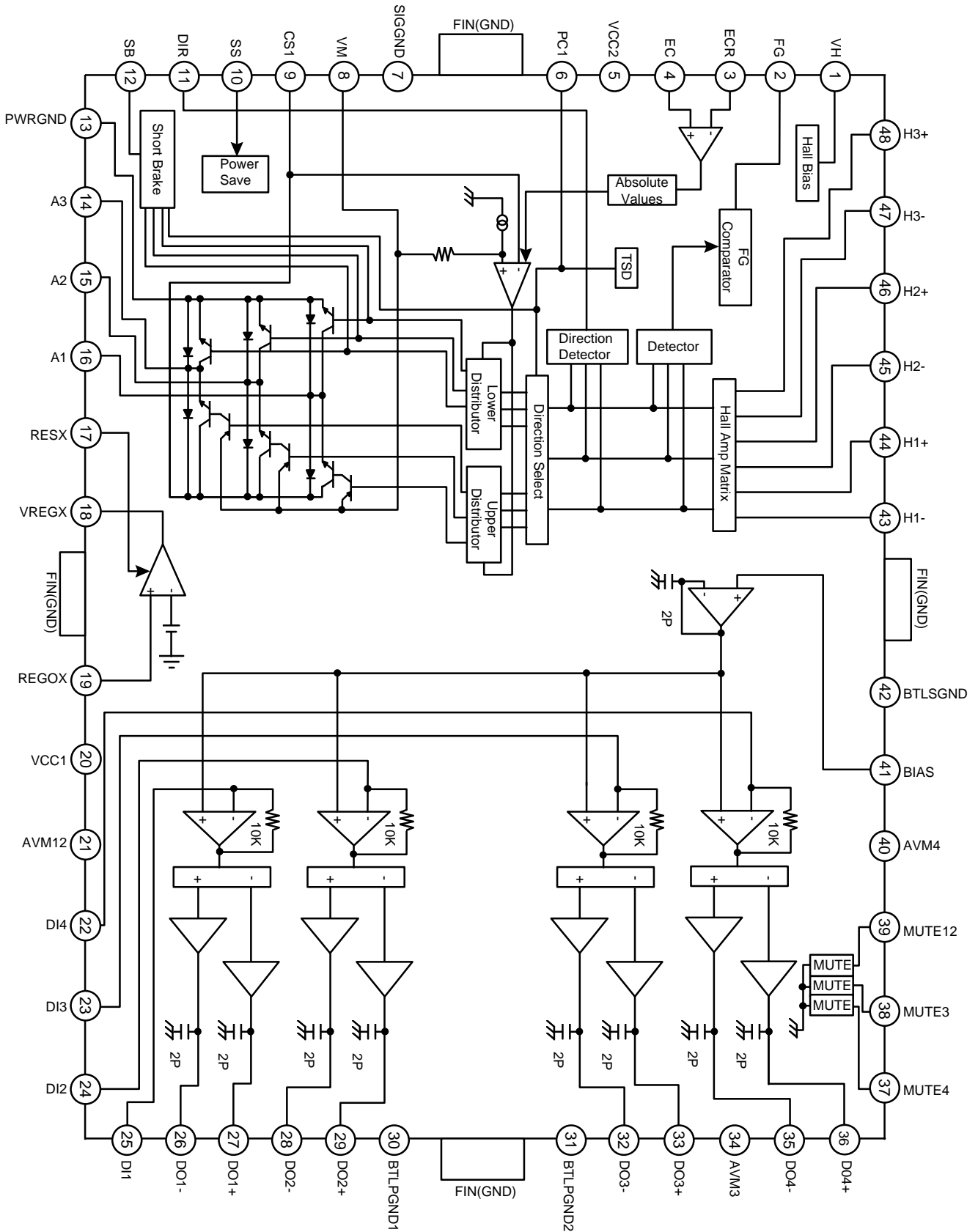
48-QFPH-1414



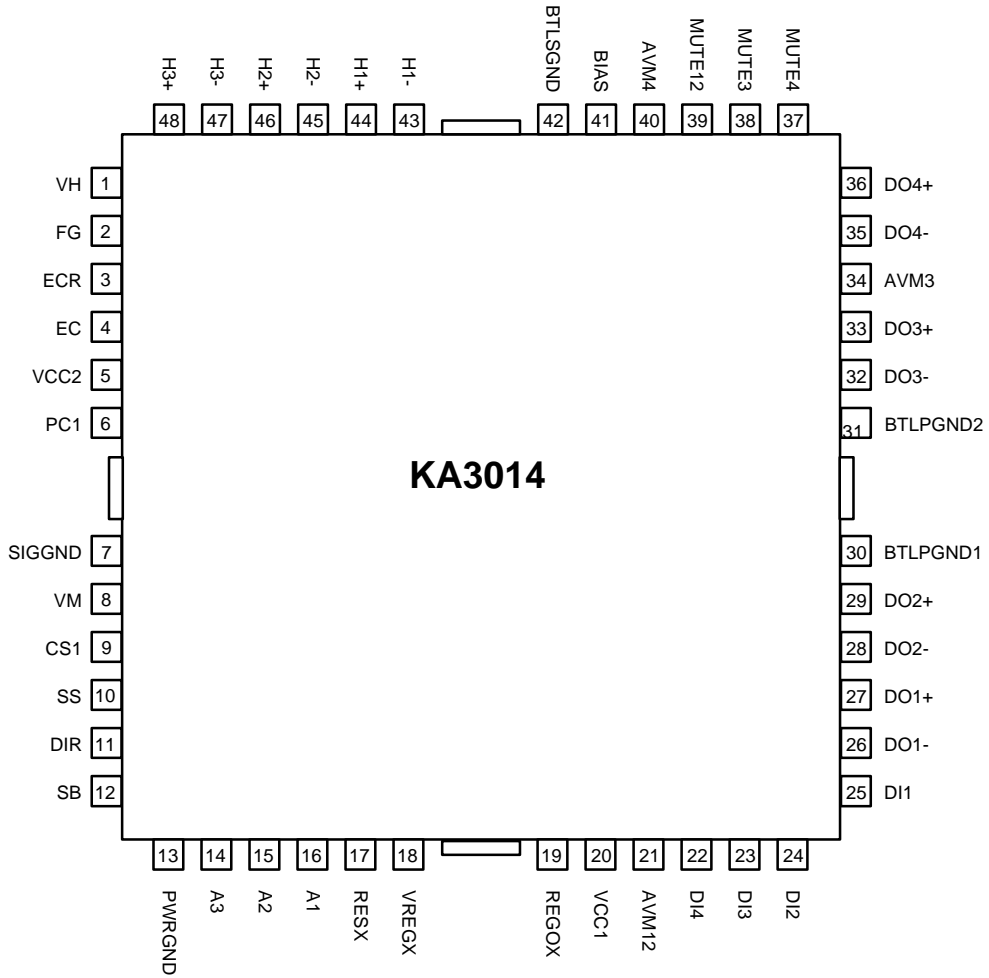
ORDERING INFORMATION

Device	Package	Operating Temperature
KA3014	48-QFPH-1414	-35°C ~ +85°C

BLOCK DIAGRAM



PIN CONFIGURATION



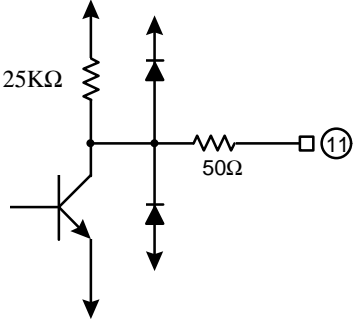
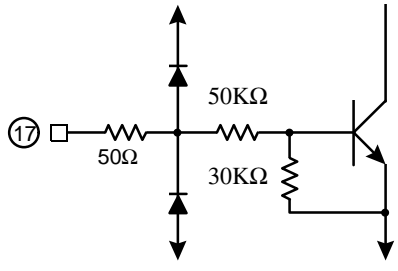
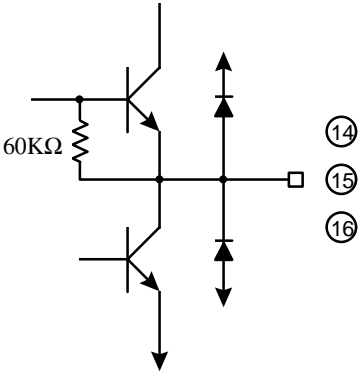
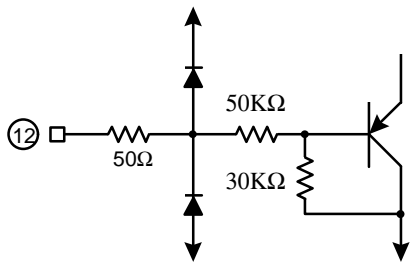
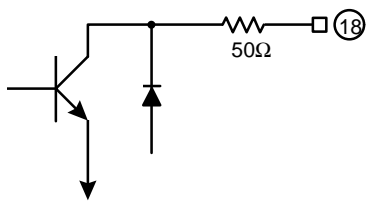
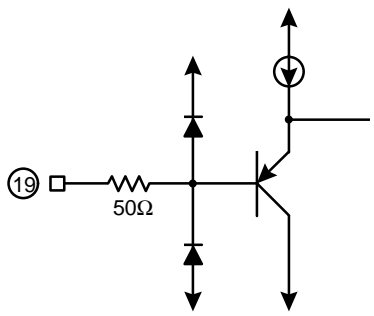
PIN DESCRIPTION

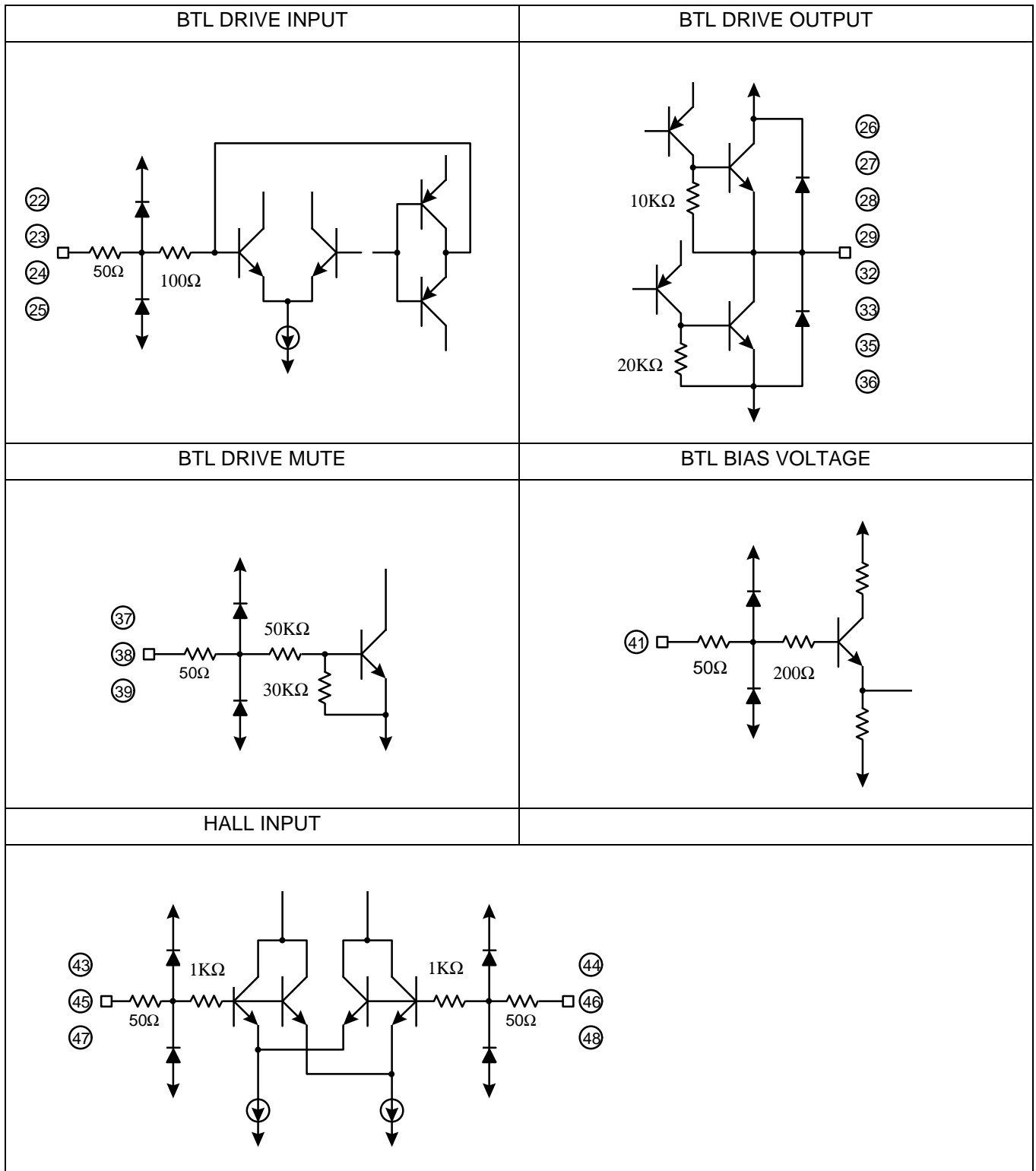
No.	Symbol	I/O	Description
1	VH	I	HALL BIAS
2	FG	O	FG SIGNAL OUTPUT
3	ECR	I	TORQUE CONTROL REFERENCE
4	EC	I	TORQUE CONTROL SIGNAL
5	VCC2	-	SUPPLY VOLTAGE
6	PC1	-	PHASE COMPENSATION CAPACITOR
7	SIGGND	-	SIGNAL GROUND
8	VM	-	MOTOR SUPPLY VOLTAGE
9	CS1	I	CURRENT SENSOR
10	S/S	I	START/STOP
11	DIR	O	3-PHASE ROTATIONAL DIRECTION OUTPUT
12	SB	I	SHORT BRAKE
13	PWRGND	-	POWER GROUND
14	A3	O	3-PHASE OUTPUT 3
15	A2	O	3-PHASE OUTPUT 2
16	A1	O	3-PHASE OUTPUT 1
17	RESX	I	VARIABLE REGULATOR RESET
18	VREGX	O	VARIABLE REGULATOR
19	REGOX	O	VARIABLE REGULATOR OUTPUT
20	VCC1	-	SUPPLY VOLTAGE
21	AVM12	-	BTL CH-1, 2 MOTOR SUPPLY VOLTAGE
22	DI4	I	BTL DRIVE INPUT 4
23	DI3	I	BTL DRIVE INPUT 3
24	DI2	I	BTL DRIVE INPUT 2
25	DI1	I	BTL DRIVE INPUT 1
26	DO1-	O	BTL DRIVE 1 OUTPUT (-)
27	DO1+	O	BTL DRIVE 1 OUTPUT (+)
28	DO2-	O	BTL DRIVE 2 OUTPUT (-)
29	DO2+	O	BTL DRIVE 2 OUTPUT (+)
30	BTLPGND1	-	BTL POWER GROUND 1
31	BTLPGND2	-	BTL POWER GROUND 2
32	DO3-	O	BTL DRIVE 3 OUTPUT (-)
33	DO3+	O	BTL DRIVE 3 OUTPUT (+)

No.	Symbol	I/O	Description
34	AVM3	-	BTL CH3 MOTOR SUPPLY VOLTAGE
35	DO4-	O	BTL DRIVE 4 OUTPUT (-)
36	DO4+	O	BTL DRIVE 4 OUTPUT (+)
37	MUTE4	I	BTL DRIVE MUTE CH 4
38	MUTE3	I	BTL DRIVE MUTE CH 3
39	MUTE12	I	BTL DRIVE MUTE CH 1, 2
40	AVM4	-	BTL CH 4 MOTOR SUPPLY VOLTAGE
41	BIAS	-	BTL BIAS VOLTAGE
42	BTLSGND	-	BTL DRIVE SIGNAL GROUND
43	H1-	I	HALL1(-) INPUT
44	H1+	I	HALL1(+) INPUT
45	H2-	I	HALL2(-) INPUT
46	H2+	I	HALL2(+) INPUT
47	H3-	I	HALL3(-) INPUT
48	H3+	I	HALL3(+) INPUT

EQUIVALENT CIRCUITS

HALL BIAS	FG SIGNAL OUTPUT
TORQUE CONTROL REFERENCE & SIGNAL	PHASE COMPENSATION CAPACITOR
CURRENT DETECTOR	START/STOP

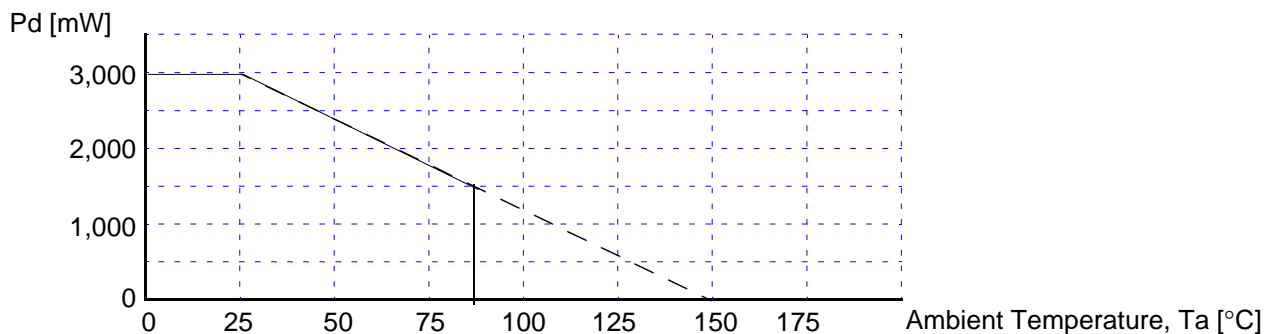
<p>3-PHASE ROTATE DIRECTION OUTPUT</p> 	<p>SHORT BRAKE</p> 
<p>3-PHASE OUTPUT</p> 	<p>VARIABLE REGULATOR RESET</p> 
<p>VARIABLE REGULATOR</p>	<p>VARIABLE REGULATOR OUTPUT</p>
	



ABSOLUTE MAXIMUM RATING

Characteristics	Symbol	Value	Unit
Supply Voltage (BTL SIGNAL)	V_{CC1max}	15	V
Supply Voltage (SPINDLE SIGNAL)	V_{CC2max}	7	V
Supply Voltage (SPINDLE MOTOR)	V_{Mmax}	15	V
Supply Voltage (BTL MOTOR)	$V_{MBTLmax}$	15	V
Power Dissipation	P_d	@3.0	W
Operating Temperature range	T_{opr}	-35 ~ +85	°C
Storage Temperature range	T_{stg}	-55 ~ +150	°C
Maximum Output Current (SPINDLE part)	I_{omaxs}	1.3	A
Maximum Output Current (BTL part)	I_{omaxb}	1	A

- @: 1. When mounted on 70mm × 70 mm × 1.6mm PCB (Phenolic resin material)
 2. Power dissipation is reduced 16 mW/°C for using above $T_a=25^{\circ}\text{C}$
 3. Do not exceed P_d and SOA.

**RECOMMENDED OPERATING CONDITIONS**

Characteristics	Symbol	Value			Unit
		Min.	Typ.	Max.	
Operating Supply Voltage (BTL SIGNAL)	V_{CC1}	4.5	–	13.2	V
Operating Supply Voltage (SPINDLE SIGNAL)	V_{CC2}	4.5	–	5.5	V
Operating Supply Voltage (SPINDLE MOTOR)	V_M	4.5	–	13.2	V
Operating Supply Voltage (BTL MOTOR)	V_{MBTL}	4.5	–	13.2	V

ELECTRICAL CHARACTERISTICS (SPINDLE, PART, $T_A=25^\circ\text{C}$, $V_{CC2}=5\text{V}$, $V_M=12\text{V}$)

Characteristic	Symbol	Test Condition	SPEC			Unit
			Min.	Typ.	Max.	
Circuit Current 1	I_{CC1}	Power Save=0V	–	0	0.1	mA
Circuit Current 2	I_{CC2}	Power Save=5V	–	8.0	–	mA
START/STOP						
On Voltage Range	V_{PSON}	L-H Circuit On	3.5	–	–	V
Off Voltage Range	V_{PSOFF}	H-L Circuit Off	–	–	1.0	V
HALL BIAS						
Hall Bias Voltage	V_{HB}	$I_{HB}=20\text{mA}$	–	1.2	1.8	V
HALL AMP						
Hall Bias Current	I_{HA}		–	1	5	μA
In-phase in Voltage Range	V_{HAR}		1.5	–	4.0	V
Minimum in Level	V_{INH}		60	–	–	mVpp
TORQUE CONTROL						
In Voltage Range	E_C		0.5	–	3.3	V
Offset Voltage (-)	E_{COFF-}	$E_{CR}=2.5\text{V}$	-80	-50	-20	mV
Offset Voltage (+)	E_{COFF+}	$E_{CR}=2.5\text{V}$	20	50	80	mV
In Current	E_{CIN}	$E_C=E_{CR}=2.5\text{V}$	-5	-1	–	μA
In/output Gain	G_{EC}	$E_{CR}=2.5\text{V}$, $R_{CS}=0.5\Omega$	0.41	0.51	0.61	A / V
FG						
FG Output Voltage (H)	V_{FGH}	$I_{FG}=-10\mu\text{A}$	3.0	–	V_{CC}	V
FG Output Voltage (L)	V_{FHL}	$I_{FG}=10\mu\text{A}$	–	–	0.5	V
Input Voltage Range	V_{FGR}	Hn+, Hn- input D-range	1.5	–	4.0	V
OUTPUT BLOCK						
Saturation Voltage (upper TR)	V_{OH}	$I_O=-300\text{mA}$	–	0.9	1.6	V
Saturation Voltage (lower TR)	V_{OL}	$I_O=300\text{mA}$	–	0.2	0.6	V
Torque Limit Current	I_{TL}	$R_{CS}=0.5\Omega$	560	700	840	mA
DIRECTION DETECTOR						
Dir Output Voltage (H)	V_{DIRH}	$I_{FG}=-10\mu\text{A}$	3.0	–	V_{CC}	V
Dir Output Voltage (L)	V_{DIRL}	$I_{FG}=10\mu\text{A}$	–	–	0.5	V
SHORT BRAKE						
On Voltage Range	V_{SBON}		3.5	–	V_{CC}	V
Off Voltage Range	V_{SBOFF}		0	–	1.0	V

ELECTRICAL CHARACTERISTICS (continued)BTL DRIVE PART ($T_a=25^\circ\text{C}$, $V_{CC1}=12\text{V}$, $V_{MBTL}=12\text{V}$, $R_L=24\Omega$)

Quiescent Circuit Current	I_{CC}		–	9	12	mA
Output Offset Voltage	V_{OO}		-30	–	30	mV
Maximum Output Amplitude Voltage	V_{OM}		9.5	10.5	–	V
Voltage Gain	G_{VC}	$V_{IN}=0.1\text{Vrms}$, 1kHz	10.5	12.0	13.5	dB
Ripple Rejection Ratio	RR	$V_{IN}=0.1\text{Vrms}$, 120kHz	–	60	–	dB
Slew Rate	SR	120Hz, 2Vpp	–	1.0	–	V/us
CH Mute Off Voltage	V_{MOFFCH}	pin37, 38, 39 = Variation	–	–	1.0	V
CH Mute On Voltage	V_{MONCH}	pin37, 38, 39 = Variation	3.5	–	–	V
VARIABLE-REGULATOR						
Regulator Output Range	ΔV_{REG}	$I_L=100\text{mA}$	2.0	–	5.25	V
Load Regulation	ΔV_{R1}	$I_L=0 \rightarrow 200\text{mA}$	-40	0	10	mV
Line Regulation	ΔV_{CC}	$I_L=200\text{mA}$, $V_{CC}=6\text{V} \rightarrow 9\text{V}$	-20	0	30	mV
Regulator Output Voltage 1	V_{REG1}	$I_L=100\text{mA}$	4.75	5.0	5.25	V
Regulator Output Voltage 2	V_{REG2}	$I_L=100\text{mA}$	3.135	3.3	3.465	V

1. MUTE FUNCTION

1) Mute Control Voltage Condition

When using the mute function, the applied control voltage condition is as follows.

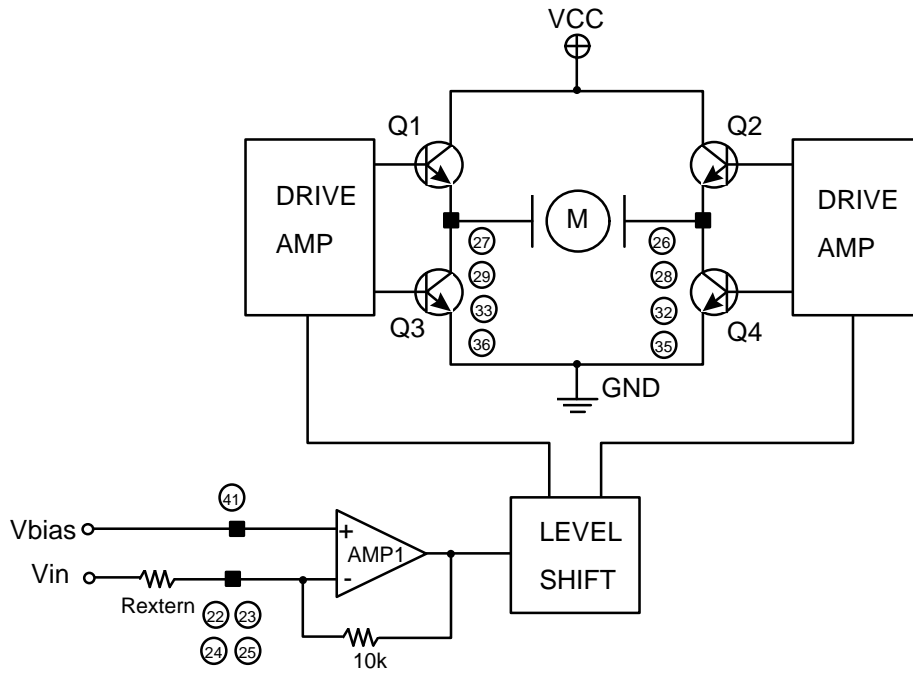
MUTE ON Voltage	3.5[V] above	Mute function operation
MUTE OFF Voltage	OPEN or 1.0[V] below	Normal operation

2) Separated Channel Mute Function

These pins are used for individual channel mute operation.

- When the mute pins (pin 37, 38 and 39) are OPEN or the voltage of the mute pins are below 0[V], the mute circuit is stopped and BTL output circuits operate normally.
- When the mute pins (pin 37, 38 and 39) are above 3.5[V], the mute circuits are activated so that the BTL output circuits will be muted.
- If the junction temperature rises above 175°C , then the thermal shutdown (TSD) circuit is activated and all the output circuits (4-CH BTL Drivers and 3-phase BLDC Driver) are muted.

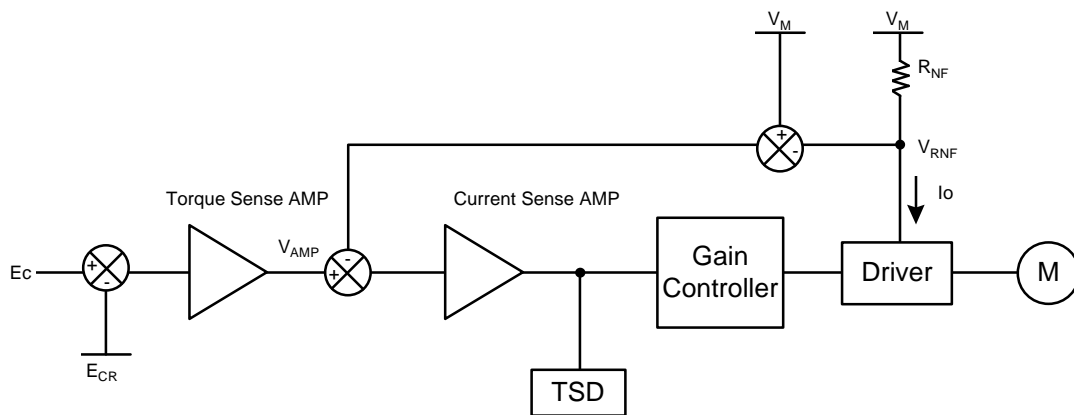
2. 4-CH BALANCED TRANSFORMERLESS (BTL) DRIVER



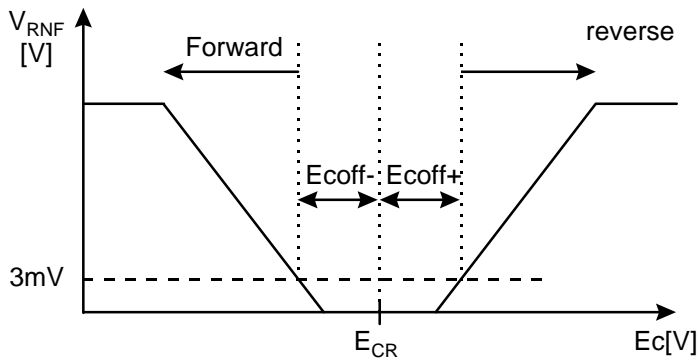
- The voltage, V_{bias} , is the reference voltage given by the external bias voltage of pin 41.
- The input signals, V_{in} , through the pins (pin 22, 23, 24 and 25) are amplified $10K/R_{extern}$ times and then fed to the level shift.
- The level shift produces the current due to the difference between the input signal (V_{in}) and the arbitrary reference voltage (V_{bias}). The current produced as $+\Delta I$ and $-\Delta I$ are fed into the drive buffers.
- The drive buffer operates the power TR of the output stage according to the state of the input signal (V_{in}).
- The output stage is the BTL driver, and the motor (or actuator) is rotating in forward direction by operating TR Q1 and TR Q4. On the other hand, if TR Q2 and TR Q3 are operating, the motor (or actuator) is rotating in reverse direction.
- When the input signal V_{in} , through the pin (pin 22, 23, 24 and 25) is below the V_{bias} , then the motor (actuator) is in forward direction.
- When the input signal V_{in} , through the pin (pin 22, 23, 24 and 25) is above the V_{bias} , then the motor (actuator) is in reverse direction.
- If you want to change the gain, then modify the external resistor's value (R_{extern})

3. TORQUE & OUTPUT CURRENT CONTROL

Torque Control & Output Current Control



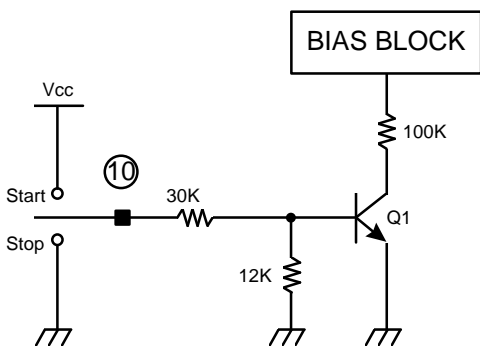
- By amplifying the voltage difference between E_C and E_{CR} from the Servo IC, the torque sense AMP produces the input (V_{AMP}) for the current sense AMP.
- The current sense AMP produces the input for the Gain controller to allow the output current (I_O) of the driver to be controlled by the input voltage (V_{AMP}), where the output current (I_O) is detected by the sense resistor (R_{NF}) and is converted into V_{RNF} .
- In the end, the signals of the Servo IC control the velocity of the motor by controlling the output current (I_O) of the driver.
- When the junction temperature rises up to about 175°C , then the output drive circuit will be shut down.
- The range of the torque control input voltage is as shown below.



	Rotation
$E_C < E_{CR}$	Forward rotation
$E_C > E_{CR}$	Stop after detecting reverse rotation

The input range (E_C) of the Torque Sense AMP is 0.5V ~ 3.3V

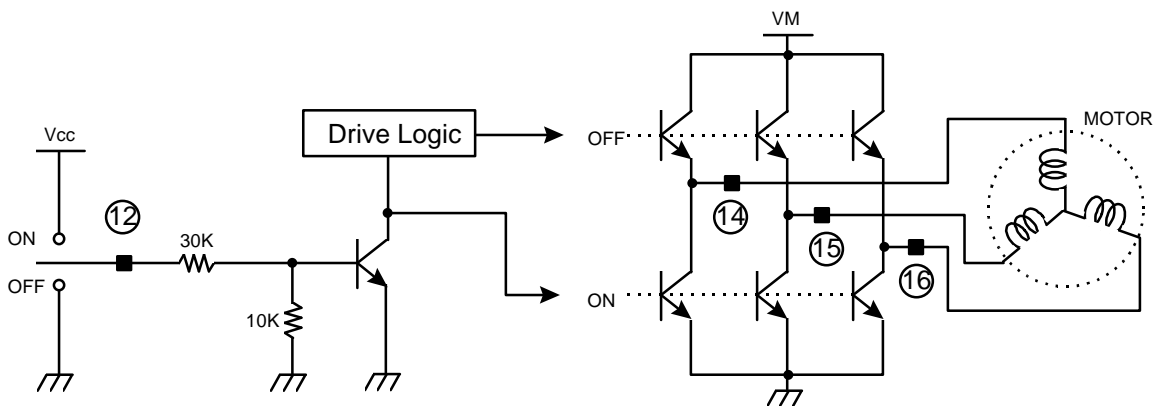
4. POWER SAVE FUNCTION



- This function block operates the power saving function.
- The power save circuit is activated by operating TR Q1.
- When the SS (Start/Stop) pin 10 is high (V_{CC}), the TR Q1 is turned on so that the bias circuit is enabled. On the other hand, when the SS (Start/Stop) pin 10 is Open or Low (GND), the TR Q1 is turned off so that the bias circuit is disabled.
- The power save operation controlled by SS (pin 10) input conditions is as follows;

Pin#10	KA3014
HIGH	START
OPEN/LOW	STOP

5. SHORT BRAKE FUNCTION



When the pick-up part moves from the inner to the outer spindle of the MD, the brake function of the reverse voltage is commonly employed to rate the rotational velocity of the spindle motor.

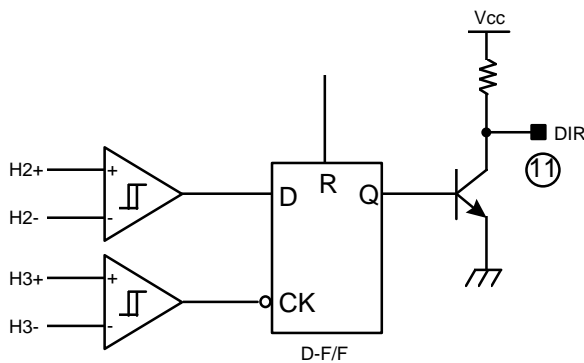
Pin#12	SHORT BRAKE
HIGH	ON
LOW	OFF

However, if the spindle motor rotates rapidly, the brake function of the reverse voltage may produce too much heat at the drive IC. To remove these shortcomings and to enhance efficiency, the short brake function is added to KA3014. When the short brake function is active, all upper Power transistors are turned off and the lower Power transistors turned on, so as to reduce the rotational velocity of the motor. The short brake operation controlled by SB (pin 12) inputs conditions shown to the left.

6. THERMAL SHUTDOWN (TSD) FUNCTION

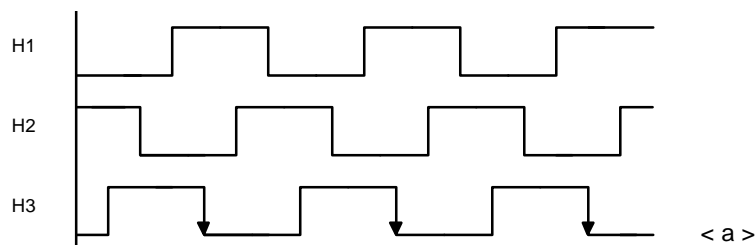
When the junction temperature rises up to about 175°C, then the output drive circuit is shut down, when the junction temperature falls off to about 160°C, the output drive circuit will be normally operated. It has the temperature hysteresis of about 15°C.

7. ROTATIONAL DIRECTION DETECTION FUNCTION

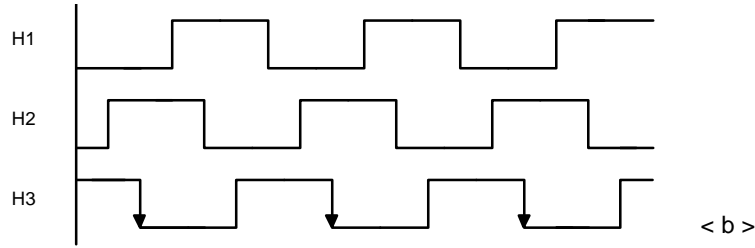


	Rotation	⑪ DIR
$E_C < E_{CR}$	Forward	Low
$E_C > E_{CR}$	Reverse	High

- The forward and reverse rotations of the MD are detected by the circuit, as shown in the above Table.
- The rotational direction of the MD can be learned by the output waveforms of the hall sensor and/or the driver. Let the three hall sensors be H1, H2 and H3 respectively. If the hall sensors turn on in the order, H1→H2→H3, of the reverse rotation, the output waveforms of the hall sensors will be as shown below.

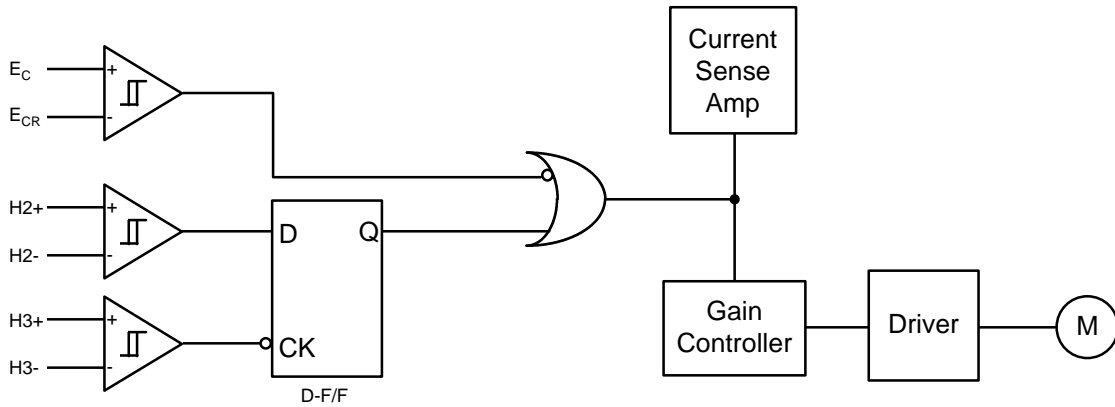


Inversely, if the hall sensors turn on in the order, H3 → H2 → H1, of the forward rotation, the output waveforms of the hall sensors will be as shown next page.



In the cases above, the value of H2 at the falling edges of H3 is Low in figure <a>, while High in figure . The rotational direction detector takes advantage of this phenomenon.

8. REVERSE ROTATION PREVENT FUNCTION

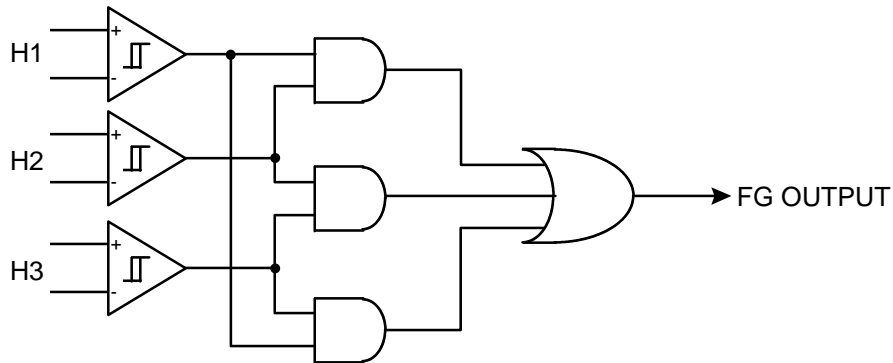


- The forward and reverse rotation of the motor are detected, as shown in the table below, by the circuit shown above. Consequently at reverse rotation, the D-F/F output Q becomes Low and cuts off the output current sense Amp, resulting in the stoppage of the Gain controller function.
- When the MD is rotating in forward direction, $E_C > E_{CR}$ is sometimes controlled to retard and/or stop the MD. As the controlling time of $E_C > E_{CR}$ gets longer, MD slows down, stops, and then rotates in the reverse direction. To prevent the MD from rotating in the reverse direction, a reverse rotation resistant function is required. Its operational principles are discussed below.

Rotation	H2	H3	D-F/F	Reverse Rotation Preventer	
				$E_C < E_{CR}$	$E_C > E_{CR}$
Forward	H	H → L	H	Forward	Brake Stop
Reverse	L	H → L	L	-	Brake and Stop

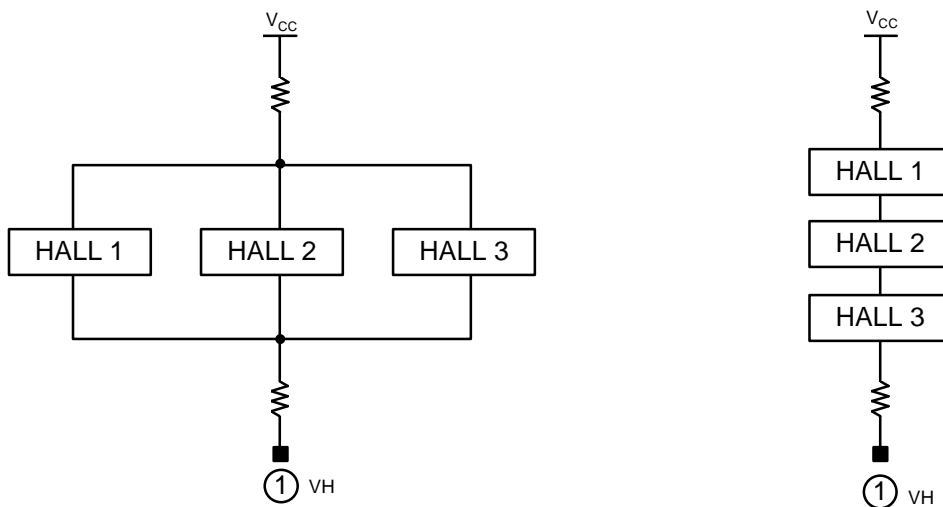
9. FG OUTPUT FUNCTION

The FG output, which detects the number of rotations of the MD, is generated by combination zero-crossing the output waveforms of the hall sensors. The FG output circuit is as shown below.



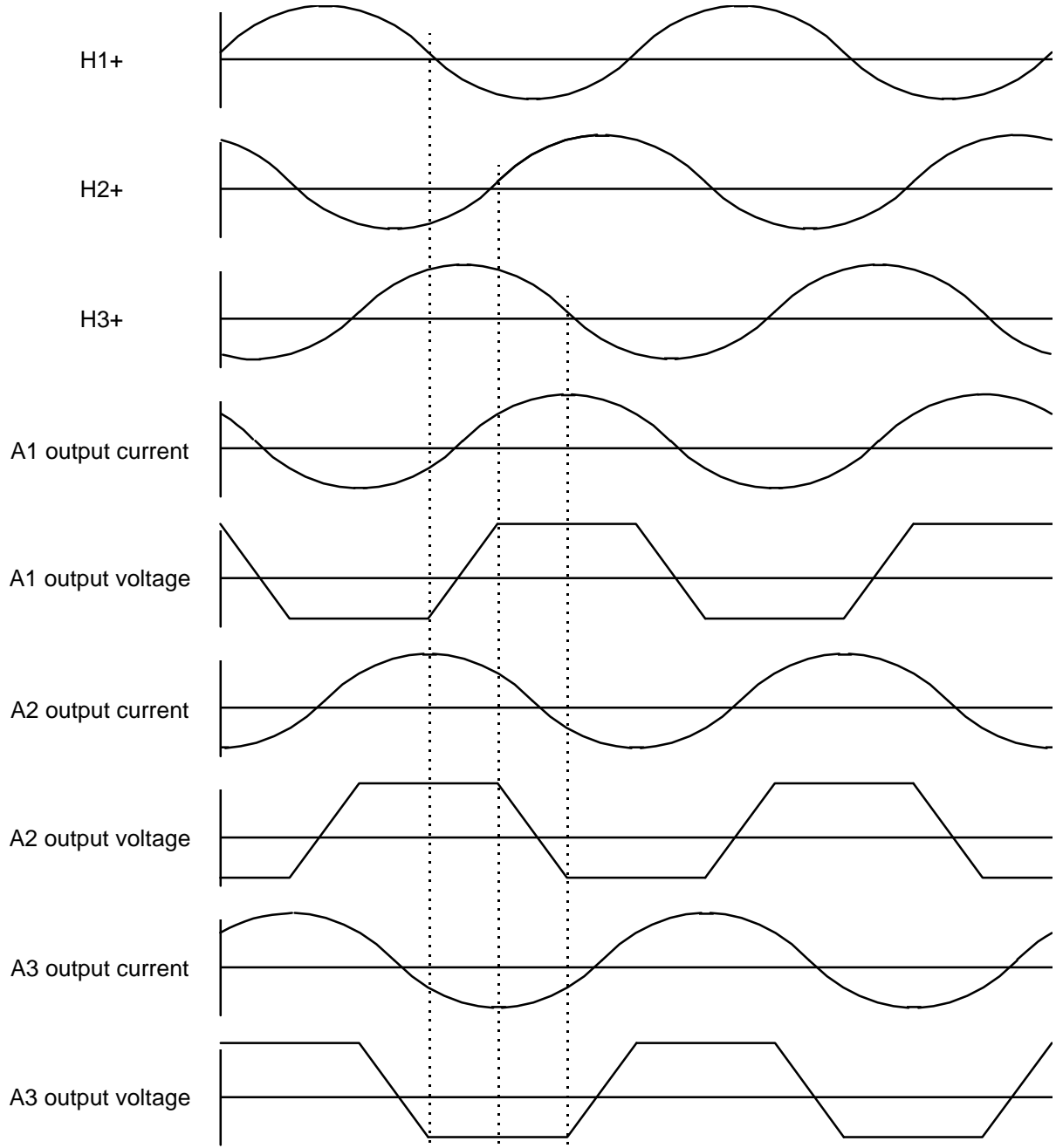
10. HALL SENSOR CONNECTION

External Hall sensors are used in series or parallel connection as shown below.



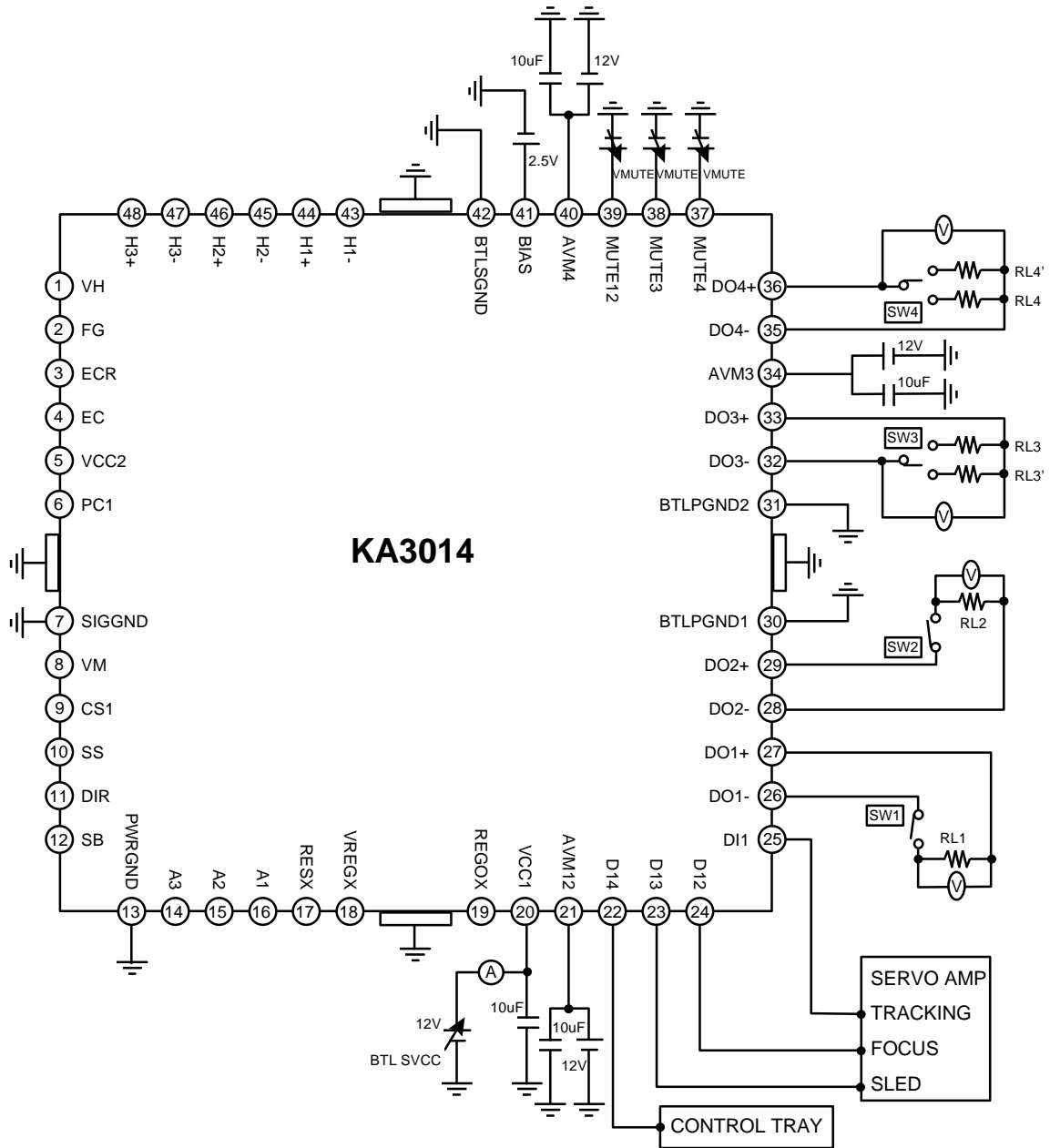
11. HALL INPUT OUTPUT TIMING CHART

The 3-phase hall signal is amplified in the hall amplifiers and sent to the matrix section, where the signal is further amplified and combined. After the signal is converted to a current in the amplitude control circuit, the current is supplied to the output driver, which then provides a motor drive current. The phases of the hall input signal, output voltage, and output current are shown below.



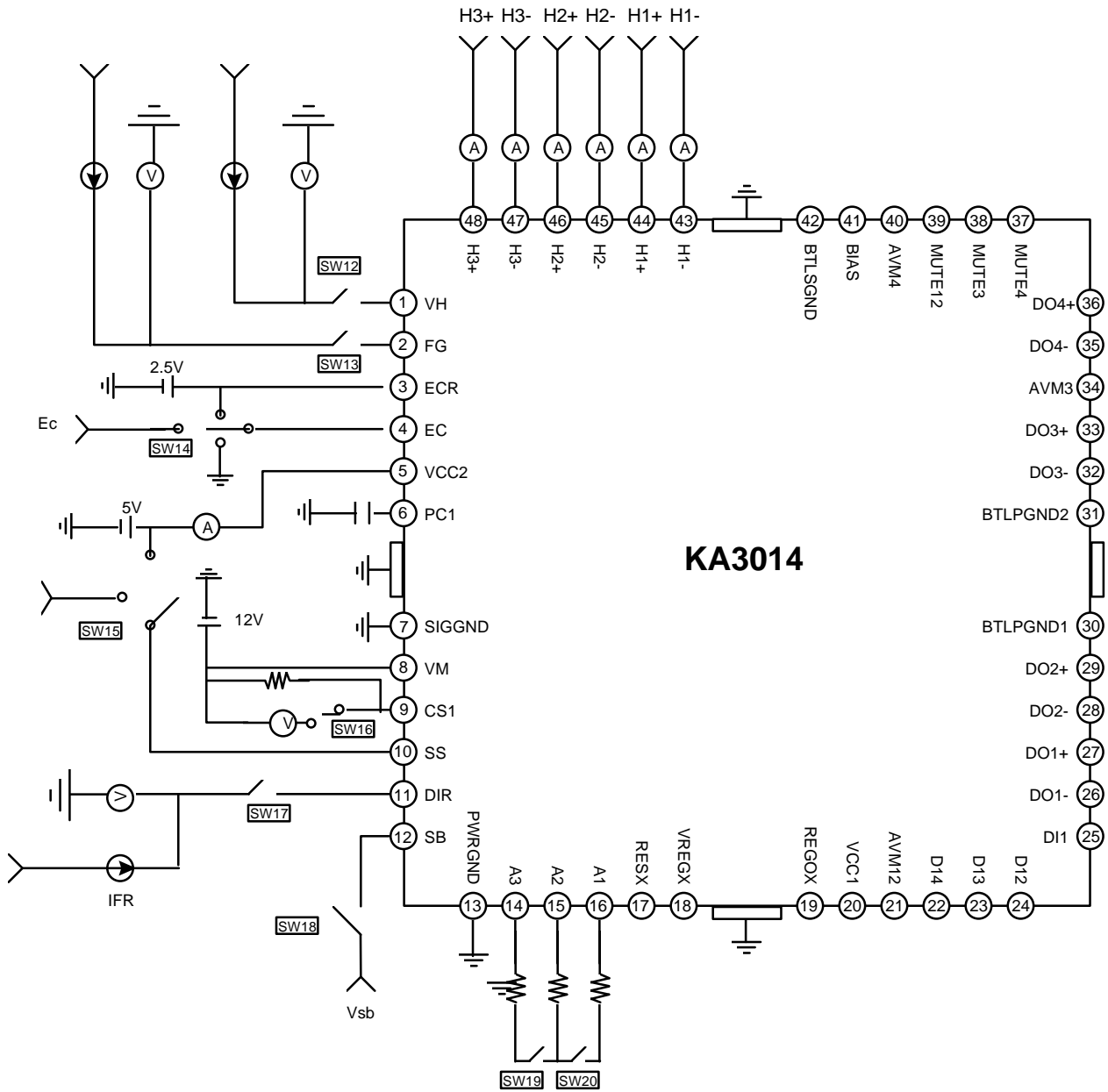
TEST CIRCUIT 1

BTL DRIVE PART



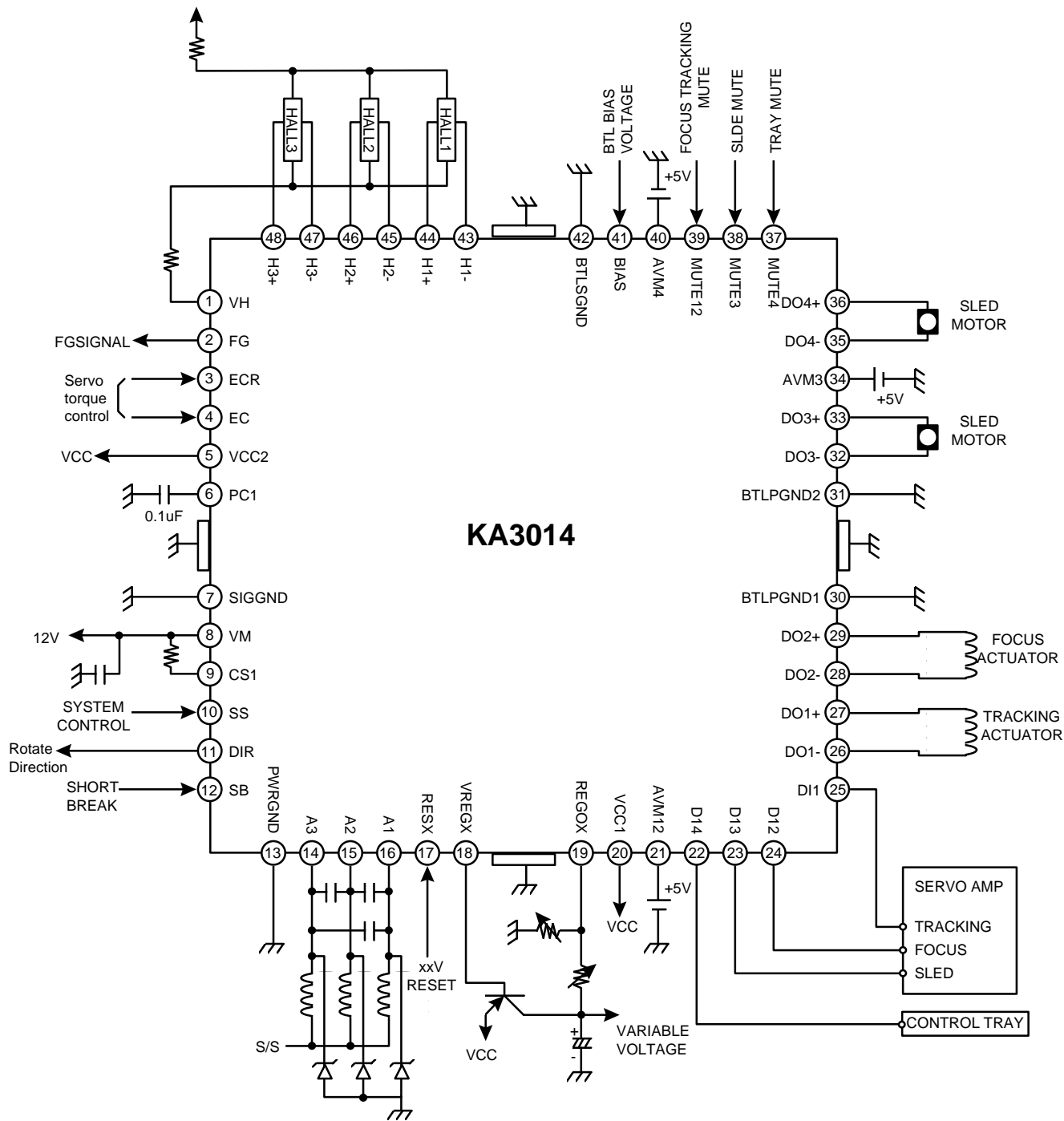
TEST CIRCUIT 2

SPINDEL MOTOR DRIVE PART



KA3014

APPLICATION CIRCUIT



KA3014

PACKAGE DIMENSION

