

KA22130

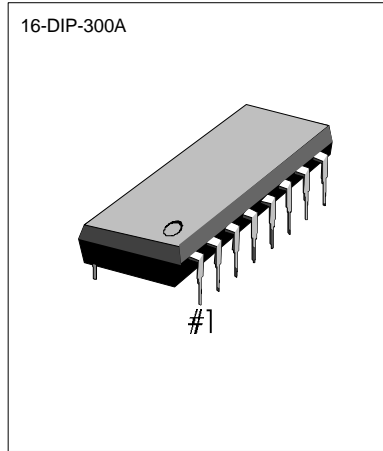
1 CHIP TAPE RECORDER

INTRODUCTION

The KA22130 is a monolithic integrated circuit consisting of preamplifier ALC circuit, power amplifier in 16 pin plastic dual in line package.

FEATURES

- Suitable for play and recording mono cassette tape recorder.
- Wide operating supply voltage range: $V_{CC} = 4V \sim 12V$
- High gain preamplifier and power amplifier.
- Output power of power amplifier state
 $P_o = 1W$ at $V_{CC} = 6V$, $R_L = 4\Omega$, THD = 10%.
- Soft tone quality at the time of output saturation.
- Wide ALC range and small variation in output voltage.
- Small shock noise at the time of power on/off due to built-in prevention circuit.
- Variable monitor capability due to recording amplifier consisting of preamplifier alone.
- Minimum number of external parts required.



ORDERING INFORMATION

Device	Package	Operating Temperature
KA22130	16-DIP-300A	-20°C~ +70°C

BLOCK DIAGRAM

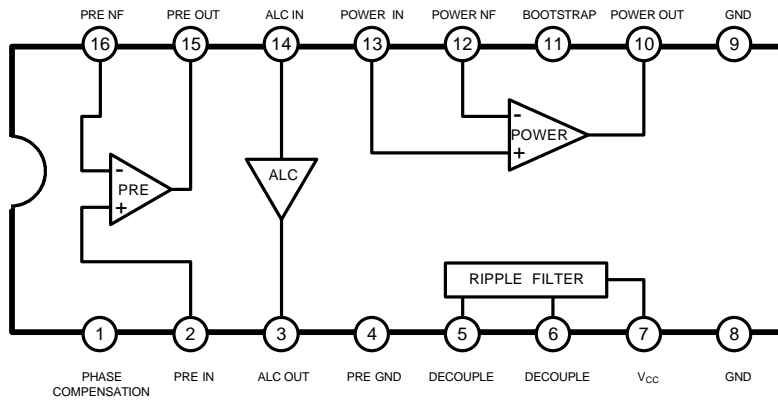


Fig. 1.

KA22130

1 CHIP TAPE RECORDER

ABSOLUTE MAXIMUM RATINGS

Characteristic	Symbol	Value	Unit
Supply Voltage	V_{CC}	13	V
Power Dissipation	P_D	1.5	W
Operating Temperature Storage	T_{OPR}	-20 ~ +70	°C
Temperature	T_{STG}	-40 ~ +150	°C

ELECTRICAL CHARACTERISTIC

($T_a = 25^\circ\text{C}$, $V_{CC} = 6\text{V}$, $f = 1\text{KHz}$, unless otherwise specified)

Characteristic	Symbol	Test Conditions	Min	Typ	Max	Unit
Quiescent Circuit Current	I_{CCQ}	$V_{CC} = 6\text{V}$, $V_i = 0$		18	30	mA
		$V_{CC} = 9\text{V}$, $V_i = 0$		23	40	mA
Pre Amplifier						
Open Loop Voltage Gain	G_{VO}	Open loop		85		dB
Closed Loop Voltage Gain	G_{VC}	Closed loop, Play		40		dB
Output Voltage	V_O	THD = 1%, Play	0.9	1.2		V
Input Resistance	R_I		21	30		K Ω
Equivalent Input Noise Voltage	V_{NI}	Play		1.0	2.0	μV
ALC Input Level	$V_{I(ALC)}$	THD = 1%, Rec	-20	-12		dBm
Power Amplifier						
Closed Loop Voltage Gain	G_{VC}	$R_F=51\Omega$	43	45	47	dB
Output Power	P_O	$V_{CC} = 6\text{V}$, $R_L = 4\Omega$, THD = 10%	0.7	1.0		W
		$V_{CC} = 7.5\text{V}$, $R_L = 4\Omega$ THD = 10%	1.0	1.5		W
		$V_{CC} = 9\text{V}$, $R_L=4\Omega$, THD=10%	1.7	2.2		W
Total Harmonic Distortion	THD	$P_O = 250\text{mW}$		0.3	1.5	%
Input Resistance	RI			30		K Ω
Output Noise Voltage	V_{NO}	$R_G = 10\text{K}\Omega$		0.6	1.8	mV
Ripple Rejection Ratio	RR	$R_G=0\Omega$, $V_R=150\text{mV}$, $f = 100\text{Hz}$	40	45		dB

KA22130

1 CHIP TAPE RECORDER

TEST CIRCUIT

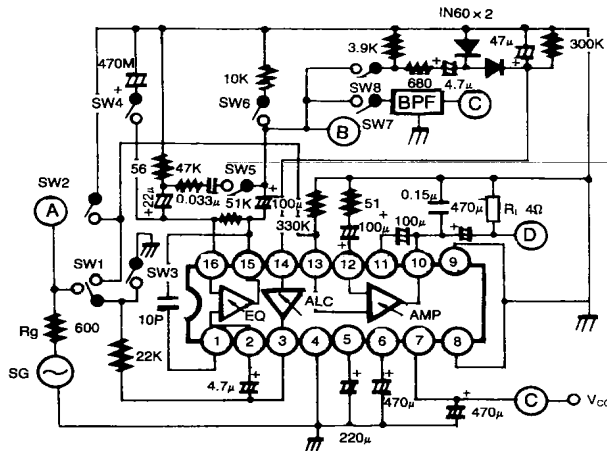


Fig. 2

TEST METHOD

	Characteristic	SW1	SW2	SW3	SW4	SW5	SW6	SW7	SW8	Test Point	Test Method
Power Amplifier	I_{CCQ}		on	on	off	on	on	off	off		Test Circuit current
	G_{VC}	2	off	off	off	on	on	off	off	A.D.	$G_{VC} = 20 \log V_O/V_I (\text{dB})$
	P_O	2	off	off	off	on	on	off	off	D	Test output voltage at THD = 10%
	THD	2	off	off	off	on	on	off	off	D	Test THD at output voltage $V_O = 1V$
	V_{NO}		on	off	off	on	on	off	off	D	Test output noise voltage
Pre Amplifier	RR		on	off	off	on	on	off	off	D	$RR = 20 \log V_{RO}/150 (\text{dB})$ Test output ripple voltage (V_{RO})
	G_{VO}	1	off	off	on	off	on	off	off	A.B	$A_{VO} = 20 \log V_O/V_I (\text{dB})$
	V_O	1	off	off	off	on	on	off	off	B	Test output voltage at THD = 1%
	V_{NI}		off	on	off	on	on	on	off	C	Convert output noise voltage at $R_G = 2.2K\Omega$, $V_{NI} = V_{NO}/G_V$
	$V_{I(ALC)}$	1	off	off	off	off	off	on	A.B	Test input voltage at THD = 1%	

KA22130

1 CHIP TAPE RECORDER

APPLICATION CIRCUIT

1. Mono cassette tape recorder

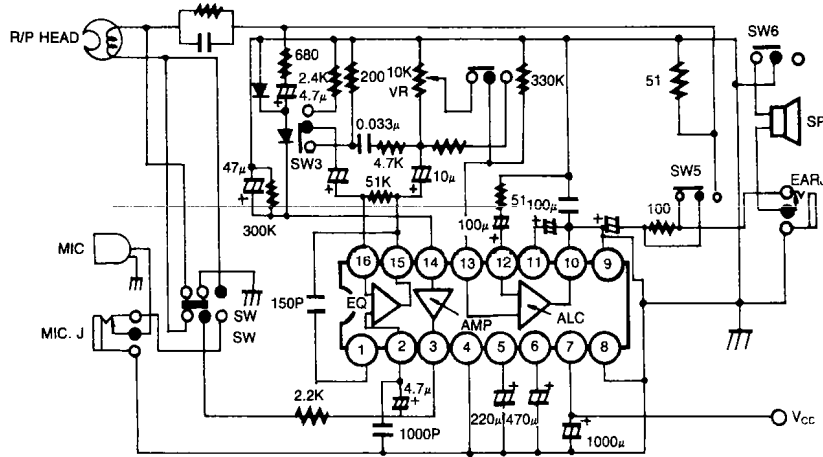


Fig. 3

2. Radio cassette tape recorder

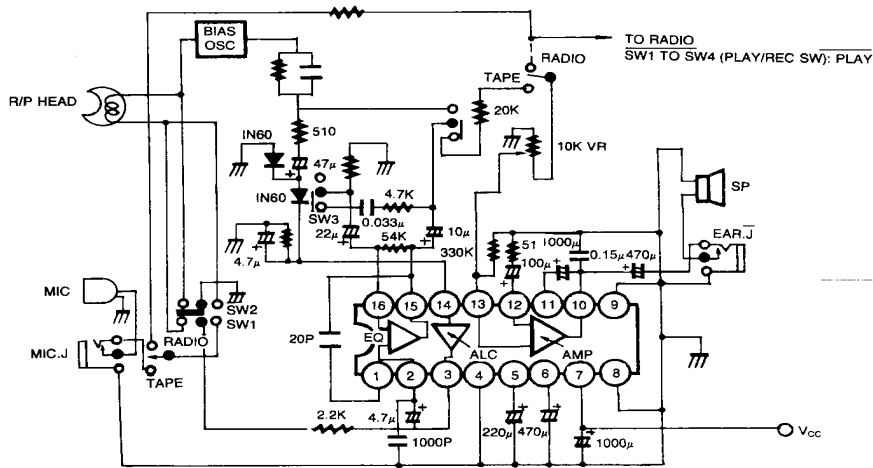
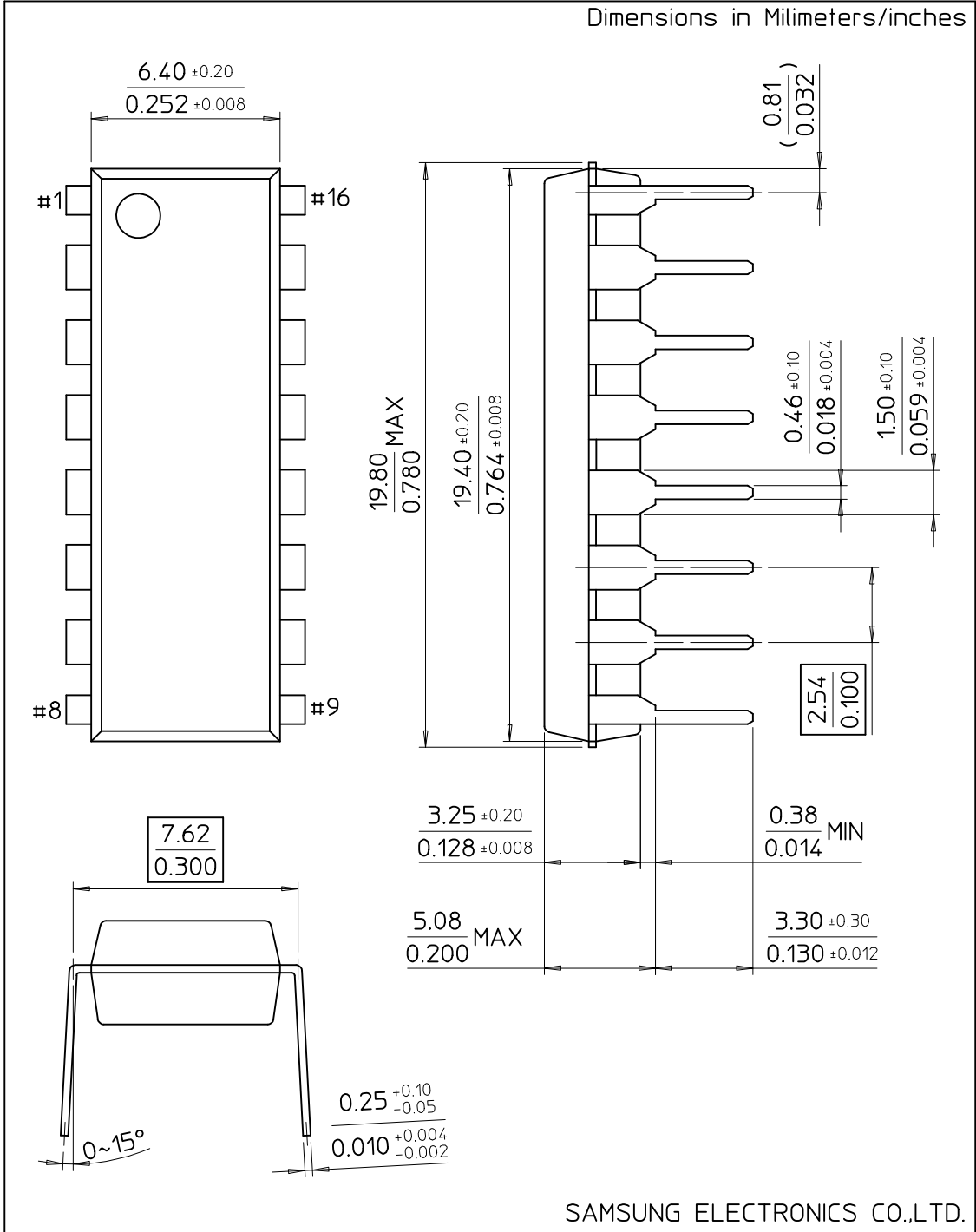


Fig. 4

16-DIP-300A

Dimensions in Millimeters/inches



SAMSUNG ELECTRONICS CO.,LTD.