

## FST16233 16-Bit to 32-Bit Multiplexer/Demultiplexer Bus Switch

### General Description

The Fairchild Switch FST16233 is a 16-bit to 32-bit high-speed CMOS TTL-compatible multiplexer/demultiplexer bus switch. The low on resistance of the switch allows inputs to be connected to outputs without adding propagation delay or generating additional ground bounce noise.

The device can be used in applications where two buses need to be addressed simultaneously. The FST16233 can be used as two 8-bit to 16-bit multiplexers or as one 16-bit to 32-bit multiplexer.

Two select ( $S_1, S_0$ ) and two test ( $TEST_0, TEST_1$ ) inputs provide switch enable and multiplexer select control.

The FST16233 is designed to prevent through-current when switching buses.

### Features

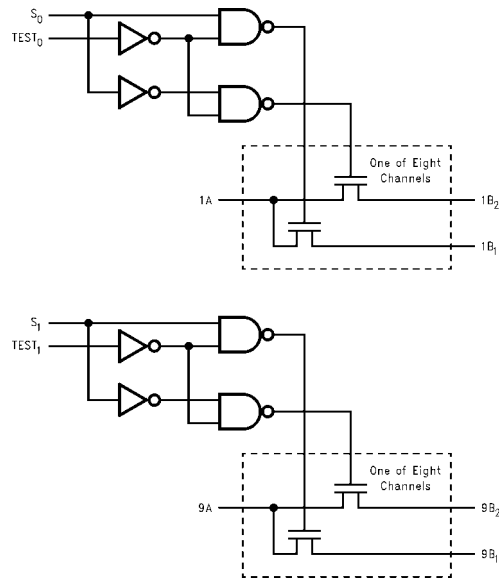
- $4\Omega$  switch connection between two ports.
- Minimal propagation delay through the switch.
- Low  $I_{CC}$ .
- Zero bounce in flow-through mode.
- Control inputs compatible with TTL level.

### Ordering Code:

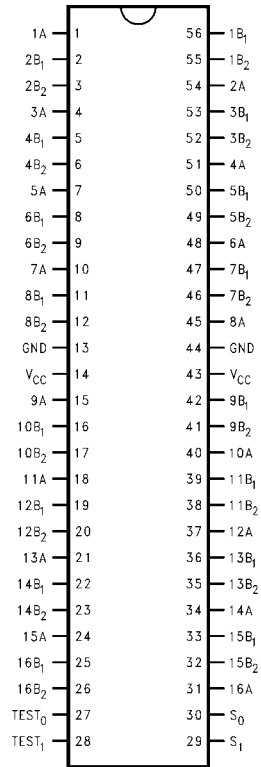
| Order Number | Package Number | Package Description   |
|--------------|----------------|---|
| FST16233MEA  | MS56A          | 56-Lead Shrink Small Outline Package (SSOP), JEDEC MO-118, 0.300 Wide       |
| FST16233MTD  | MTD56          | 56-Lead Thin Shrink Small Outline Package (TSSOP), JEDEC MO-153, 6.1mm Wide |

Devices also available in Tape and Reel. Specify by appending the suffix letter "X" to the ordering code.

### Logic Diagram



### Connection Diagram



### Pin Descriptions

| Pin Name                              | Description   |
|---------------------------------------|---------------|
| S <sub>0</sub> , S <sub>1</sub>       | Select Inputs |
| TEST <sub>0</sub> , TEST <sub>1</sub> | Test Inputs   |
| A                                     | Bus A         |
| B <sub>1</sub> , B <sub>2</sub>       | Bus B         |

### Truth Table

| Inputs |      | Function                                  |
|--------|------|---|
| S      | TEST |   |
| L      | L    | A = B <sub>1</sub>                        |
| H      | L    | A = B <sub>2</sub>                        |
| X      | H    | A = B <sub>1</sub> and A = B <sub>2</sub> |

**Absolute Maximum Ratings** (Note 1)

|   |                  |
|---|------------------|
| Supply Voltage ( $V_{CC}$ )                       | -0.5V to +7.0V   |
| DC Switch Voltage ( $V_S$ )                       | -0.5V to +7.0V   |
| DC Input Voltage ( $V_{IN}$ ) (Note 2)            | -0.5V to +7.0V   |
| DC Input Diode Current ( $I_{IK}$ ) $V_{IN} < 0V$ | -50mA            |
| DC Output ( $I_{OUT}$ ) Sink Current              | 128mA            |
| DC $V_{CC}/GND$ Current ( $I_{CC}/I_{GND}$ )      | +/- 100mA        |
| Storage Temperature Range ( $T_{STG}$ )           | -65°C to +150 °C |

**Recommended Operating Conditions** (Note 3)

|  |                  |
|--|------------------|
| Power Supply Operating ( $V_{CC}$ )      | 4.0V to 5.5V     |
| Input Voltage ( $V_{IN}$ )               | 0V to 5.5V       |
| Output Voltage ( $V_{OUT}$ )             | 0V to 5.5V       |
| Input Rise and Fall Time ( $t_r, t_f$ )  |                  |
| Switch Control Input                     | 0nS/V to 5nS/V   |
| Switch I/O                               | 0nS/V to DC      |
| Free Air Operating Temperature ( $T_A$ ) | -40 °C to +85 °C |

**Note 1:** The "Absolute Maximum Ratings" are those values beyond which the safety of the device cannot be guaranteed. The device should not be operated at these limits. The parametric values defined in the Electrical Characteristics tables are not guaranteed at the absolute maximum rating. The "Recommended Operating Conditions" table will define the conditions for actual device operation.

**Note 2:** The input and output negative voltage ratings may be exceeded if the input and output diode current ratings are observed.

**Note 3:** Unused control inputs must be held HIGH or LOW. They may not float.

**DC Electrical Characteristics**

| Symbol          | Parameter                        | $V_{CC}$<br>(V) | $T_A = -40\text{ °C to }+85\text{ °C}$ |                 |           | Units    | Conditions   |
|-----------------|----------------------------------|-----------------|--|-----------------|-----------|----------|--|
|                 |                                  |                 | Min                                    | Typ<br>(Note 4) | Max       |          |  |
| $V_{IK}$        | Clamp Diode Voltage              | 4.5             |  |                 | -1.2      | V        | $I_{IN} = -18mA$                                     |
| $V_{IH}$        | HIGH Level Input Voltage         | 4.0-5.5         | 2.0                                    |                 |           | V        |  |
| $V_{IL}$        | LOW Level Input Voltage          | 4.0-5.5         |  |                 | 0.8       | V        |  |
| $I_I$           | Input Leakage Current            | 5.5             |  |                 | $\pm 1.0$ | $\mu A$  | $0 \leq V_{IN} \leq 5.5V$                            |
|                 |                                  | 0               |  |                 | 10        | $\mu A$  | $V_{IN} = 5.5V$                                      |
| $I_{OFF}$       | OFF-STATE Leakage Current        | 5.5             |  |                 | $\pm 1.0$ | $\mu A$  | $0 \leq A, B \leq V_{CC}$                            |
| $R_{ON}$        | Switch On Resistance<br>(Note 5) | 4.5             |  | 4               | 7         | $\Omega$ | $V_{IN} = 0V, I_{IN} = 64mA$                         |
|                 |                                  | 4.5             |  | 4               | 7         | $\Omega$ | $V_{IN} = 0V, I_{IN} = 30mA$                         |
|                 |                                  | 4.5             |  | 8               | 12        | $\Omega$ | $V_{IN} = 2.4V, I_{IN} = 15mA$                       |
|                 |                                  | 4.0             |  | 11              | 20        | $\Omega$ | $V_{IN} = 2.4V, I_{IN} = 15mA$                       |
| $I_{CC}$        | Quiescent Supply Current         | 5.5             |  |                 | 3         | $\mu A$  | $V_{IN} = V_{CC}$ or GND, $I_{OUT} = 0$              |
| $\Delta I_{CC}$ | Increase in $I_{CC}$ per Input   | 5.5             |  |                 | 2.5       | mA       | One input at 3.4V<br>Other inputs at $V_{CC}$ or GND |

**Note 4:** Typical values are at  $V_{CC} = 5.0V$  and  $T_A = +25^\circ C$

**Note 5:** Measured by the voltage drop between A and B pins at the indicated current through the switch. On resistance is determined by the lower of the voltages on the two (A or B) pins.

## AC Electrical Characteristics

| Symbol             | Parameter                              | $T_A = -40\text{ }^\circ\text{C to } +85\text{ }^\circ\text{C}$<br>$C_L = 50\text{pF, } R_U = R_D = 500\Omega$ |      |                        |      | Units | Conditions   | Figure No.   |
|--------------------|--|--|------|------------------------|------|-------|--|--------------|
|                    |  | $V_{CC} = 4.5 - 5.5\text{V}$   |      | $V_{CC} = 4.0\text{V}$ |      |       |  |              |
|                    |  | Min  | Max  | Min                    | Max  |       |  |              |
| $t_{PHL}, t_{PLH}$ | A or B, to B or A (Note 6)             |  | 0.25 |                        | 0.25 | ns    | $V_I = \text{OPEN}$  | Figures 1, 2 |
| $t_{PHL}, t_{PLH}$ | S to A                                 | 1.5  | 6.1  |                        | 6.8  | ns    | $V_I = \text{OPEN}$  | Figures 1, 2 |
| $t_{PZH}, t_{PZL}$ | Output Enable Time,<br>S or TEST to B  | 1.0  | 6.5  |                        | 7.2  | ns    | $V_I = 7\text{V}$ for $t_{PZL}$ ,<br>$V_I = \text{OPEN}$ for $t_{PZH}$ | Figures 1, 2 |
| $t_{PHZ}, t_{PLZ}$ | Output Disable Time,<br>S or TEST to B | 1.5  | 7.8  |                        | 8.5  | ns    | $V_I = 7\text{V}$ for $t_{PLZ}$ ,<br>$V_I = \text{OPEN}$ for $t_{PHZ}$ | Figures 1, 2 |

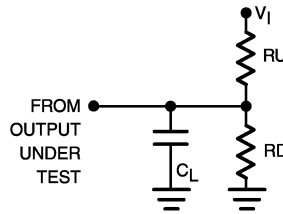
**Note 6:** This parameter is guaranteed by design but is not tested. The bus switch contributes no propagation delay other than the RC delay of the typical On resistance of the switch and the 50pF load capacitance, when driven by an ideal voltage source (zero output impedance).

## Capacitance (Note 7)

| Symbol    | Parameter                     | Typ | Max | Units | Conditions                          |
|-----------|-------------------------------|-----|-----|-------|-------------------------------------|
| $C_{IN}$  | Control pin Input Capacitance | 4   |     | pF    | $V_{CC} = 5.0\text{V}$              |
| $C_{I/O}$ | Input/Output Capacitance      | 6   |     | pF    | $V_{CC} = 5.0\text{V}$ , Switch OFF |

**Note 7:**  $T_A = +25\text{ }^\circ\text{C}$ ,  $f = 1\text{ MHz}$ , Capacitance is characterized but not tested.

## AC Loading and Waveforms

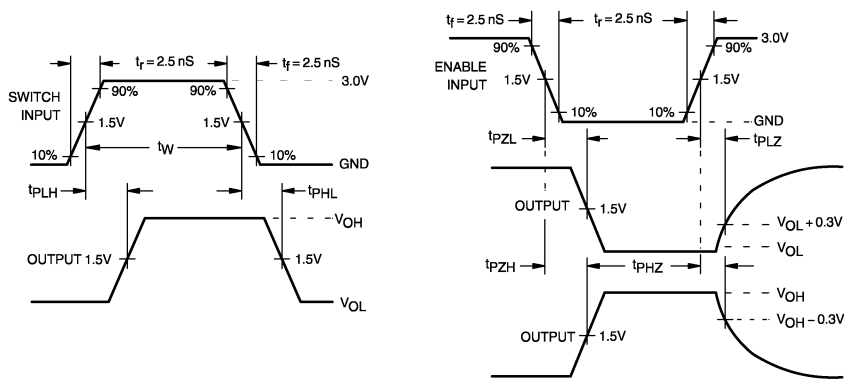


**Note:** Input driven by 50  $\Omega$  source terminated in 50  $\Omega$

**Note:**  $C_L$  includes load and stray capacitance

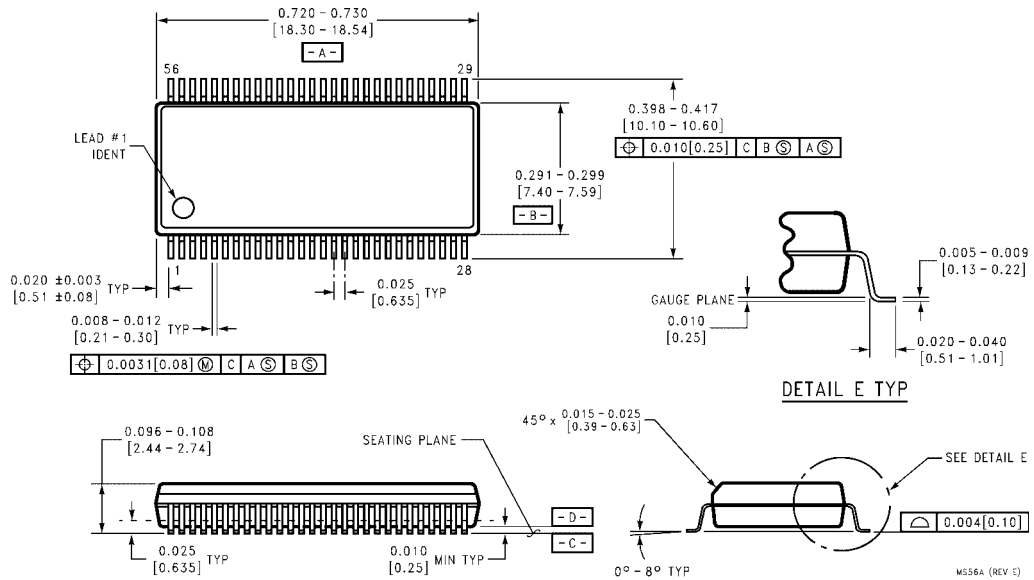
**Note:** Input PRR = 1.0 MHz,  $t_W = 500\text{ ns}$

**FIGURE 1. AC Test Circuit**

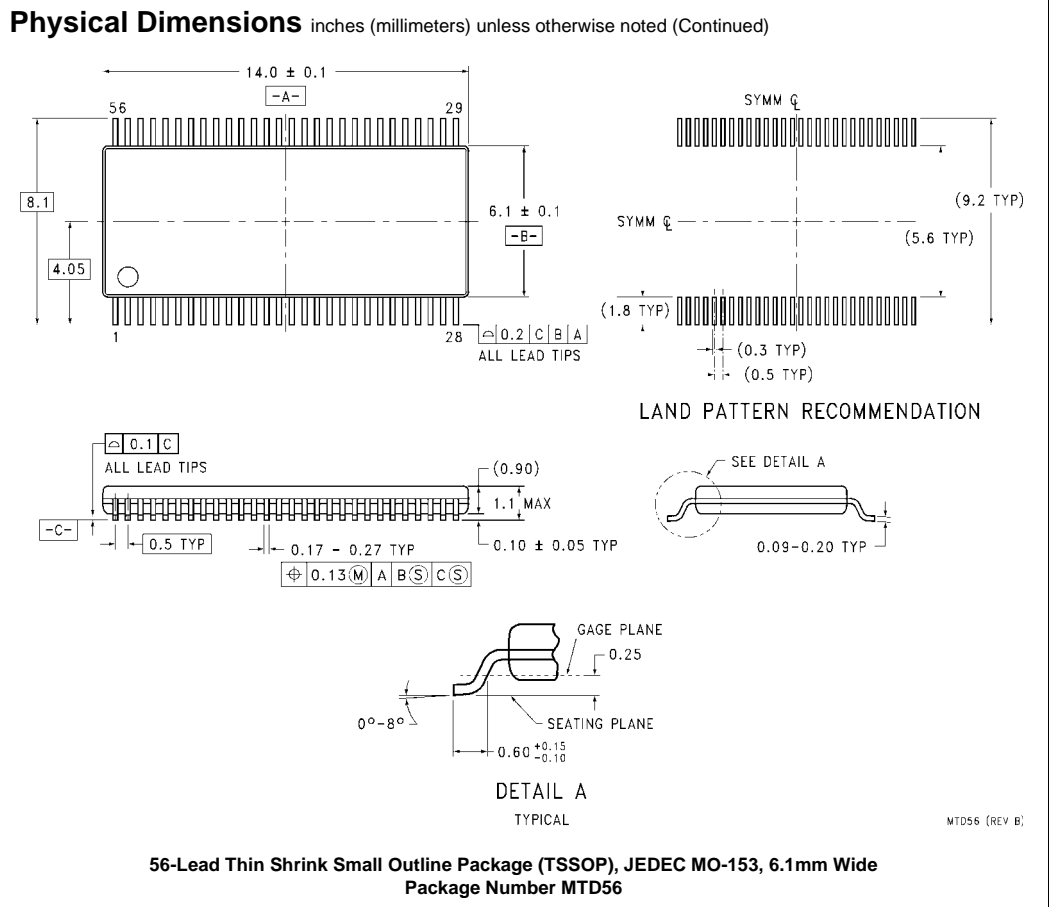


**FIGURE 2. AC Waveforms**

**Physical Dimensions** inches (millimeters) unless otherwise noted



**56-Lead Shrink Small Outline Package (SSOP), JEDEC MO-118, 0.300 Wide  
Package Number MS56A**



### Technology Description

The Fairchild Switch family derives from and embodies Fairchild's proven switch technology used for several years in its 74LVX3L384 (FST3384) bus switch product.

Fairchild does not assume any responsibility for use of any circuitry described, no circuit patent licenses are implied and Fairchild reserves the right at any time without notice to change said circuitry and specifications.

### LIFE SUPPORT POLICY

FAIRCHILD'S PRODUCTS ARE NOT AUTHORIZED FOR USE AS CRITICAL COMPONENTS IN LIFE SUPPORT DEVICES OR SYSTEMS WITHOUT THE EXPRESS WRITTEN APPROVAL OF THE PRESIDENT OF FAIRCHILD SEMICONDUCTOR CORPORATION. As used herein:

1. Life support devices or systems are devices or systems which, (a) are intended for surgical implant into the body, or (b) support or sustain life, and (c) whose failure to perform when properly used in accordance with instructions for use provided in the labeling, can be reasonably expected to result in a significant injury to the user.
2. A critical component in any component of a life support device or system whose failure to perform can be reasonably expected to cause the failure of the life support device or system, or to affect its safety or effectiveness.

[www.fairchildsemi.com](http://www.fairchildsemi.com)