



DS8922/22A/DS8923/23A TRI-STATE® RS-422 Dual Differential Line Driver and Receiver Pairs

General Description

The DS8922/22A and DS8923/23A are Dual Differential Line Driver and Receiver pairs. These devices are designed specifically for applications meeting the ST506, ST412 and ESDI Disk Drive Standards. In addition, the devices meet the requirements of the EIA Standard RS-422.

These devices offer an input sensitivity of 200 mV over a $\pm 7V$ common mode operating range. Hysteresis is incorporated (typically 70 mV) to improve noise margin for slowly changing input waveforms. An input fail-safe circuit is provided such that if the receiver inputs are open the output assumes the logical one state.

The DS8922A and DS8923A drivers are designed to provide unipolar differential drive to twisted pair or parallel wire transmission lines. Complementary outputs are logically ANDed and provide an output skew of 0.5 ns (typ.) with propagation delays of 12 ns.

Both devices feature TRI-STATE outputs. The DS8922/22A have independent control functions common to a driver and receiver pair. The DS8923/23A have separate driver and receiver control functions.

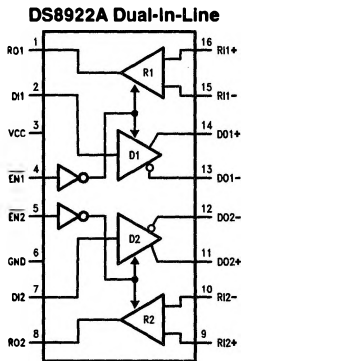
Power up/down circuitry is featured which will TRI-STATE the outputs and prevent erroneous glitches on the transmission lines during system power up or power down operation.

The DS8922/22A and DS8923/23A are designed to be compatible with TTL and CMOS.

Features

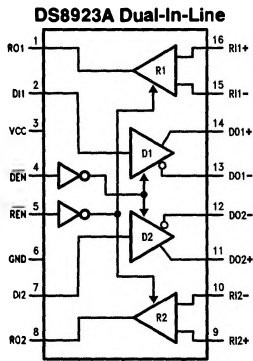
- 12 ns typical propagation delay
- Output skew— ± 0.5 ns typical
- Meets the requirements of EIA Standard RS-422
- Complementary Driver Outputs
- High differential or common-mode input voltage ranges of $\pm 7V$
- $\pm 0.2V$ receiver sensitivity over the input voltage range
- Receiver input fail-safe circuitry
- Receiver input hysteresis— ± 70 mV typical
- Glitch free power up/down
- TRI-STATE outputs

Connection Diagrams



TL/F/8511-1

Order Number DS8922N, J, M,
DS8922AN, AJ, AM
See NS Package Number N16A, J16A or M16A



TL/F/8511-2

Order Number DS8923N, J, M,
DS8923AN, AJ, AM
See NS Package Number N16A, J16A or M16A

Truth Tables

DS8922/22A

EN1	EN2	RO1	RO2	DO1	DO2
0	0	ACTIVE	ACTIVE	ACTIVE	ACTIVE
1	0	HI-Z	ACTIVE	HI-Z	ACTIVE
0	1	ACTIVE	HI-Z	ACTIVE	HI-Z
1	1	HI-Z	HI-Z	HI-Z	HI-Z

DS8923/23A

DEN	REN	RO1	RO2	DO1	DO2
0	0	ACTIVE	ACTIVE	ACTIVE	ACTIVE
1	0	ACTIVE	ACTIVE	HI-Z	HI-Z
0	1	HI-Z	HI-Z	ACTIVE	ACTIVE
1	1	HI-Z	HI-Z	HI-Z	HI-Z

For complete specifications see the Interface Databook.