

TIW400

Visaton 40 cm (15") High-End woofer

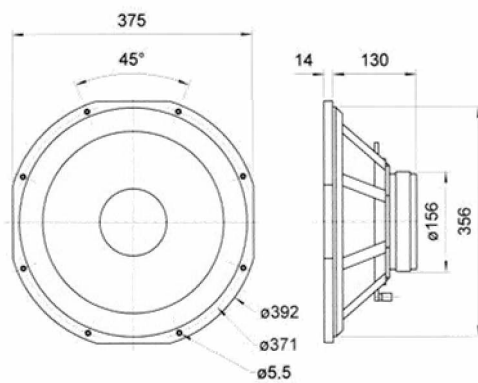
[BACK](#)



General description

40 cm (15") High-End woofer with black cellulose cone, large magnet and heavy aluminum die-cast basket. Extremely high power handling due to 60 mm voice-coil, capton voice coil carrier and magnet vent.

Technical Data:	
Nominal power handling	300 Watt
Peak power handling	700 Watt
Nominal impedance	8 Ohm
Frequency response (-10 dB)	fu - 3000 Hz
(fu: Lower cut-off frequency depending on cabinet)	.
Mean sound pressure level	91 dB (1W/1m)
Maximum cone displacement	27 mm
Resonance frequency fs	23 Hz
Magnetic induction	1,06 Tesla
Magnetic flux	2000 μ Weber
Height of front pole-plate	10 mm
Voice coil diameter	6 cm
Height of winding	2,5 cm
Cutout diameter	35,7 cm
Net weight	6,7 kg
D.C. resistance Rdc	5,8 Ohm
Mechanical Q factor Qms	5,97
Electrical Q factor Qes	0,37
Total Q factor Qts	0,35
Equivalent volume Vas	300 l
Effective piston area Sd	755 cm ²
Dynamically moved mass Mms	120 g
Force factor Bxl	17 T · m
Inductance of the voice coil L	2,6 mH



drawing

