

BC/OC 1" Tweeter



Type Number: OC25SC75-04

Features:

The BC/OC product line is known for its quality tweeters and midwoofers. Designed in Denmark by our experienced team of audio engineers, Peerless BC/OC products can meet the most demanding needs for both volume and audio excellence. The BC/OC product line has ferrofluid in the magnet gap for improved cooling of the driver.

Driver Highlights: No faceplate with a keylock for easy connection to your design baffle; cooling fan for improved power handling; coated textile dome for improved performance.



Specs:

Electrical Data

Nominal impedance	Zn	4	ohm
Minimum impedance	Zmin	5.8	ohm
Maximum impedance	Zo	11	ohm
DC resistance	Re	3	ohm

T-S Parameters

Resonance Frequency	fs	1350	Hz
Mechanical Q factor	Qms	3.06	
Electrical Q factor	Qes	1.47	
Total Q factor	Qts	0.99	
Effective piston area	Sd	6.8	cm ²
Sensitivity (2.83V/1m)		94	dB
Sensitivity (1W/1m)		91	dB
Ratio fs/Qts	F	1363.6	

Power handling

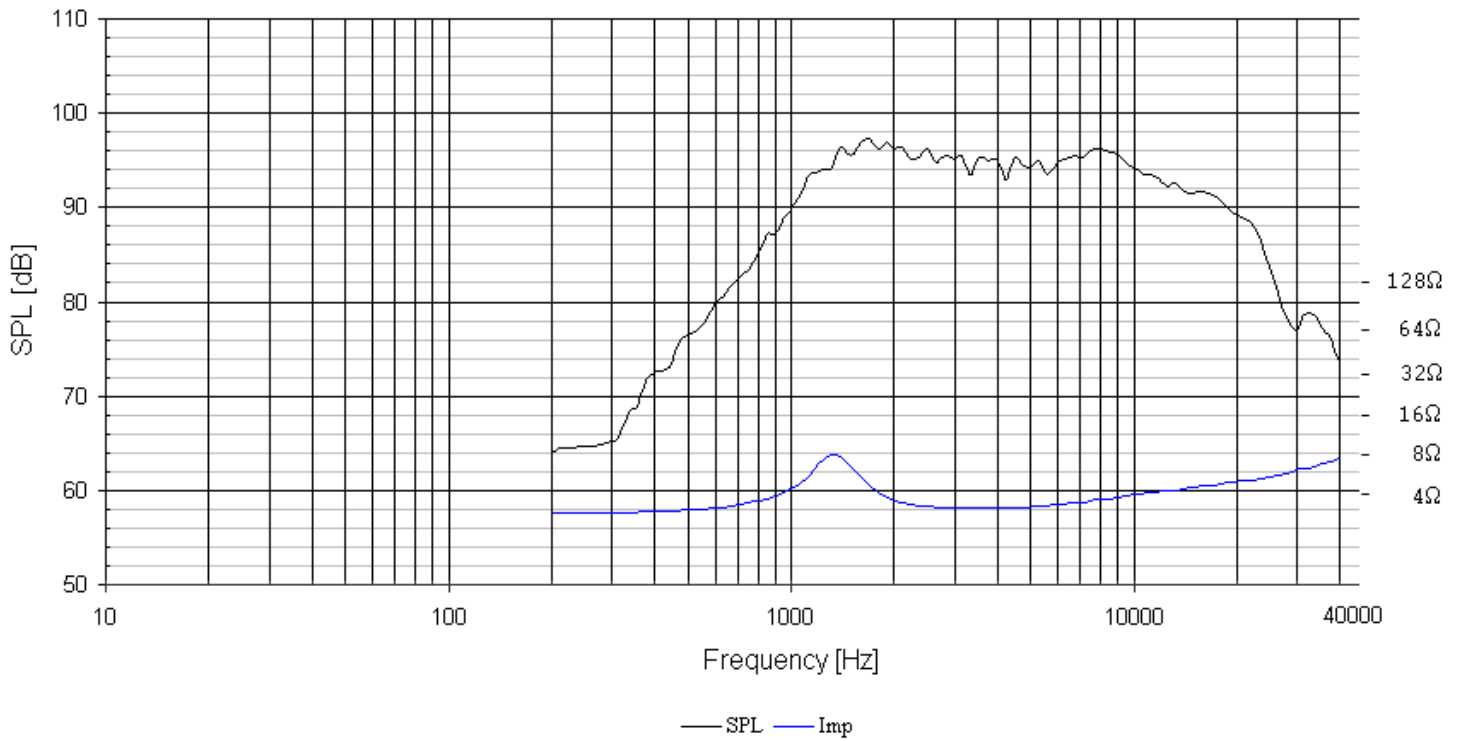
Rated Noise Power (IEC 18.1)	25	W
Long-term Max Power (IEC 18.3)	50	W

Misc. Parameters

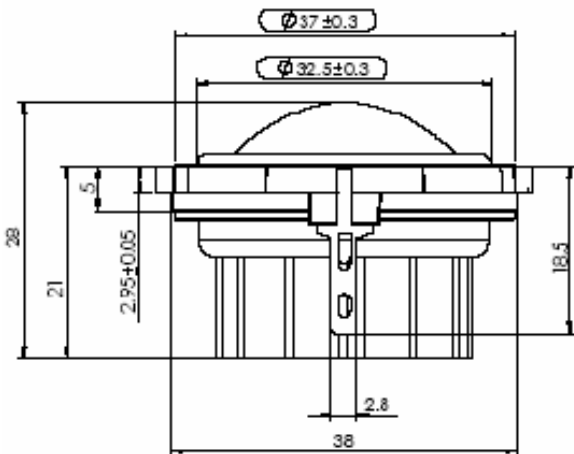
Effective Frequency range (IEC 21.2)	750-	Hz
	25k	
Frame dimensions	41.05	mm
Total Mass	55	grams
Frequency at ka=2	7466	Hz

Notes:
IEC specs refer to IEC 60268-5 third edition.
All Tymphany products are RoHS compliant.

Frequency: OC25SC75-04



Mechanical Dimensions: OC25SC75-04



Drawing Dimensions

Outside Diameter
Flange Thickness
Magnet Diameter

Cutout Diameter
Interior Depth

