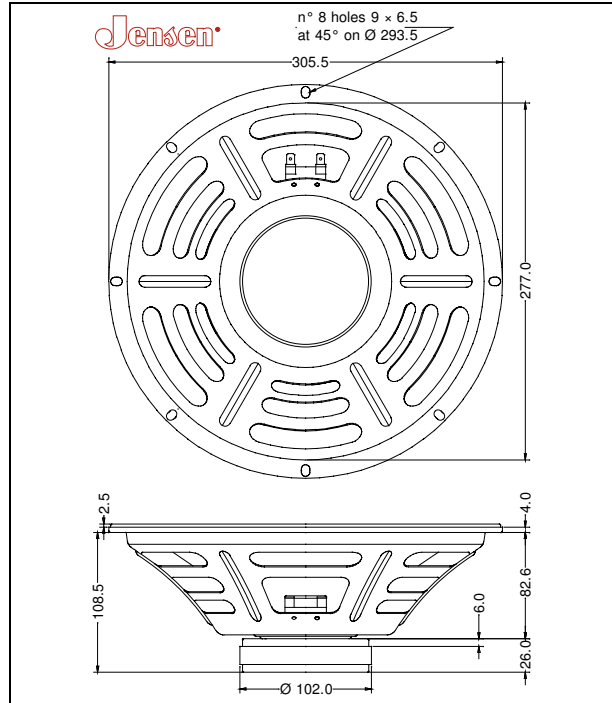


| GENERAL CHARACTERISTICS | | |
|-----------------------------|--------|----------|
| Nominal Overall Diameter | 306 mm | 12 in |
| Nominal Voice Coil Diameter | 32 mm | 1.25 in |
| Magnet Weight | 426 g | 15 oz |
| Overall Weight | | 4.05 lbs |
| Flux Density | | 1.10 T |

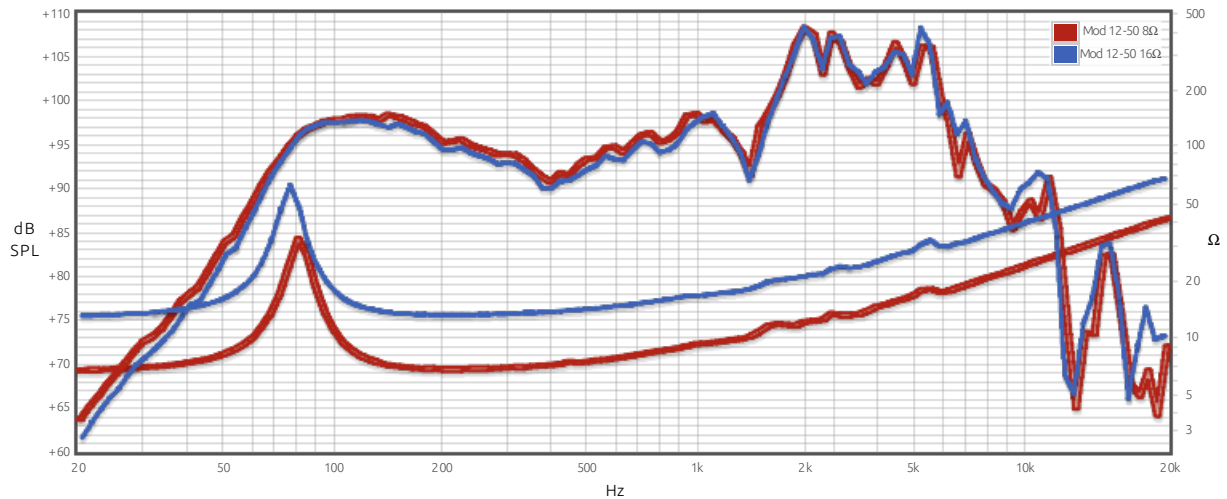
| ELECTRICAL CHARACTERISTICS | | |
|----------------------------|------|---------|
| | 8 Ω | 16 Ω |
| Nominal Impedance | 8 | 16 Ω |
| Rated Power | 50 | 50 W |
| Musical Power | 100 | 100 W |
| Sensitivity@1W,1m | 94.3 | 93.5 dB |

| THIELE-SMALL PARAMETERS | | | |
|------------------------------|-----------|-------|-----------------------|
| | | 8 Ω | 16 Ω |
| Voice Coil DC Resistance | R_E | 6.30 | 12.50 Ω |
| Resonance Frequency | f_S | 82 | 83 Hz |
| Mechanical Q Factor | Q_{MS} | 7.5 | 7.72 |
| Electrical Q Factor | Q_{ES} | 1.73 | 2.07 |
| Total Q Factor | Q_{TS} | 1.4 | 1.63 |
| Mechanical Moving Mass | M_{MS} | 29.4 | 29.8 g |
| Mechanical Compliance | C_{MS} | 129 | 125 μm/N |
| Force Factor | B_{XL} | 7.43 | 9.63 Wb/m |
| Equivalent Acoustic Volume | V_{AS} | 43.6 | 42.3 lt. |
| Maximum Linear Displacement | X_{MAX} | 1.5 | 1.5 mm |
| Reference Efficiency | η_0 | 1.33 | 1.10 % |
| Diaphragm Area | S_D | 490.9 | 490.9 cm ² |
| Losses Electrical Resistance | R_{ES} | 28 | 46 Ω |
| Voice Coil Inductance @ 1kHz | L_E | 0.66 | 1.00 mH |



| CONSTRUCTIVE CHARACTERISTICS | |
|------------------------------|---------------------|
| Magnet | Ferrite |
| Voice Coil Winding | Copper |
| Voice Coil Former | Epotex |
| Cone | Paper |
| Surround | Integrated Paper |
| Dust Dome | Non-treated Cloth |
| Basket | Pressed Sheet Steel |

Frequency Response on IEC Baffle (DIN 45575) @ 1 W, 1 m - Free Air Impedance



Due to continuing product improvement, the features and the design are subject to change without notice.