

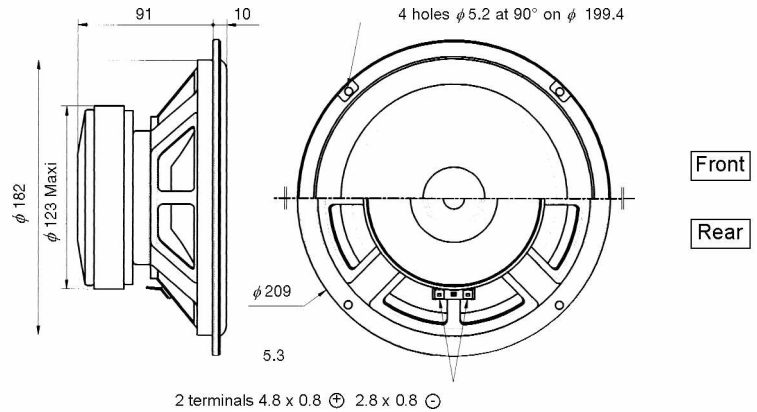
## WOOFER

HT210G10 W04PGV3711  
102125K

102317N

Jan. 2000

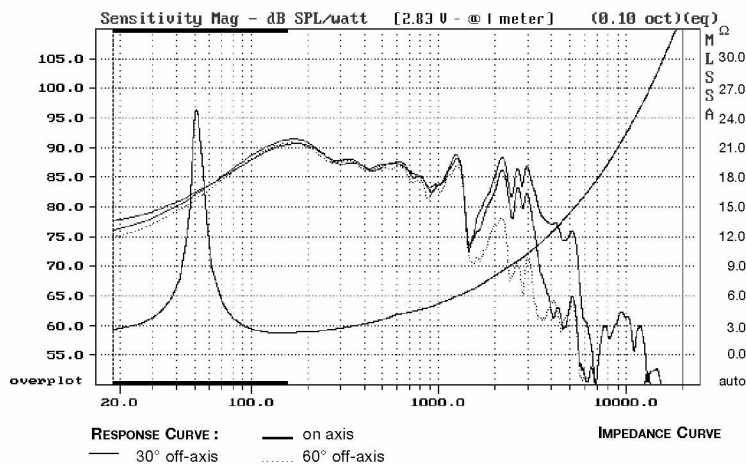
**8" Coated paper cone**  
**Rubber surround**  
**Steel chassis**



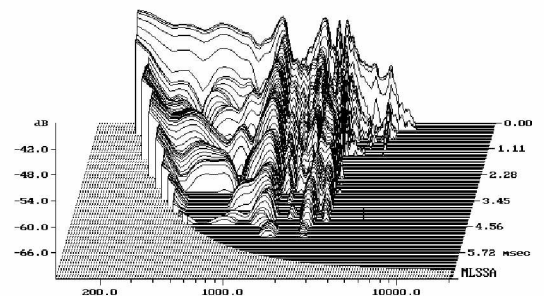
All dimensions in mm

- Progressive rolls spider "Long Neck Progress"
- Bumped back plate for long excursion
- Large rubber surround
- Kapton former coil
- Flat copper wire
- Heavy Gauge Stamped Steel Chassis
- Ideal for Home cinema or Car sub woofer

## Response Curve



## Waterfall



## SPECIFICATIONS

Technical characteristics	Symbol	Value	Units
<b>PRIMARY APPLICATION</b>			
Nominal Impedance	Z	4	$\Omega$
Resonance Frequency	Fs	52,2	Hz
Nominal Power Handling	P	100	W
Sensitivity (2,83 V - 1m)	E	88	dB
<b>VOICE COIL</b>			
Voice Coil Diameter	$\phi$	37	mm
Minimum Impedance	Zmin	3,5	$\Omega$
DC Resistance	Dcr	3,09	$\Omega$
Voice Coil Inductance	Lbm	1,08	mH
Voice Coil Length	h	14,7	mm
Former	-	kapton	-
Number of Layers	n	2	-
Wire type	-	Round	-
Wire material	-	Copper	-

## MAGNET

Magnet Dimensions	$\phi \times h$	121 x 20	mm
Magnet Weight	m	890	g
Flux Density	B	1,2	T
Force Factor	BL	8,39	NA <sup>-1</sup>
Height of Magnetic Gap	He	6	mm
Stray Flux	Fmag	-	Am <sup>-1</sup>
Linear Excursion	Xmax	$\pm 4,5$	mm

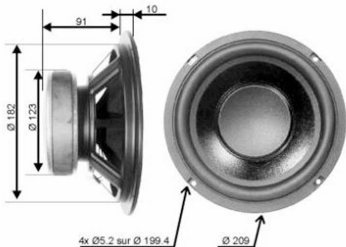
## PARAMETERS

Suspension Compliance	Cms	238	$\mu\text{m/N}$
Mechanical Q Factor	Qms	7,73	-
Electrical Q Factor	Qes	0,56	-
Total Q Factor	Qts	0,52	-
Mechanical Resistance	Rms	1,65	kg s <sup>-1</sup>
Moving Mass	Mms	39,03	g
Effective Piston Area	S	219,04	cm <sup>2</sup>
Volume Equivalent of Air at Cas	Vas	16,0	liters
Mass of Speaker	M	2,8	kg

## Suggested Applications

Vb	Fb	Dp	Lp	F-3
liters	Hz	cm	cm	Hz
40	40	6	8,9	35
30	40,3	6	13	37,1

Equippé d'une suspension gomme large et d'un chassis acier ce haut-parleur est idéal pour la réalisation d'un caisson de basse home-cinéma ou automobile.



Impédance ..... 8 ohms  
 Résonance ..... 52.2 Hz  
 Puissance nominale (IEC) 100 W  
 Sensibilité (2.83V/1m) ..... 88 dB

Résistance (DC) ..... 3.09 ohms  
 Inductance ..... 1.08 mH  
 Xmax ..... ± 4.5 mm  
 Qms ..... 7.73  
 Qes ..... 0.56  
 Qts ..... 0.52  
 Vas ..... 219 l

Diamètre bobine ..... 37 mm  
 Hauteur bobine ..... 14.7 mm  
 Support ..... kapton  
 Nb. couches ..... 2  
 Type de fil ..... plat  
 Champ ..... 8.39 NA  
 Masse mobile ..... 39.03 gr

Membrane ..... papier traité  
 Suspension ..... gomme  
 Saladier ..... acier embouti  
 Poids ..... 2.8 kg

