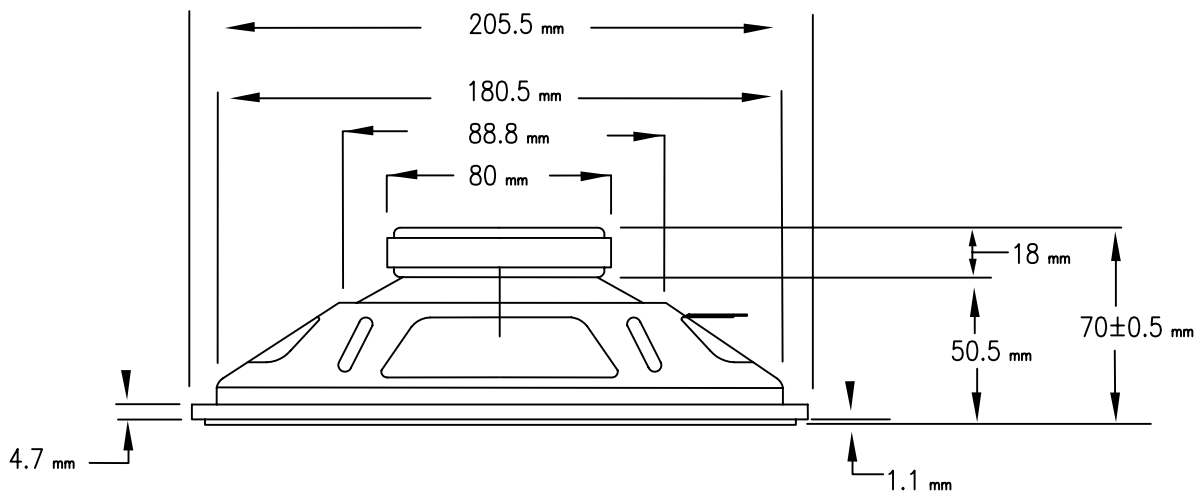
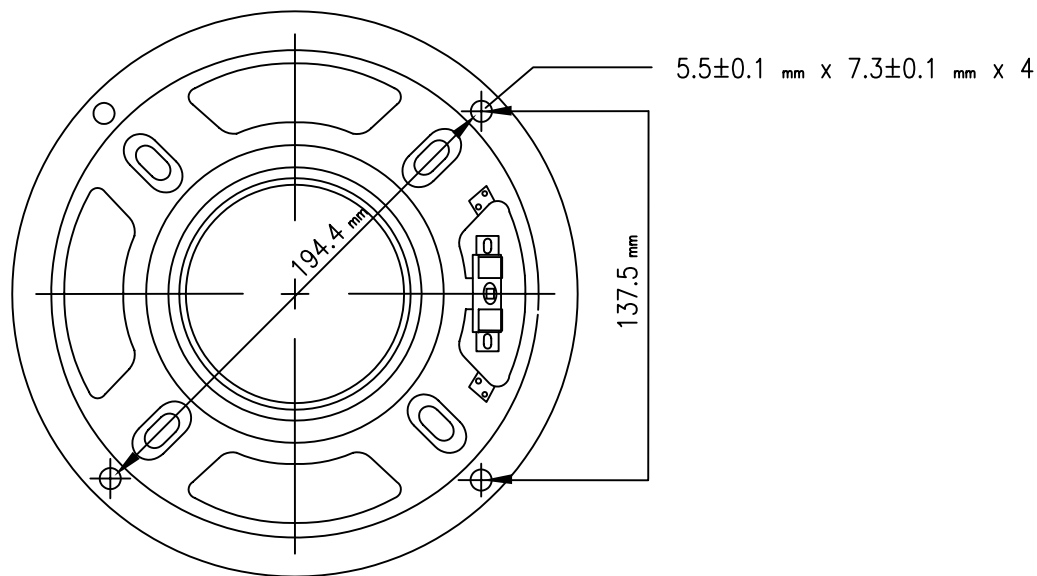


Specifications

1	Part No.	GF2002			
2	Nominal Size	205 mm.	8"	inch	
3	Impedance	$8 \Omega \pm 15\%$	at	200 Hz.	1 V.
4	Resonance	55 Hz.±	8 Hz.	FO Hz.	1 V.
5	S.P. Level	97 dB/w ±	2 dB	1 w. 50 cm. average at	
6	Response	fo Hz.~	7K Hz.	MAX 10dB	150, 200, 300, 400 Hz.
7	Crossover Freq.	Hz.	Hz.	dB/OCT	Net work
8	Input Power	Nominal Input	20 w.	Handling Capacity	30 w.
9	Operation	Must be normal at program source			20 w.
10	Buzz, Rattle, etc.	Must be normal at sine wave			7.00 v.
11	Flux Density	Gauss ± 10%			
12	Total Flux	Max well min			
13	Magnet	Size	80 x 40 x 15 mm	gr	oz
14	Total Weight				gr oz
15	Load Test	After test meet item 9 and 10	White noise	20 w.	48 Hours
16	Distortion	% MAX		Hz	W.
17	Heat Test	After test meet item 9 and 10	70±2 ±°C	20-50 %R.H.	48 Hours
18	Humidity Test	After test meet item 9 and 10	40±2 ±°C	90-95 %R.H.	48 Hours

PART NO.	GF2002	UNITS:	mm
DRAWN BY:		PAGE NO:	1 of 2



9615 SW Allen, Suite 103
 Beaverton, OR 97005
 Phone: (503) 643-4899
 800-275-4899
 Fax: (503) 372-1266
 Website: www.cui.com

TITLE:

PART NO.

GF2002

UNITS:

mm

DRAWN BY:

Page No.

2 of 2