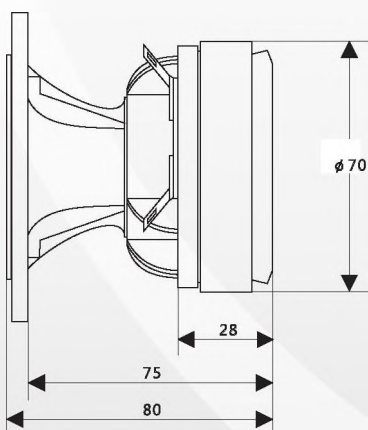
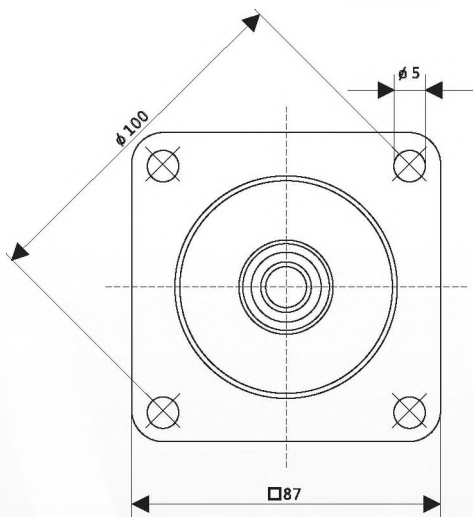


## HORN TWEETER LOUDSPEAKER GDWT 9/100FP



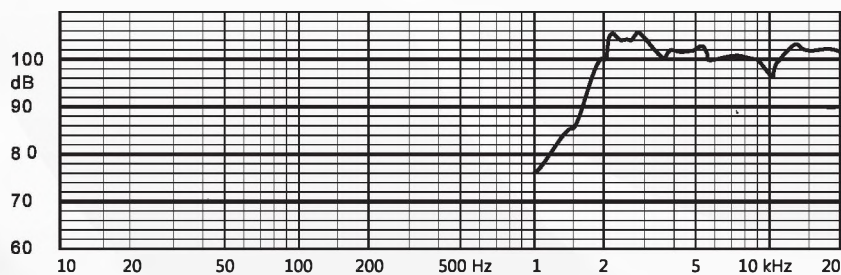
### TECHNICAL DATA

Rated impedance	8	$\Omega$
Voice coil resistance	6,3	$\Omega$
Rated frequency range	3 to 20	kHz
Resonance frequency	-	kHz
Recommended crossover frequency	4,5	kHz
Power handling capacity, P1/P2		
measured with filter	100/6	W
Max. power	200/15	W
Sensitivity	101	dB
Flux density	1,29	T
Energy in air gap	119,5	mJ
Air - gap	25/3/0,745	mm
Voice coil height	1,8	mm
Magnet		
- material	ferrite	
- dimensions	70/32/15	mm
- mass	0,23	kg
Mass of loudspeaker	0,8	kg

The loudspeaker has flexible wire leads and a capton voice coil former andan air gap with ferrofluid.

### AVAILABLE VERSIONS

- GDWT 9/100FP - 8  $\Omega$  , catalogue number 9 5155 104 10
- GDWT 9/100FP - 4  $\Omega$  , catalogue number 9 5155 104 09



### FREQUENCY RESPONSE CURVE

Measured in anechoic room at 1W/1m, free field.