

# HORN TWEETER LOUDSPEAKER GDWT 10/80

9 5155 042

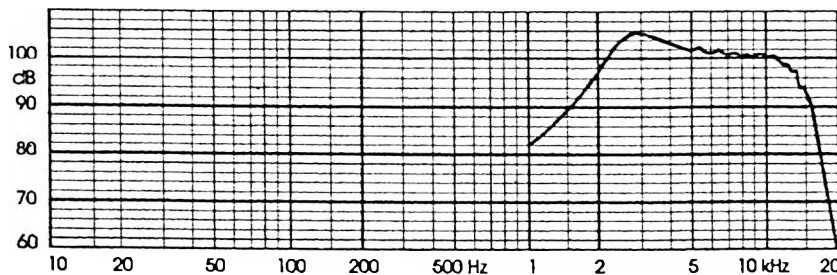
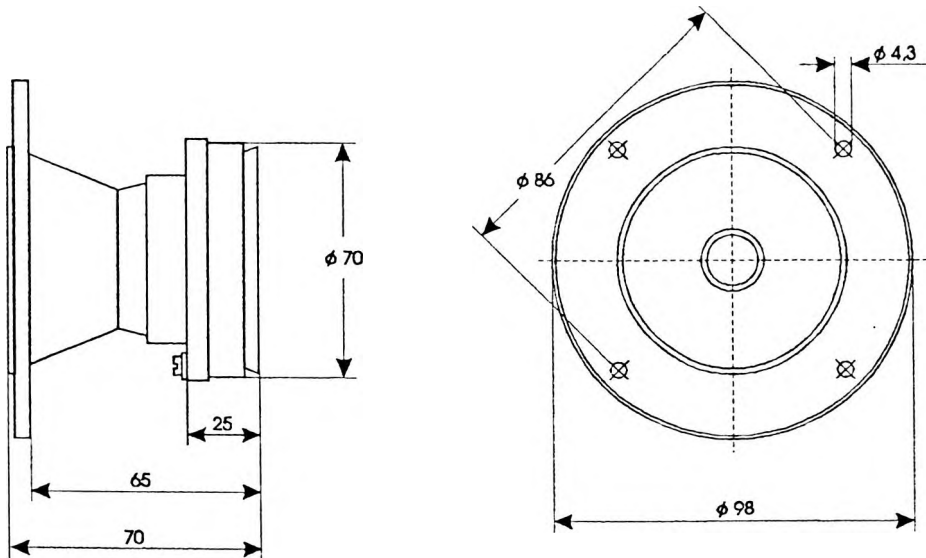
## TECHNICAL DATA

Rated impedance	4	8	Ω
Voice coil resistance	2,9	6,3	Ω
Rated frequency range	4 to 14		kHz
Resonance frequency	-		kHz
Recommended crossover frequency	4,5		kHz
Power handling capacity, P1/P2, measured with filter		80/2,5	W
Max. power		130/4	W
Sensitivity	101	100	dB
Flux density		1,16	T
Energy in air gap		104,5	mJ
Air - gap		25/3/0,815	mm
Voice coil height	3	1,9	mm
Magnet		ferrite	
- material		70/32/10	mm
- dimensions		0,15	kg
- mass		0,5	kg
Mass of loudspeaker			

The loudspeaker has flexible wire leads

## AVAILABLE VERSIONS

- GDWT 10/80 - 4Ω, catalogue number 9 5155 042 01
- GDWT 10/80 - 8Ω, catalogue number 9 5155 042 02



FREQUENCY RESPONSE CURVE  
Measured in anechoic room at 1W/1m, free field.