

WOOFER GDN 30/80/5

9 5151 041

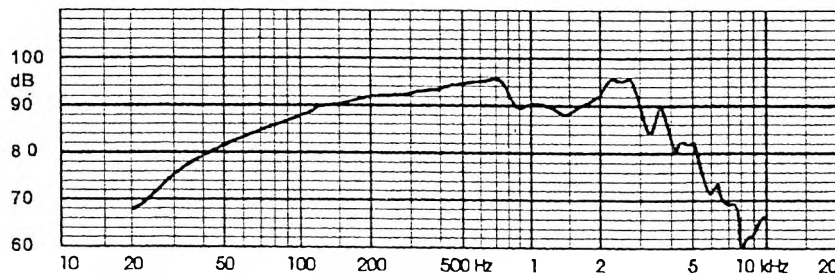
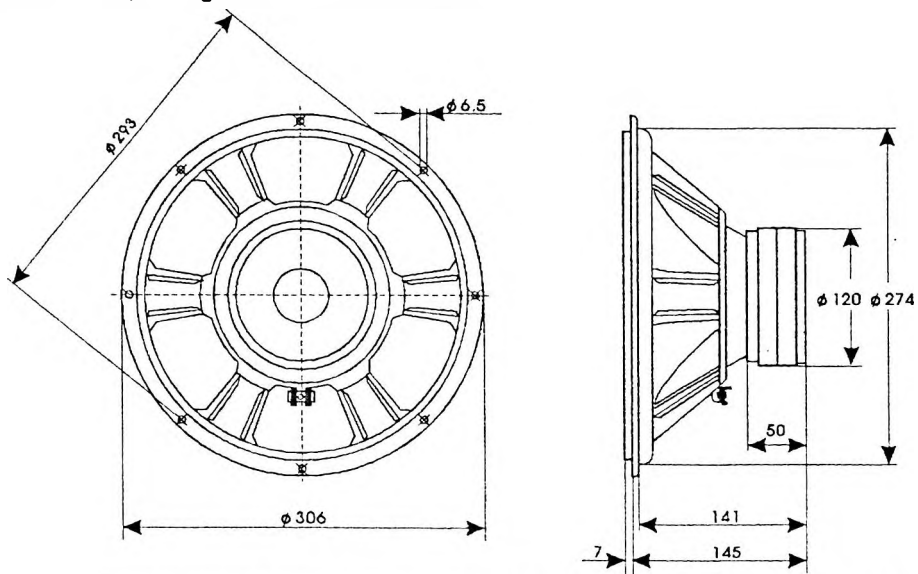
TECHNICAL DATA

Rated impedance	8	Ω
Voice coil resistance	6,2	Ω
Rated frequency range	50 to 2500	Hz
Resonance frequency	25	Hz
Power handling capacity / enclosure 70 dm ³ , 100 h continuous /	80	W
Max. power	140	W
Sensitivity	91	dB
Flux density	0,7	T
Energy in air gap	388	mJ
Force factor - Bl	13	Tm
Piston area - Sp	0,051	m ²
Total moving mass - M _{MS}	0,051	kg
Compliance /loudspeaker unmounted/ - C _{MS}	79x10 ⁻⁵	m/N
Equivalent box volume - V _{AS}	0,29	m ³
Quality factor /loudspeaker unmounted/		
- mechanical - Q _{MS}	1,87	
- electrical - Q _{ES}	0,27	
- total - Q _{TS}	0,23	
Air - gap	48/6/2	mm
Voice coil height	12,5	mm
Magnet		
- material	ferite	
- dimensions	2x120/60/18	mm
- mass	1,52	kg
Mass of loudspeaker	3,9	kg

Diaphragm covered with damping - sealing material.

AVAILABLE VERSIONS

- GDN 30/80/5 - 8 Ω , catalogue number 9 5151 041 01



FREQUENCY RESPONSE CURVE
Measured in anechoic room at 1W/1m. Loudspeaker mounted
in sealed 70 dm³ enclosure.