

# WOOFER GDN 30/60/10

9 5151 004

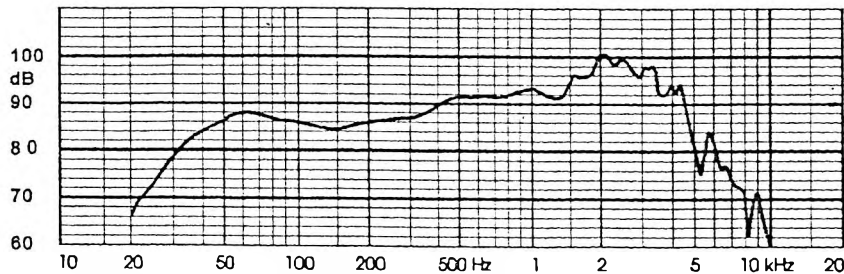
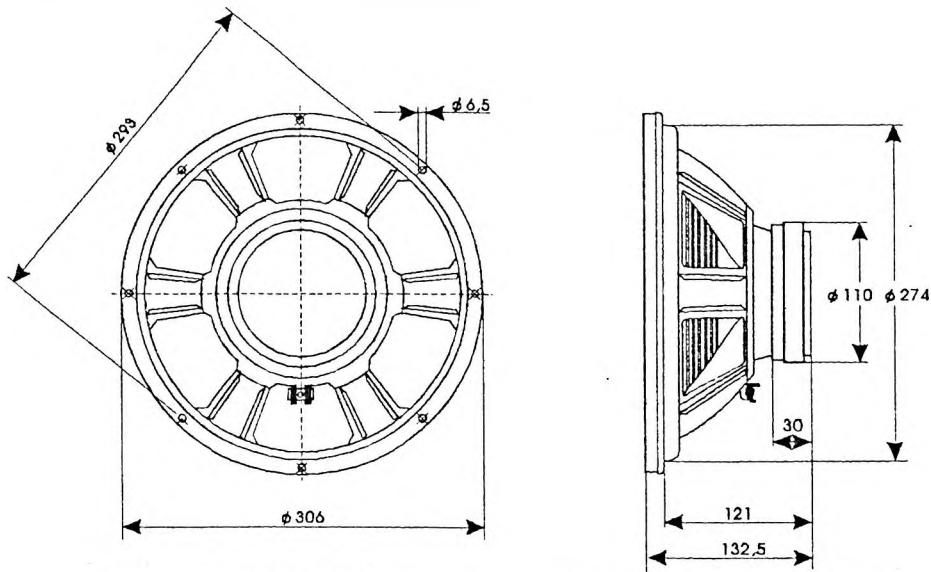
## TECHNICAL DATA

Rated impedance	8	$\Omega$
Voice coil resistance	6,4	$\Omega$
Rated frequency range	100 to 1500	Hz
Resonance frequency	25	Hz
Power handling capacity / enclosure 70 dm <sup>3</sup> , 100 h continuous /	60	W
Max. power	90	W
Sensitivity	89	dB
Flux density	1	T
Energy in air gap	329	mJ
Force factor - Bl	8,4	Tm
Piston area - S <sub>D</sub>	0,05	m <sup>2</sup>
Total moving mass - M <sub>MS</sub>	0,044	kg
Compliance /loudspeaker unmounted/ - C <sub>MS</sub>	92,6x10 <sup>-5</sup>	m/N
Equivalent box volume - V <sub>AS</sub>	0,4	m <sup>3</sup>
Quality factor /loudspeaker unmounted/		
- mechanical - Q <sub>MS</sub>	3,89	
- electrical - Q <sub>ES</sub>	0,62	
- total - Q <sub>TS</sub>	0,53	
Air - gap	35/6/1,2	mm
Voice coil height	15	mm
Magnet		
- material	ferrite	
- dimensions	110/60/18	mm
- mass	0,6	kg
Mass of loudspeaker	2,2	kg

Connection is by 2,8 mm x 0,5 mm tag connectors or by soldering.  
Diaphragm covered with damping - sealing material.

## AVAILABLE VERSIONS

- GDN 30/60/10 - 8 $\Omega$ , catalogue number 9 5151 004 06



FREQUENCY RESPONSE CURVE  
Measured in anechoic room at 1W/1m. Loudspeaker mounted  
in sealed 70 dm<sup>3</sup> enclosure.