

WOOFER GDN 20/100/3

9 5151 249

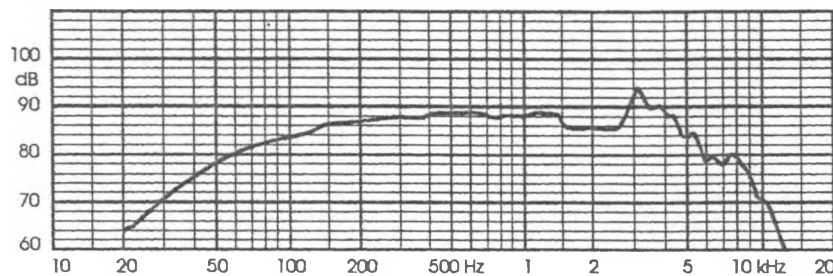
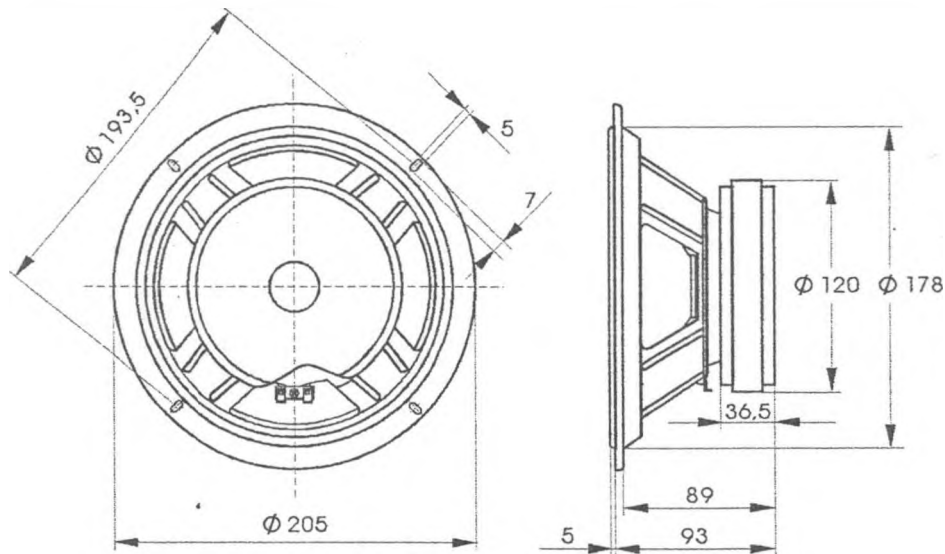
TECHNICAL DATA

Rated impedance	4 Ω
Voice coil resistance	3,3 Ω
Rated frequency range	55 to 3000 Hz
Resonance frequency	30 Hz
Power handling capacity / enclosure 24 dm ³ , 100 h continuous /	100 W
Max power	200 W
Sensitivity	89 dB
Flux density	0,86 T
Energy in air gap	380 mJ
Force factor - Bl	8,2 Tm
Piston area - S _D	0,022 m ²
Total moving mass - M _{MS}	0,029 kg
Compliance /loudspeaker unmounted/ - C _{MS}	0,98 x 10 ⁻³ m/N
Equivalent box volume - V _{AS}	0,084 m ³
Quality factor /loudspeaker unmounted/	
- mechanical - Q _{MS}	4,27
- electrical - Q _{ES}	0,27
- total - Q _{TS}	0,25
Air - gap	35/8/1,4 mm
Voice coil height	16,5 mm
Magnet	
- material	ferrite
- dimensions	120/60/18 mm
- mass	0,76 kg
Mass of loudspeaker	2,5 kg

The loudspeaker has a paper cone.
The loudspeaker is particularly suitable for subwoofers.

AVAILABLE VERSIONS

- GDN 20/100/3 - 4 Ω , catalogue number 9 5151 249 01 - black cone



FREQUENCY RESPONSE CURVE

Measured in anechoic room at 1W, 1m, Loudspeaker mounted in sealed 24 dm³ enclosure.