

# WOOFER GDN 18/60

9 5151 253

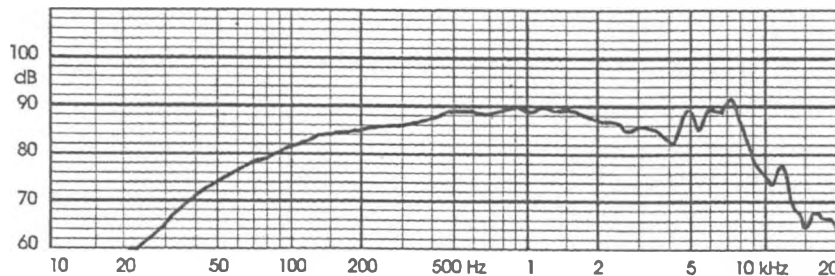
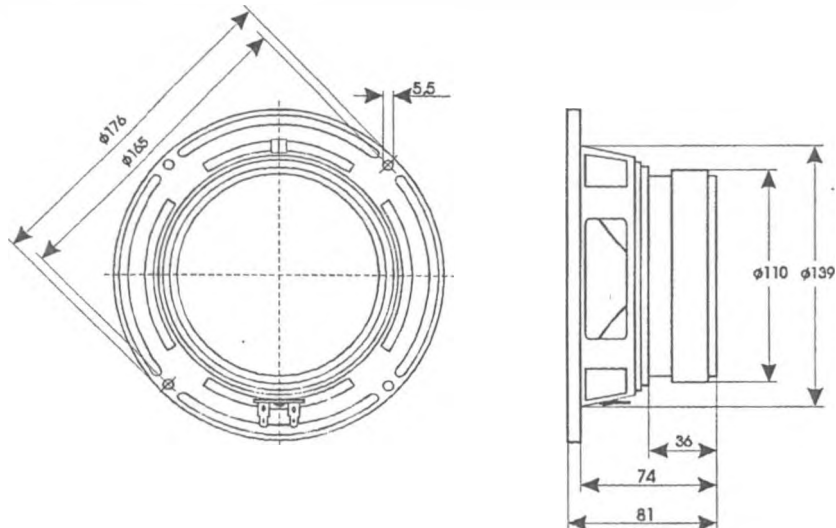
## TECHNICAL DATA

Rated impedance	8	$\Omega$
Voice coil resistance	6,5	$\Omega$
Rated frequency range	70 to 3000	Hz
Resonance frequency	40	Hz
Power handling capacity / vented enclosure 12 dm <sup>3</sup> , 100 h, continuous /	50	W
Max. power	100	W
Sensitivity	87	dB
Flux density	1,06	T
Energy in air gap	385	mJ
Force factor - BI	8,5	Tm
Piston area - S <sub>D</sub>	114 x 10 <sup>-4</sup>	m <sup>2</sup>
Total moving mass - M <sub>MS</sub>	14,6 x 10 <sup>-3</sup>	kg
Compliance /loudspeaker unmounted/ - C <sub>MS</sub>	1,03 x 10 <sup>-3</sup>	m/N
Equivalent box volume - V <sub>AS</sub>	19,3 x 10 <sup>-3</sup>	m <sup>3</sup>
Quality factor /loudspeaker unmounted/		
- mechanical - Q <sub>MS</sub>	1,79	
- electrical - Q <sub>ES</sub>	0,35	
- total - Q <sub>TS</sub>	0,29	
Air - gap	35/5,5/1,20	mm
Voice coil height	12,3	mm
Magnet		
- material	ferrite	
- dimensions	110/60/18	mm
- mass	0,60	kg
Mass of loudspeaker	2,1	kg

The loudspeaker has a paper cone, a foam surround and an aluminium coil former.  
Connection is by 4,8 mm x 0,5 mm tag connectors or by soldering.

## AVAILABLE VERSIONS

- GDN 18/60 - 8 $\Omega$ , catalogue number 9 5151 253 -01 - diaphragm covered with black matt paint



FREQUENCY RESPONSE CURVE

Measured in anechoic room at 1W/1m. Loudspeaker mounted in sealed 9 dm<sup>3</sup> enclosure.