

WOOFER GDN 13/50/1

9 5151 137

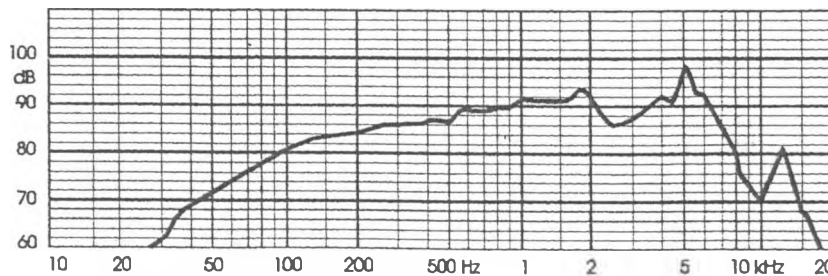
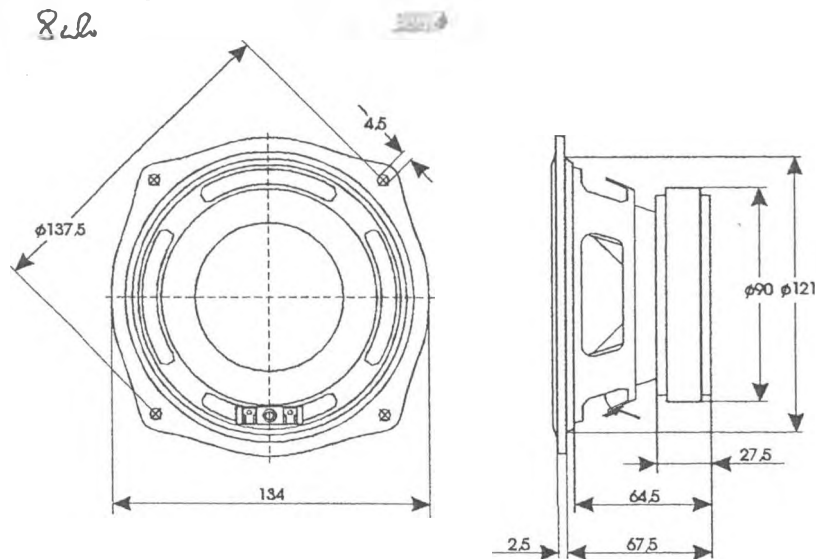
TECHNICAL DATA

Rated impedance	4	Ω
Voice coil resistance	3,45	Ω
Rated frequency range	58 to 5000	Hz
Resonance frequency	58	Hz
Power handling capacity / enclosure 5 dm ³ , 100 h continuous /	40	W
Max. power	80	W
Sensitivity	87	dB
Flux density	0,98	T
Energy in air gap	220	mJ
Force factor - Bl	4,8	Tm
Piston area - S _D	76 x 10 ⁻⁴	m ²
Total moving mass - M _{MS}	7,5 x 10 ⁻³	kg
Compliance /loudspeaker unmounted/ - C _{MS}	12,15 x 10 ⁻⁴	m/N
Equivalent box volume - V _{AS}	8,2 x 10 ⁻³	m ³
Quality factor /loudspeaker unmounted/		
- mechanical - Q _{MS}	2,4	
- electrical - Q _{ES}	0,5	
- total - Q _{TS}	0,38	
Air - gap	25/6/1,18	mm
Voice coil height	8	mm
Magnet		
- material	ferrite	
- dimensions	90/45/15,5	mm
- mass	0,35	kg
Mass of loudspeaker	1,1	kg

The loudspeaker has a paper cone and a foam surround, paper dust cap and an aluminium coil former
Connection is by 2,8 mm x 0,5 mm tag connectors or by soldering.

AVAILABLE VERSIONS

- GDN 13/50/1 - 4Ω, catalogue number 9 5151 137 01



FREQUENCY RESPONSE CURVE

Measured in anechoic room at 1W/1m. Loudspeaker mounted in sealed 5 dm³ enclosure.