

WOOFER GDN 13/40/10

9 5151 248

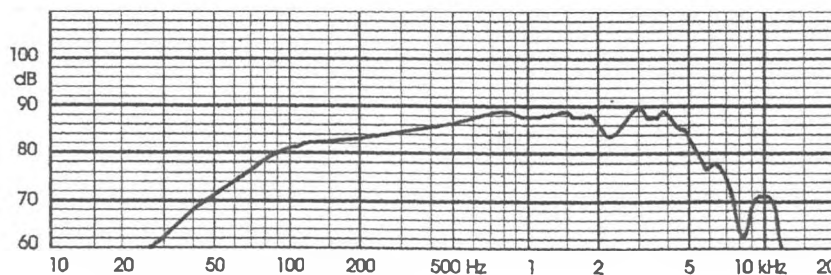
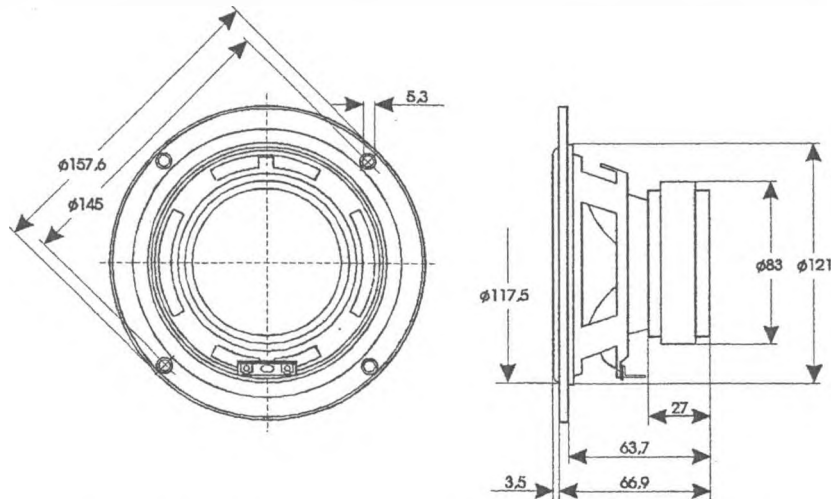
TECHNICAL DATA

Rated impedance	7	8	Ω
Voice coil resistance	5,7	6,5	Ω
Rated frequency range	90 to 4000		Hz
Resonance frequency	56		Hz
Power handling capacity / enclosure 5 dm ³ , 100 h continuous /	40		W
Max. power	80		W
Sensitivity	87		dB
Flux density	0,95		T
Energy in air gap	199		mJ
Force factor - Bl	6,68	6,43	Tm
Piston area - S _D	86 x 10 ⁻⁴		m ²
Total moving mass - M _{MS}	10,7 x 10 ⁻³	11,1 x 10 ⁻³	kg
Compliance /loudspeaker unmounted/ - C _{MS}	0,72 x 10 ⁻³		m/N
Equivalent box volume - V _{AS}	7,6 x 10 ⁻³		m ³
Quality factor /loudspeaker unmounted/ - mechanical - Q _{MS}	4,52	4,42	
- electrical - Q _{ES}	0,495	0,61	
- total - Q _{TS}	0,445	0,54	
Air - gap	25/6/1,125		mm
Voice coil height	11	12	mm
Magnet	ferite		
- material	83/31/15		mm
- dimensions	0,35		kg
- mass	0,95		kg
Mass of loudspeaker			kg

The loudspeaker has polypropylene cone, rubber surround and concave plastic dust cap.
Connection is by 4,8mm x 0,8mm and 2,8mm x 0,8mm tag connectors or by soldering.

AVAILABLE VERSIONS

- GDN 13/40/10 - 7Ω, catalogue number 9 5151 248 07 - black cone, Kapton voice coil former
- GDN 13/40/10 - 8Ω, catalogue number 9 5151 248 01 - black cone, Kapton voice coil former



FREQUENCY RESPONSE CURVE
Measured in anechoic room at 1W/1m. Loudspeaker mounted
in sealed 5 dm³ enclosure.