

FULL RANGE LOUDSPEAKER GD 7-16/10

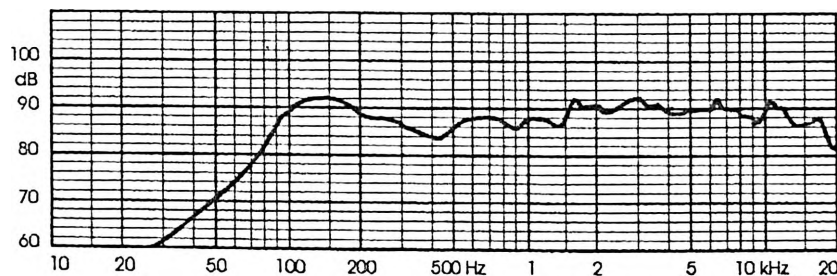
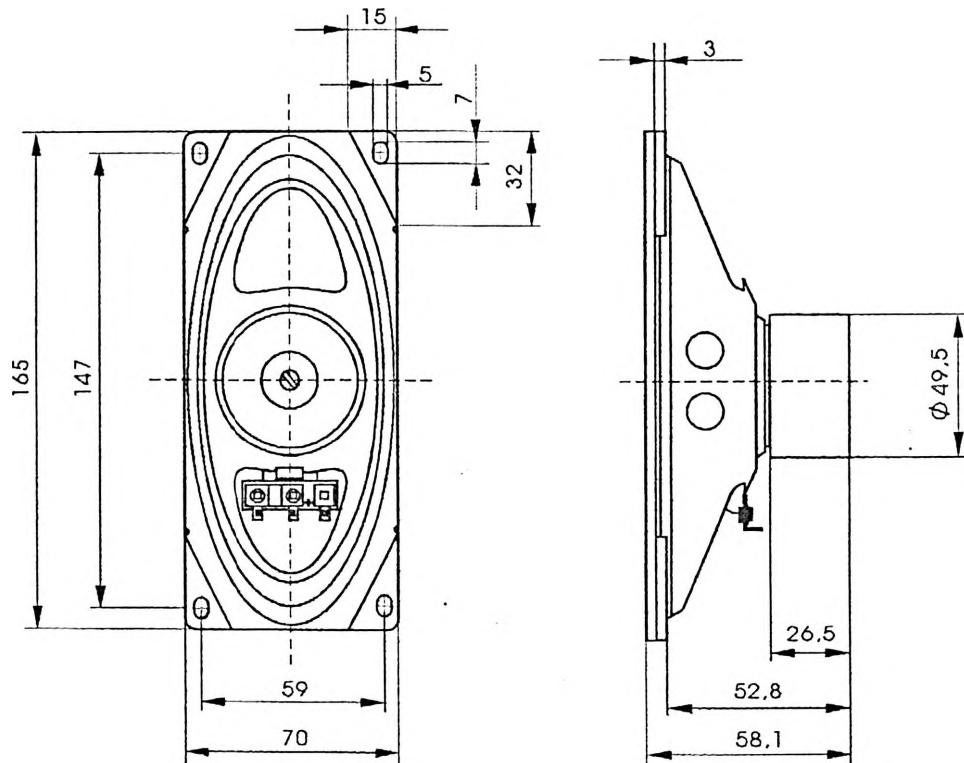
9 5111 030

TECHNICAL DATA

Rated impedance	4	8	Ω
Voice coil resistance	3,4	6,4	Ω
Rated frequency range	100 to 15000 kHz		
Resonance frequency	110 kHz		
Power handling capacity, Loudspeaker unmounted, 100 h continuous/	10 W		
Max power	15 W		
Sensitivity	89 dB		
Flux density	0,72 T		
Energy in air gap	35,12 mJ		
Air-gap	14/4/0,91 mm		
Voice coil height	4,5	5,1	mm
Magnet	ferrite		
- material	2x39/22,5/9 mm		
- dimensions	2x0,036 kg		
- mass	0,32 kg		
Mass of loudspeaker			

AVAILABLE VERSIONS

- GD 7-16/10 - 4 Ω , catalogue number 9 5111 030 11
- GD 7-16/10 - 8 Ω , catalogue number 9 5111 030 16



FREQUENCY RESPONSE CURVE
Measured in anechoic room at 1 W, 1 m, Loudspeaker mounted on IEC baffle.