

FULL RANGE LOUDSPEAKER GD 6-13/5

9 5111 032

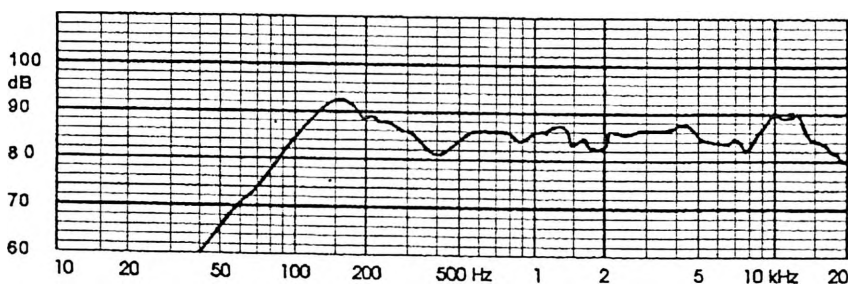
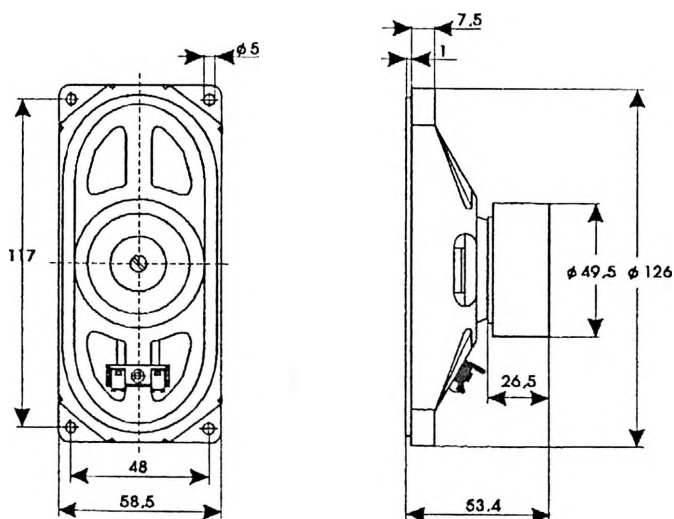
TECHNICAL DATA

Rated impedance	8 Ω
Voice coil resistance	7,2 Ω
Rated frequency range	140 to 15000 Hz
Resonance frequency	140 Hz
Power handling capacity / loudspeaker unmounted, 100 h continuous /	5 W
Max. power	10 W
Sensitivity	84 dB
Flux density	0,72 T
Energy in air gap	34,8 mJ
Air - gap	14/4/0,9 mm
Voice coil height	4,8 mm
Magnet	
- material	ferite
- dimensions	2x39/22,5/9 mm
- mass	2x0,036 kg
Mass of loudspeaker	0,26 kg

Connection is by 2,8 mm x 0,5 mm tag connectors or by soldering.

AVAILABLE VERSIONS

- GD 6-13/5 - 8 Ω , catalogue number 9 5111 032 02



FREQUENCY RESPONSE CURVE

Measured in anechoic room at 1W/1m. Loudspeaker mounted on IEC baffle.