

# FULL RANGE LOUDSPEAKER GD 5-9/3/1

9 5111 048

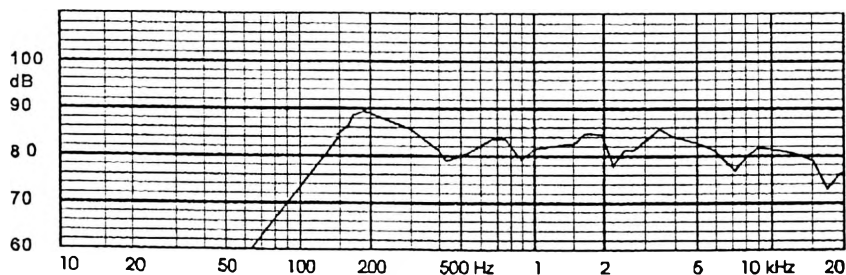
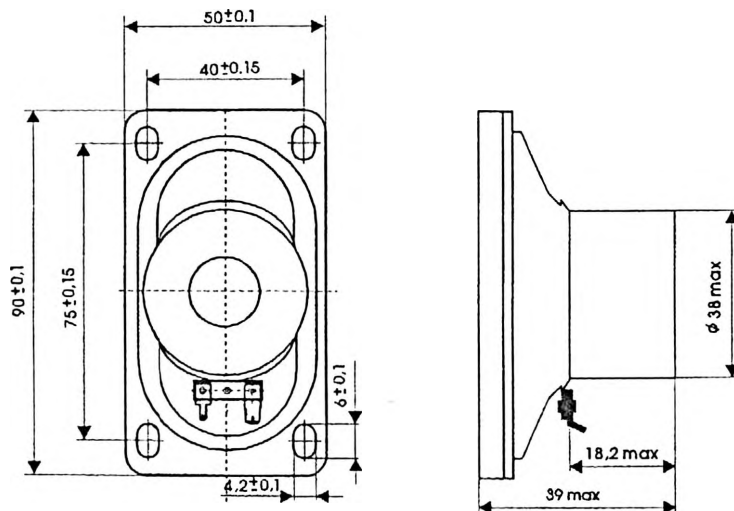
## TECHNICAL DATA

Rated impedance	8	16	Ω
Voice coil resistance	7,2	14,4	Ω
Rated frequency range	120 to 15000		Hz
Resonance frequency	180		Hz
Power handling capacity			
/ loudspeaker unmounted , 100 h continuous /			
Max. power	3		W
Sensitivity	5		W
Flux density	82		dB
Energy in air gap	0,6		T
Air - gap	29,27		mJ
Voice coil height	14/2,5/0,8		mm
Magnet	4,6	5,5	mm
- material	ferrite		
- dimensions	2x32/18/6		mm
- mass	2x0,017		kg
Mass of loudspeaker	0,123		kg

## AVAILABLE VERSIONS

- GD 5-9/3/1 - 8 Ω 9511104801
- GD 5-9/3/1 - 16 Ω 9511104802

Connection is by 5,2x0,5mm and 2,8x0,5mm tag connectors or by soldering.



FREQUENCY RESPONSE CURVE  
Measured in anechoic room at 1W/1m. Loudspeaker mounted on IEC baffle.