

FULL RANGE LOUDSPEAKER GD 13/30

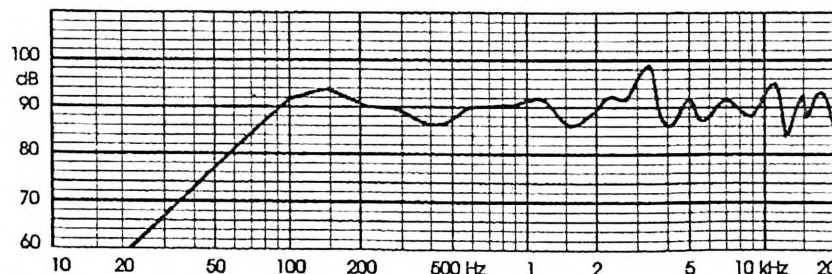
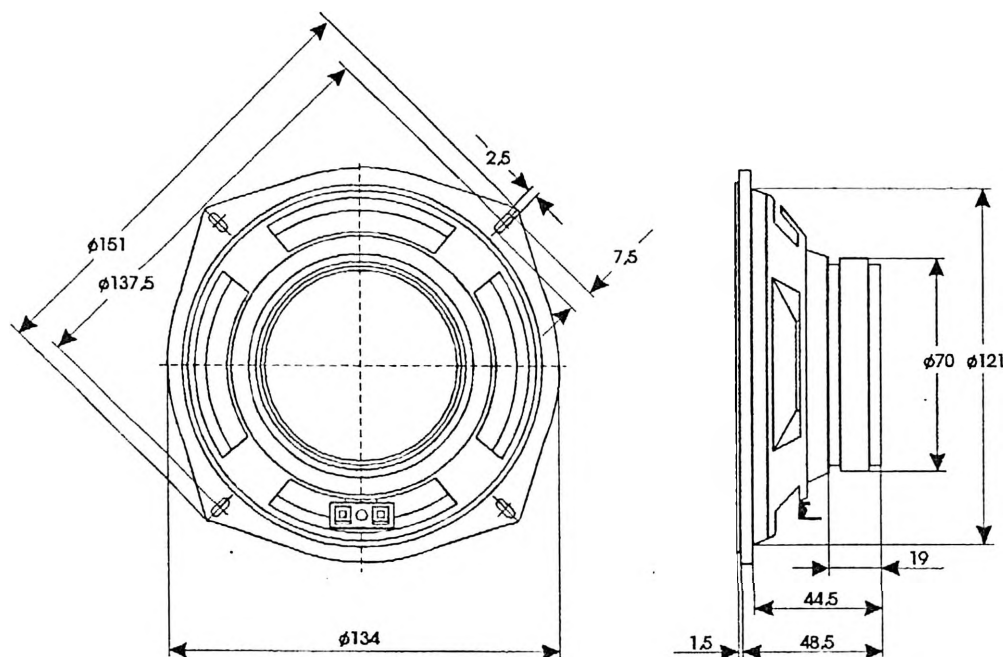
9 5157 076

TECHNICAL DATA

Rated impedance	4	6	Ω
Voice coil resistance	3,4	4,8	Ω
Rated frequency range	55 to 20000		Hz
Resonance frequency	80		Hz
Power handling capacity, /loudspeaker unmouted, 100h continuous/	30		W
Max. power	60		W
Sensitivity	90		dB
Flux density	0,76		T
Energy in air gap	87,4		mJ
Air - gap	25/4,6/1,125		mm
Voice coil height	6,8		mm
Magnet			
- material	ferrite		
- dimensions	70/32/10		mm
- mass	0,151		kg
Mass of loudspeaker	0,51		kg

AVAILABLE VERSIONS

- GD 13/30 - 4 Ω , catalogue number 9 5157 076 02
- GD 13/30 - 6 Ω , catalogue number 9 5157 076 06



FREQUENCY RESPONSE CURVE

Measured in anechoic room at 1W/1m. Loudspeaker mounted on IEC baffle