

FULL RANGE LOUDSPEAKER GD 10/2,5/1

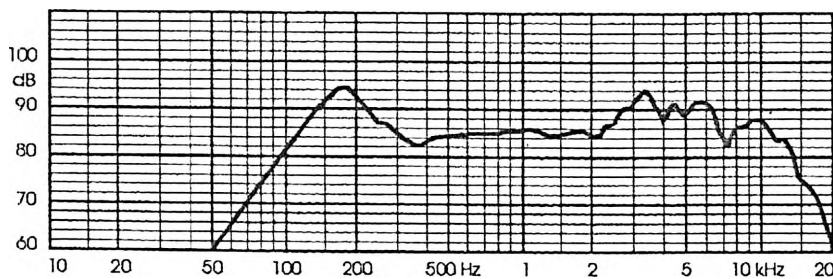
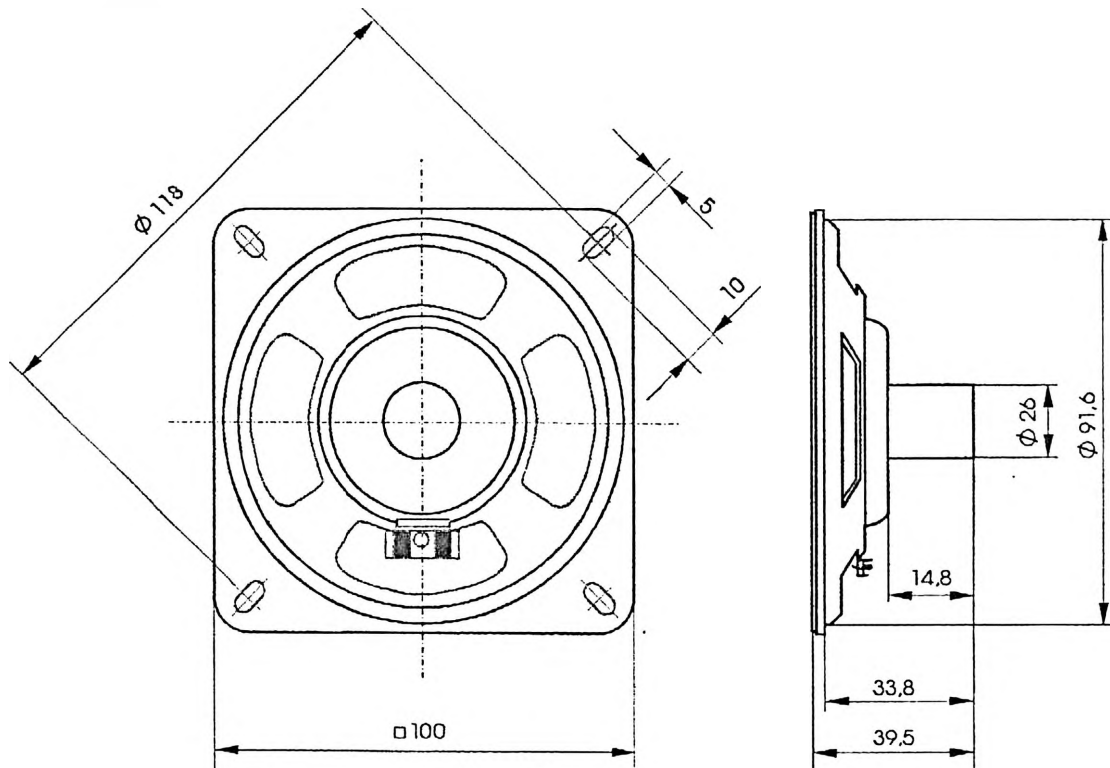
9 5115 034

TECHNICAL DATA

Rated impedance	8 Ω
Voice coil resistance	7 Ω
Rated frequency range	140 to 12000 kHz
Resonance frequency	165 kHz
Power handling capacity, /loudspeaker unmounted, 100 h continuous/	2,5 W
Max power	4 W
Sensitivity	85 dB
Flux density	0,51 T
Energy in air gap	14,6 mJ
Air-gap	14/4,5/0,685 mm
Voice coil height	3,6 mm
Magnet	
- material	cobalt
- dimensions	13,98 x 13 mm
- mass	14,4 x 10 ⁻³ kg
Mass of loudspeaker	0,12 kg

AVAILABLE VERSIONS

- GD 10/2,5/1 -8 Ω , catalogue number 9 5115 034 05



FREQUENCY RESPONSE CURVE

Measured in anechoic room at 1W/1m, Loudspeaker mounted on IEC baffle.