

FR7

Visaton 6.5 cm (2.5") full range speaker

[BACK](#)



General description

6.5 cm (2.5") full-range speaker with minimal mounting depth and small magnet. Balanced frequency response and high efficiency. Very good high range response. Suitable in machines and other equipment where space is at a premium.

Typical applications:

- Narrow network column speakers
- Control speakers for electronic devices
- Model construction
- Electronic musical instruments

Attributes :

- Moisturised cone
- Metal basket

Rated power 5 W

Maximum power 10 W

Nominal impedance 2.4 Ohm

Frequency response 130–20000 Hz

Mean sound pressure level 86 dB (1 W/1 m)

Resonance frequency f_s 220 Hz

Voice coil diameter 14 mm

Cutout diameter 61 mm

Net weight 0,092 kg

D.C. resistance R_{dc} 3,4 Ohm

Mechanical Q factor Q_{ms} 7,05

Electrical Q factor Q_{es} 3,61

Total Q factor Q_{ts} 2,39

Equivalent volume V_{as} 0,4 l

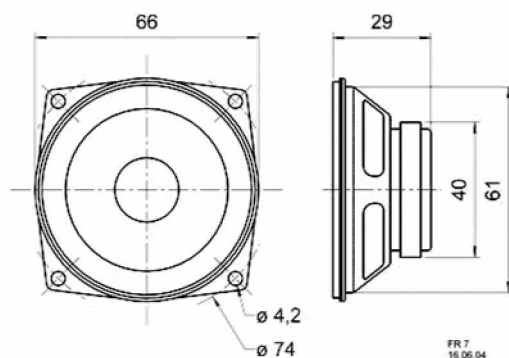
Effective piston area S_d 22 cm²

Dynamically moved mass M_{ms} 1,0 g

Force factor B_{xl} 1,1 T m

Inductance of the voice coil L 0,1 mH

Heat resistance -25 ... 70 °C



drawing

Visaton FR 7 Frequenzgang und Impedanz

