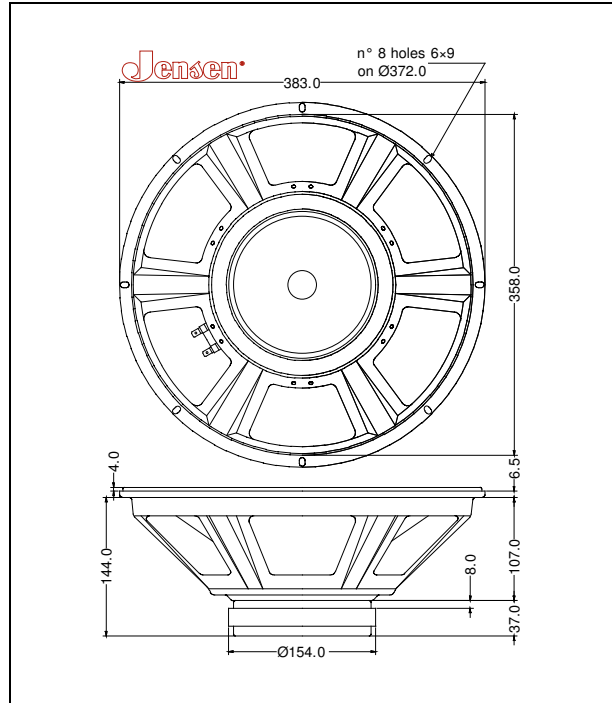


GENERAL CHARACTERISTICS		
Nominal Overall Diameter	385 mm	15 in
Nominal Voice Coil Diameter	50 mm	2.0 in
Magnet Weight	1450 g	50 oz
Overall Weight		11.35 lbs
Flux Density		1.15 T

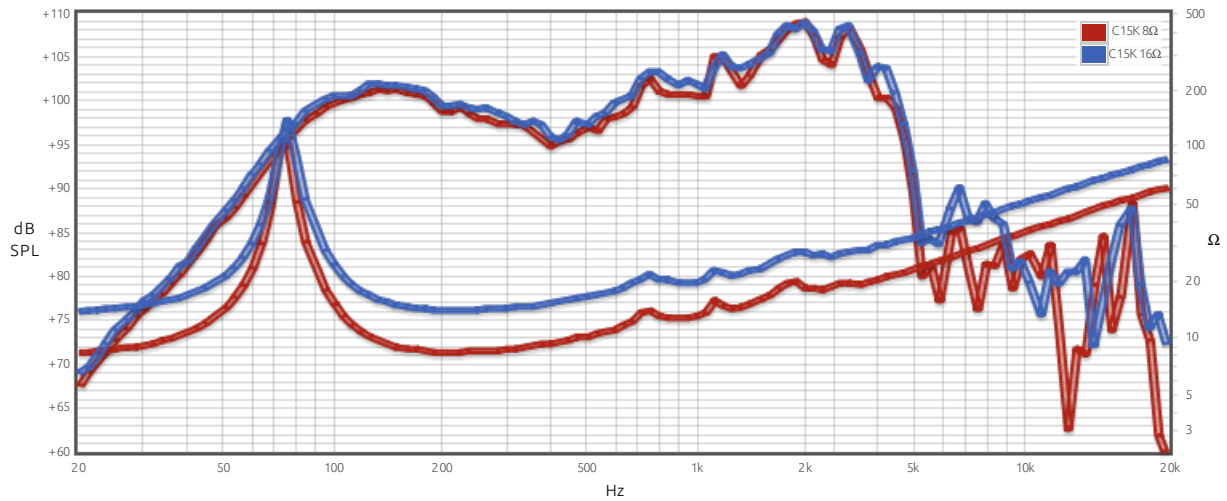
THIELE-SMALL PARAMETERS			
		8 Ω	16 Ω
Voice Coil DC Resistance	R_E	6.7	11.90
Resonance Frequency	f_S	73.0	73.8
Mechanical Q Factor	Q_{MS}	14.39	9.87
Electrical Q Factor	Q_{ES}	0.91	1.05
Total Q Factor	Q_{TS}	0.86	0.95
Mechanical Moving Mass	M_{MS}	43.3	56.1
Mechanical Compliance	C_{MS}	110	82
Force Factor	BxL	12.48	17.21
Equivalent Acoustic Volume	V_{AS}	87.6	66.2
Maximum Linear Displacement	X_{MAX}	1.0	1.0
Reference Efficiency	η_D	3.60	2.47
Diaphragm Area	S_D	754.7	754.8
Losses Electrical Resistance	R_{ES}	110.0	111.8
Voice Coil Inductance @ 1kHz	L_E	0.96	1.28

CONSTRUCTIVE CHARACTERISTICS	
Magnet	Ferrite
Voice Coil Winding	Copper
Voice Coil Former	Kapton
Cone	Paper
Surround	Integrated Paper
Dust Dome	Non Treated Cloth
Basket	Pressed Sheet Steel

ELECTRICAL CHARACTERISTICS		
	8 Ω	16 Ω
Nominal Impedance	8	16
Rated Power	100	100
Musical Power	200	200
Sensitivity@1W,1m	98.0	97.4



Frequency Response on IEC Baffle (DIN 45575) @ 1 W, 1 m - Free Air Impedance



Due to continuing product improvement, the features and the design are subject to change without notice.